

# SIX SPEED

GEARBOX ASSEMBLY



CATERHAM



6 SPEED GEARBOX - EXTERNALS



6 SPEED GEARBOX - EXTERNALS

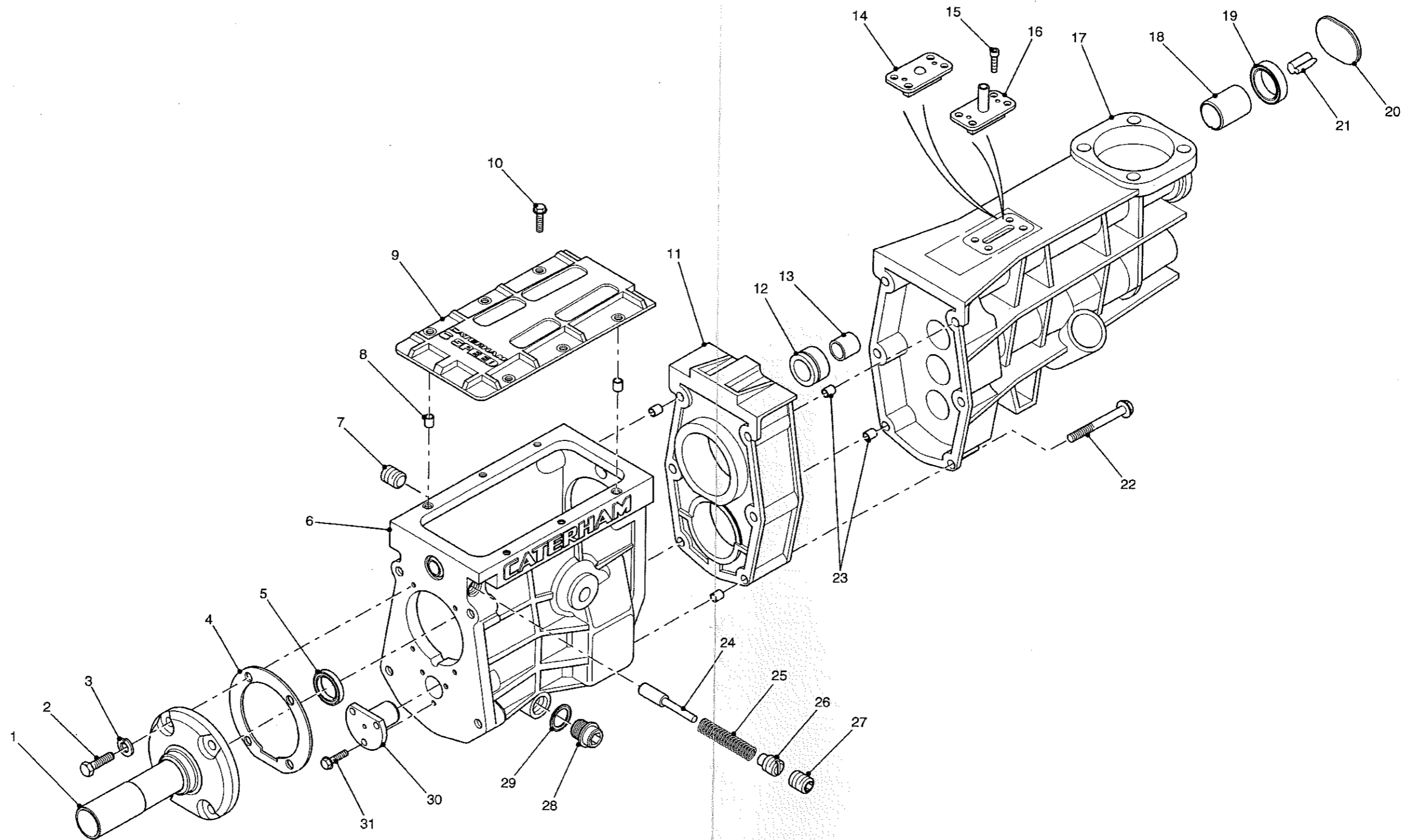
Item No.	Assembly Code	Description	Quantity
		Gearbox - Caterham 6 Speed	
	70000A	GEARBOX FULL ASSY - LONG INPUT SHAFT	
	70000AS	GEARBOX FULL ASSY - STANDARD INPUT SHAFT ROAD	
	70000RA	GEARBOX FULL ASSY - STANDARD INPUT SHAFT RACE	
1	70004C	MACHINED FRONT COVER	1
2	SM6X20	SETSCREW - METRIC	4
3	WSHM6	WASHER - SPRING M6	4
4	1645267	GASKET - NOSE PIECE	1
5	1602036	G' BOX FRONT SEAL	1
6	70000C	MACHINED MAIN CASE	1
7	6147546	OIL FILLER PLUG	1
8	70084	DOWL - LID	2
9	70001C	MACHINED LID	1
10	FS 108165	BOLT M8 LID	6
11	70002C	MACHINED SPACER PLATE	1
12	70020	SEAL - SELECTOR RAIL	1
13	70021	BUSH - SELECTOR	1
14	70085	CENTRALISER & BREATHER - ROAD	1
15	70087	BOLT - M4X12	6
16	70085R	CENTRALISER & BREATHER - RACE	ALT
17	70003C	CASTING - EXTENSION HOUSING	1
18	70007	BUSH REAR OUTPUT	1
19	1590441	OIL SEAL - REAR	1
20	6095056	REAR COVER (PLATE)	1
21	70056	REVERSE STOP	1
22	FB 110181	BOLT - M10	6
23	70091	DOWL - CENTRE PLATE	4
24	70025	DETENT - 5/6 SPEED	1
25	70026	SPRING (DETENT)	1
26	70027	PLUG (DETENT)	1
27	70097	ALLEN PLUG - DETENT PLUNGER	1

Item No.	Assembly Code	Description	Quantity
		Gearbox - Caterham 6 Speed - contd	
28	6118764	DRAIN PLUG	1
29	70086	WASHER (GEARBOX DRAIN)	1
30	70008	LAYSHAFT STUB BEARING	1
31	70068	BOLT M6 LAYSHAFT STUB	3

AR = As Required  
 ALT = Alternative

**6 SPEED GEARBOX - EXTERNALS**

The Caterham logo is a registered trademark of Caterham Cars Ltd.



The illustrations, technical information, data and descriptive text in this issue, to the best of our knowledge, were correct at the time of going to print. The right to change specifications, equipment and instructions at any time, without notice, is reserved as part of the Caterham policy of continuous development and improvement. No liability can be accepted for any inaccuracies or omissions in this publication, although every possible care has been taken to make it as complete and accurate as possible. All rights reserved. No part of this publication may be reproduced without the prior written permission of Caterham Cars Ltd. This document was prepared on behalf of Caterham Cars Ltd by TMS Publications Ltd. 01476 560099.

Issued by :- Caterham Cars Ltd  
 Kennet Road  
 Dartford  
 Kent DA1 4QN  
 01322 625800  
 SPARES DEPT - 01322 625801



6 SPEED GEARBOX - INTERNALS

Item No.	Assembly Code	Description	Quantity
		Gearbox - Caterham 6 Speed	
1	70023	ARM AND PIN	1
2	70031	ROLL PIN FOR 70023	1
3	70022	INTERLOCK	1
4	70047	SPRING - CROSSGATE DETENT	1
4a	70047R	SPRING - CROSSGATE DETENT RACE	1
5	6168432	SELECTOR RAIL	1
6	70029	ROLL PIN - SELECTOR RAIL	1
7	1522783	SADDLE BUSH - SELECTOR	1
8	70093	BOLT (LAYSHAFT)	1
9	70062	BEARING (REAR) LAYSHAFT	1
10	70045R	GEAR (LAYSHAFT THIRD)	1
11	70067	TUBULAR SPACE LAYSHAFT	1
12	70046	GEAR (LAYSHAFT FOURTH)	1
13	70039	CIRCLIP - L.S. CENTRE BRG	1
14	70037	BEARING (CENTRE) LAYSHAFT	1
15	70065U	LAYSHAFT (UPRATED)	1
16	70036	BEARING (FRONT) LAYSHAFT	1
17	70059C	CASTING - SELECTOR (3/4)	1
18	70058C	CASTING - SELECTOR (1/2)	1
19	70060C	CASTING - SELECTOR (5/6)	1
20	70006	CIRCLIP - I. SHAFT & REAR	2
21	70024	CIRCLIP - I. SHAFT BEARING	1
22	70032	BEARING (INPUT SHAFT)	1
23	70063R	INPUT SHAFT	1
23a	70063L	FORD LONG INPUT SHAFT	ALT
24	70018	SYNCHROMESH 3/6 RING	4
25	70035	BEARING (FRONT) MAINSHAFT	1
26	70064	MAINSHAFT	1
27	70076	N. ROLLER 5th GEAR	2
28	70040	GEAR (MAINSHAFT FIFTH)	1
29	70018	SYNCHROMESH 3/6 RING	4
30	70066	SYNCHROMESH HUB OUTER 3/6	2



6 SPEED GEARBOX - INTERNALS

Item No.	Assembly Code	Description	Quantity
		Gearbox - Caterham 6 Speed - contd	
31	70017	CLIP HUB PLATE 3/6	4
32	70057	SYNCHROMESH HUB INNER 5/6	1
33	70016	SYNCRO HUB PLATE 5/6	6
34	70009	CIRCLIP - 5/6th HUB INNER	1
35	70043U	GEAR (MAINSHAFT SECOND)	1
36	70019	SYNCHROMESH RING 1/2	2
37	70071	N. ROLLER 2nd GEAR	2
38	70080	SPLIT RETAINING	2
39	70015	CLIP HUB PLATE 1/2	2
40	70014	SYNCRO HUB PLATE 1/2	3
41	70010	SYNCHROMESH HUB INNER 1/2	1
42	70011	SYNCHROMESH HUB OUTER 1/2	1
43	70061	WOODRUFF KEY - MAINSHAFT	1
44	70019	SYNCHROMESH RING 1/2	2
45	70044	GEAR (MAINSHAFT FIRST)	1
46	70070	N. ROLLER 1st GEAR	2
47	70077	MAINSHAFT BUSH 1st GEAR	1
48	70096	SHIM 15 THOU THICK	AR
48a	70095	SHIM 10 THOU THICK	AR
49	70033	BEARING (CENTRE) MAINSHAFT	1
50	70038	CIRCLIP - M.S. CENTRE BRG	1
51	70083	CIRCLIP - M.S. TO CENTRE	1
52	70049	SPEEDO DRIVE GEAR (5 & 6)	1
53	70081	CIRCLIP - M. SHAFT REAR BRG THRUST	2
54	70094	RETAINER (MAINSHAFT THRUST)	1
55	70006	CIRCLIP - I SHAFT & REAR	2
56	70034	BEARING (REAR) MAINSHAFT	1
57	70078	REAR BEARING THRUST	1
58	70042	GEAR (MAINSHAFT THIRD)	1
59	70018	SYNCHROMESH RING 3/6	4
60	70073	N. ROLLER 3rd GEAR	2



**CATERHAM**

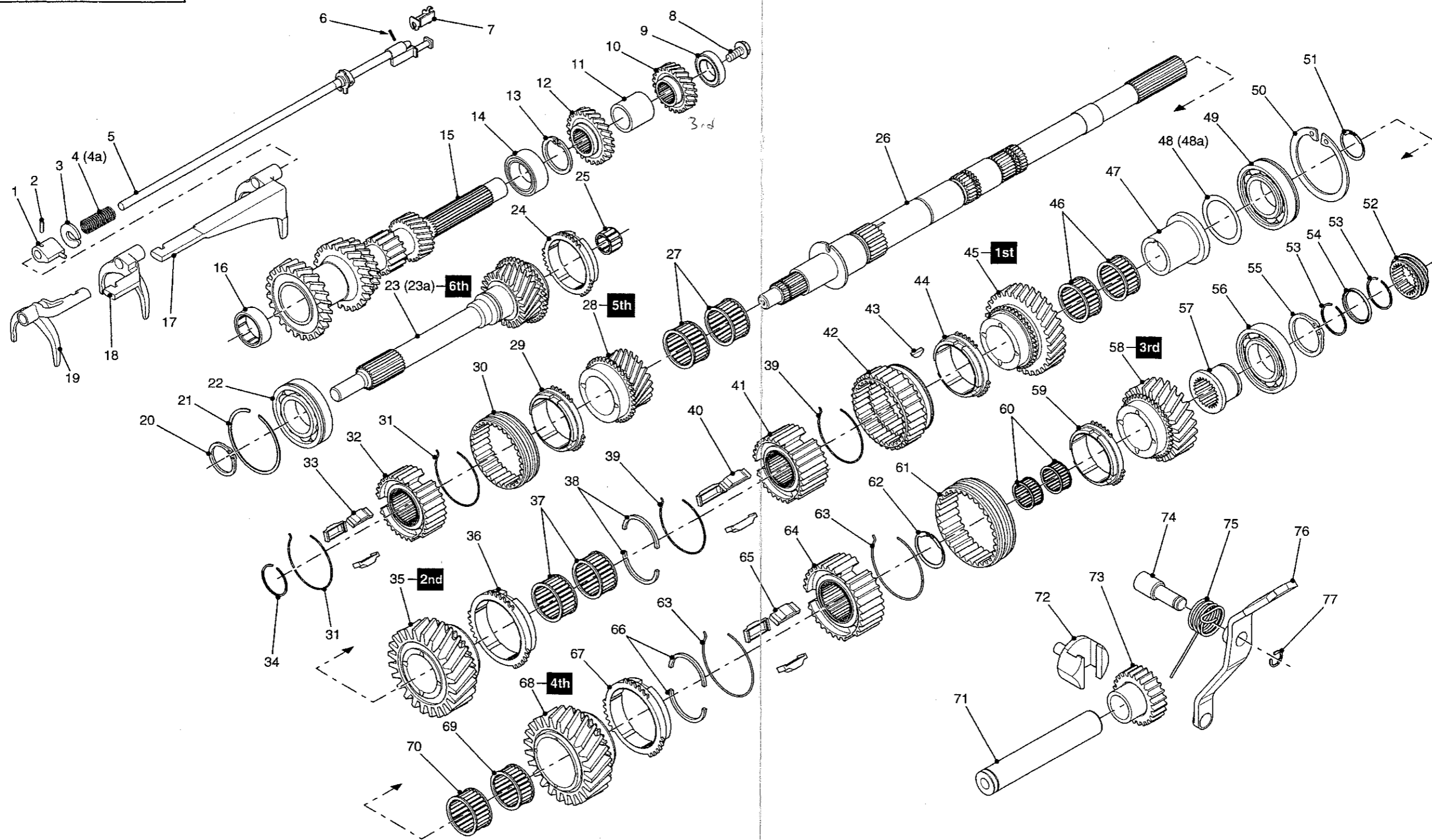
**6 SPEED GEARBOX - INTERNALS**

Item No.	Assembly Code	Description	Quantity
		Gearbox - Caterham 6 Speed - contd	
61	70066	SYNCHROMESH HUB OUTER 3/6	2
62	70082	CIRCLIP - 3/4th SYNCHRO HUB	1
63	70017	CLIP HUB PLATE 3/6	4
64	70013	SYNCHROMESH HUB INNER 3/4	1
65	70016	SYNCHRO HUB PLATE 3/4	6
66	70079	SPLIT RETAINING COLLAR	2
67	70018	SYNCHROMESH RING 3/6	4
68	70041	GEAR (MAINSHAFT FOURTH)	1
69	70074	N. ROLLER 4th GEAR	1
70	70075	N. ROLLER 4th GEAR	1
71	70055	SHAFT - REVERSE IDLER	1
72	70053	FORK (REVERSE GEAR)	1
73	70054	GEAR (REVERSE IDLER)	1
74	70050	REVERSE IDLER PIVOT	1
75	70051	SPRING - REVERSE MECH	1
76	70052	RELAY LEVER (REVERSE)	1
77	1613376	CIRCLIP REVERSE PIVOT	1

AR = As Required  
ALT = Alternative



**6 SPEED GEARBOX - INTERNALS**



The illustrations, technical information, data and descriptive text in this issue, to the best of our knowledge, were correct at the time of going to print. The right to change specifications, equipment and instructions at any time, without notice, is reserved as part of the Caterham policy of continuous development and improvement.

No liability can be accepted for any inaccuracies or omissions in this publication, although every possible care has been taken to make it as complete and accurate as possible.

All rights reserved. No part of this publication may be reproduced without the prior written permission of Caterham Cars Ltd.

This document was prepared on behalf of Caterham Cars Ltd by TMS Publications Ltd. 01476 560099.

Issued by :- Caterham Cars Ltd  
 Kennet Road  
 Dartford  
 Kent DA1 4QN  
 01322 625800  
 SPARES DEPT - 01322 625801