

## Rorty Locost IRS Assembly

This Independent Rear Suspension design breaks no new ground, but is devised specifically for the Lotus Seven style "Locost" sports car as detailed in Ron Champion's book "Build Your Own Sports Car For As Little As £250 – And Race It!"

The hub bearing units, brake discs and callipers etc. are all sourced from a UK Ford Sierra, but many other IRS donors may be suitable, normally only requiring the hub plate and caliper bracket PCD to be altered.

The adjustable links in the lower wishbones get around the problem of exerting undesirable loads on the rod ends and wishbones when the uprights are adjusted away from being parallel to the car's centre line.

Due to their global availability, the design was based around QA1 shocks (part number UR3855B – or UR3855BX for polished), and 7" springs, though a number of other brands of shocks can be substituted.

The clevises and weld eyes for the adjustable links are not as widely distributed, so I included drawings for them in the design.

No warranty is given or implied as to the design's suitability for any purpose. It is as yet unproven in a Locost, but is freely offered for educational and comparative purposes.

Anyone building and driving a car based on this design does so entirely at their own risk.

Due to their propensity to sue anything with a pulse, Americans are explicitly requested not to attempt to construct this assembly either in part or in whole.

I absolve myself from any liability whatsoever.

Bob Frost-Stevenson

[info@rorty-design.com](mailto:info@rorty-design.com)

[www.rorty-design.com](http://www.rorty-design.com)

## RORTY LOCOST IRS FASTENERS LIST

QTY	ITEM	MATERIAL (FINISH)	DIA/SIZE	CLASS/GRADE	LENGTH
12	HEX BOLT	STEEL (ZINC)	M12	CLASS 10.9	65mm
4	HEX BOLT	STEEL (ZINC)	M10	CLASS 10.9	30mm
2	HEX BOLT	STEEL (ZINC)	1/2" X 20 UNF	GRADE 8	1.50"
14	NYLOC NUT	STEEL (ZINC)	M12		
4	NYLOC NUT	STEEL (ZINC)	1/2" X 20 UNC		
2	NYLOC NUT - THIN	STEEL (ZINC)	1/2" X 20 UNF		
6	JAM NUT	STEEL (ZINC)	1/2" X 20 UNF RH		
2	JAM NUT	STEEL (ZINC)	1/2" X 20 UNF LH		
12	HARDENED FLAT WASHER	STEEL (ZINC)	Ø12		
4	HARDENED FLAT WASHER	STEEL (ZINC)	Ø10		
4	HARDENED FLAT WASHER	STEEL (ZINC)	Ø1/2"		

# A3

FIRST ANGLE PROJECTION



THIS DRAWING IS CONFIDENTIAL AND IS SUPPLIED ON THE EXPRESS CONDITION THAT IT SHALL NOT BE LOANED, COPIED OR DISCLOSED TO ANY OTHER PERSON NOR USED FOR ANY OTHER PURPOSE WITHOUT THE WRITTEN CONSENT OF RORTY DESIGN

- UNLESS SPECIFIED OTHERWISE:
1. ALL DIMENSIONS ARE IN MILLIMETERS
  2. REMOVE ALL BURRS & SHARP EDGES
  3. CORNER RADII R0.75
  4. CHAMFER SIZE 0.75 x 45°
  5. CONCENTRICITY 0.05 TIR

UNLESS SPECIFIED OTHERWISE: TOLERANCES ANGULAR ± 0.5°

.X ± 0.5  
.XX ± 0.25  
.XXX ± 0.125



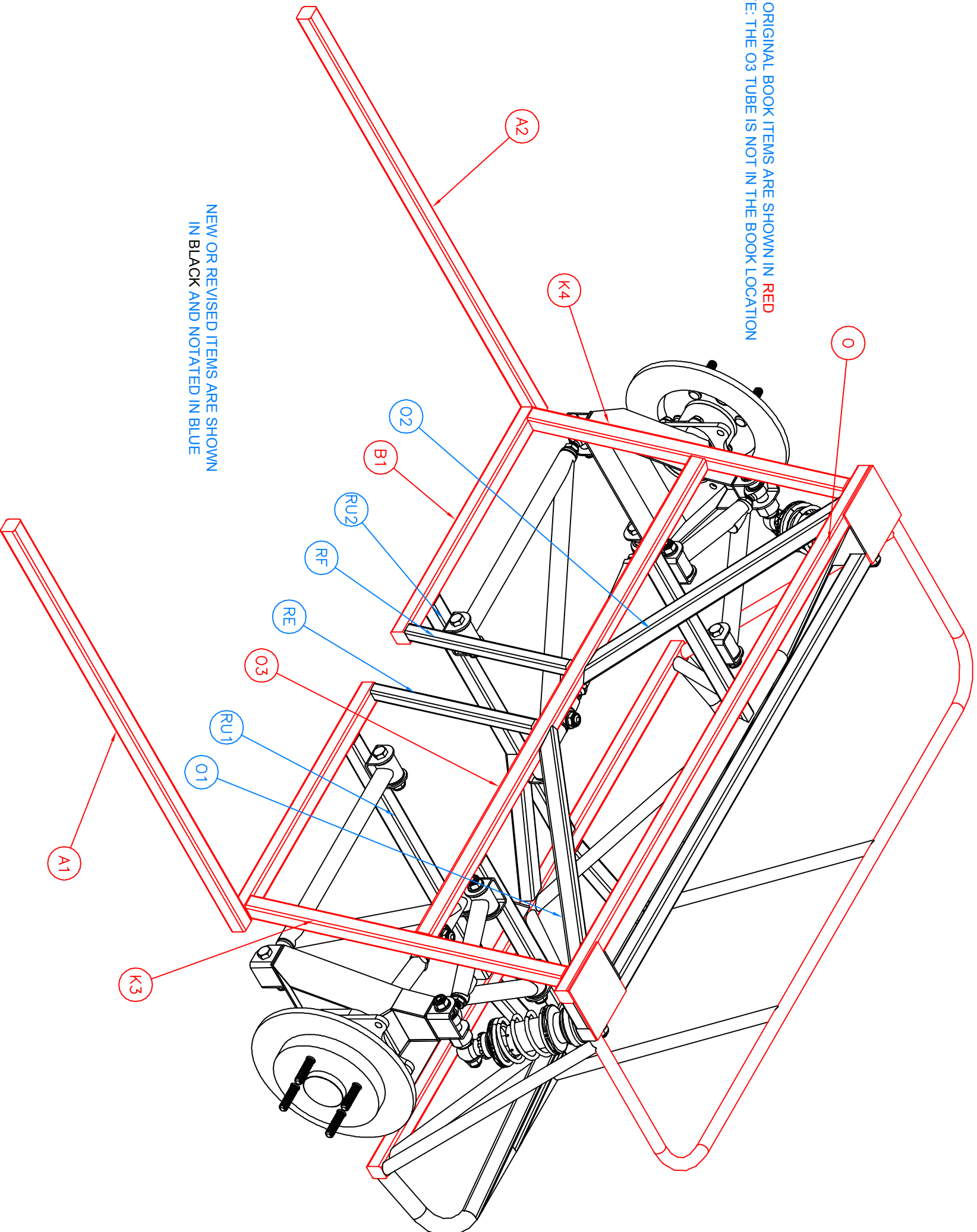
RORTY DESIGN  
 PO BOX 13270  
 LAW COURTS  
 MELBOURNE  
 VIC 8010  
 AUSTRALIA

info@rorty-design.com  
 www.rorty-design.com

REV No.	DATE & No	REVISIONS	ZONE

ORIGINAL BOOK ITEMS ARE SHOWN IN RED  
NOTE: THE O3 TUBE IS NOT IN THE BOOK LOCATION

NEW OR REVISED ITEMS ARE SHOWN IN BLACK AND NOTATED IN BLUE



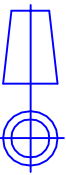
SCALE	SHEET
DRAWN R-F-S	DATE 27.10.05
TITLE LOCOST IRS	

IRS - FRONT VIEW

DRG No RDLIRS 01

# A3

FIRST ANGLE PROJECTION



THIS DRAWING IS CONFIDENTIAL AND IS SUPPLIED ON THE EXPRESS CONDITION THAT IT SHALL NOT BE LOANED, COPIED OR DISCLOSED TO ANY OTHER PERSON NOR USED FOR ANY OTHER PURPOSE WITHOUT THE WRITTEN CONSENT OF RORTY DESIGN

- UNLESS SPECIFIED OTHERWISE:
1. ALL DIMENSIONS ARE IN MILLIMETERS
  2. REMOVE ALL BURRS & SHARP EDGES
  3. CORNER RADII R0.75
  4. CHAMFER SIZE 0.75 x 45°
  5. CONCENTRICITY 0.05 TIR

UNLESS SPECIFIED OTHERWISE: TOLERANCES ANGULAR ± 0.5°

X ± 0.5  
.XX ± 0.25  
.XXX ± 0.125

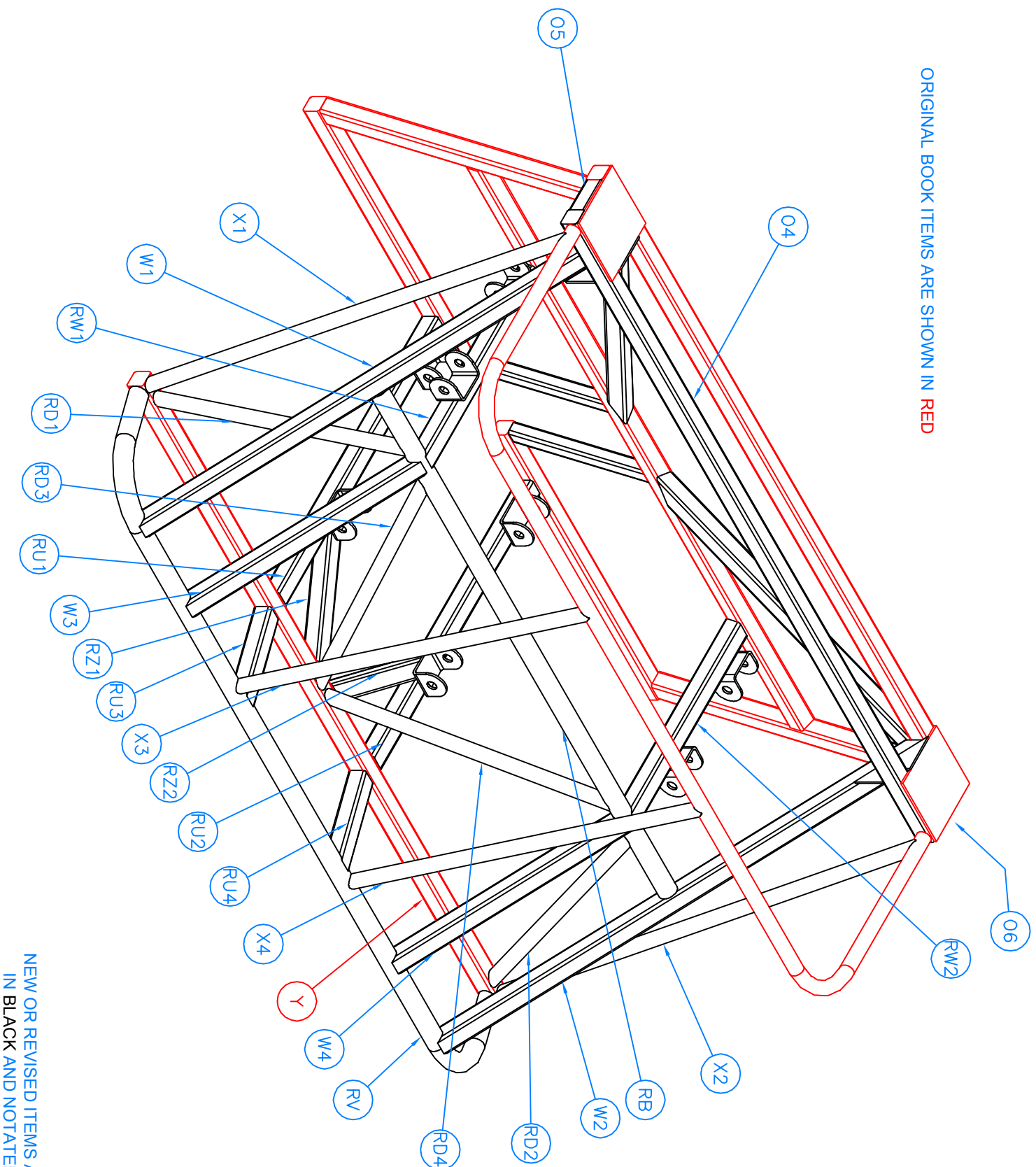


RORTY DESIGN  
 PO BOX 13270  
 LAW COURTS  
 MELBOURNE  
 VIC 8010  
 AUSTRALIA

info@rorty-design.com  
 www.rorty-design.com

REV No.	DATE & No	REVISIONS	ZONE

ORIGINAL BOOK ITEMS ARE SHOWN IN RED



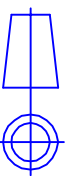
NEW OR REVISED ITEMS ARE SHOWN IN BLACK AND NOTATED IN BLUE

SCALE	SHEET
DRAWN R-F-S	DATE 27.10.05
TITLE LOCOST IRS	

IRS - REAR VIEW

DRG No RDLIRS 02

# A3



FIRST ANGLE PROJECTION

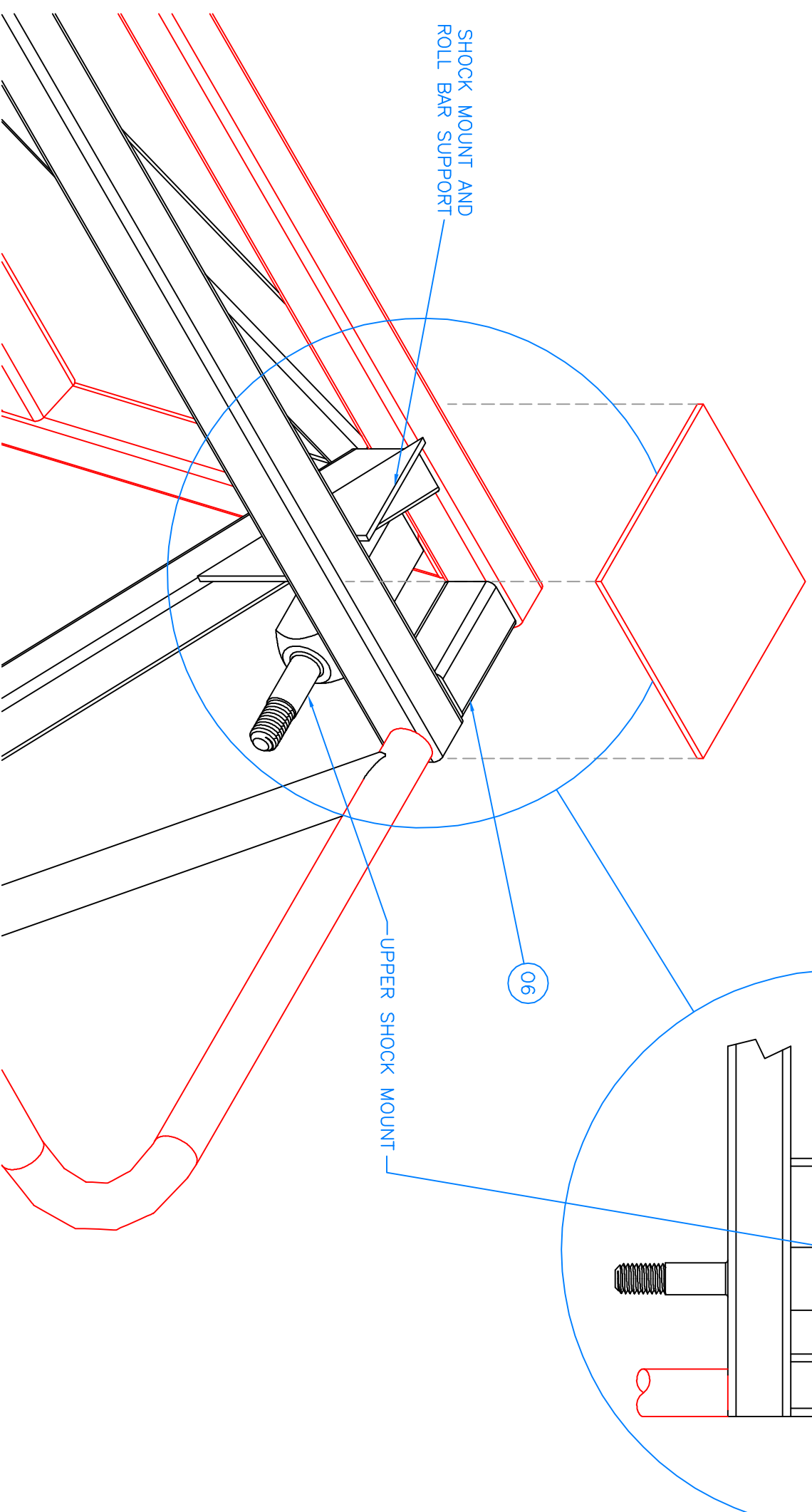
THIS DRAWING IS CONFIDENTIAL AND IS SUPPLIED ON THE EXPRESS CONDITION THAT IT SHALL NOT BE LOANED, COPIED OR DISCLOSED TO ANY OTHER PERSON NOR USED FOR ANY OTHER PURPOSE WITHOUT THE WRITTEN CONSENT OF RORTY DESIGN

UNLESS SPECIFIED OTHERWISE: TOLERANCES ANGULAR  $\pm 0.5^\circ$

$\times \pm 0.5$   
 $.XX \pm 0.25$   
 $.XXX \pm 0.125$

- UNLESS SPECIFIED OTHERWISE:
1. ALL DIMENSIONS ARE IN MILLIMETERS
  2. REMOVE ALL BURRS & SHARP EDGES
  3. CORNER RADII R0.75
  4. CHAMFER SIZE 0.75 x 45°
  5. CONCENTRICITY 0.05 TIR

ORIGINAL BOOK ITEMS ARE SHOWN IN RED  
NEW OR REVISED ITEMS ARE SHOWN IN  
BLACK AND NOTATED IN BLUE



RORTY DESIGN  
PO BOX 13270  
LAW COURTS  
MELBOURNE  
VIC 8010  
AUSTRALIA

info@rorty-design.com  
www.rorty-design.com

REV No.	REVISIONS		ZONE
	DATE & No		

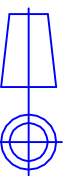
SCALE	SHEET
DRAWN R-F-S	DATE 27.10.05
TITLE LOCOST IRS	

UPPER SHOCK MOUNT  
DETAIL

DRG No RDLIRS 03

# A3

FIRST ANGLE PROJECTION



THIS DRAWING IS CONFIDENTIAL AND IS SUPPLIED ON THE EXPRESS CONDITION THAT IT SHALL NOT BE LOANED, COPIED OR DISCLOSED TO ANY OTHER PERSON NOR USED FOR ANY OTHER PURPOSE WITHOUT THE WRITTEN CONSENT OF RORTY DESIGN

- UNLESS SPECIFIED OTHERWISE:
1. ALL DIMENSIONS ARE IN MILLIMETERS
  2. REMOVE ALL BURRS & SHARP EDGES
  3. CORNER RADII R0.75
  4. CHAMFER SIZE 0.75 x 45°
  5. CONCENTRICITY 0.05 TIR

UNLESS SPECIFIED OTHERWISE: TOLERANCES

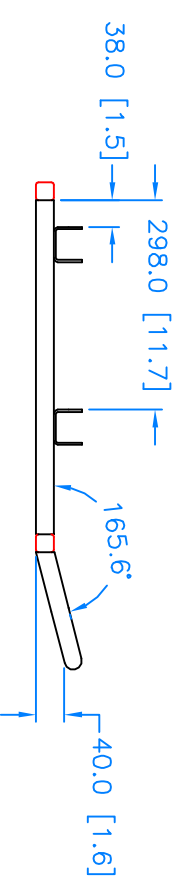
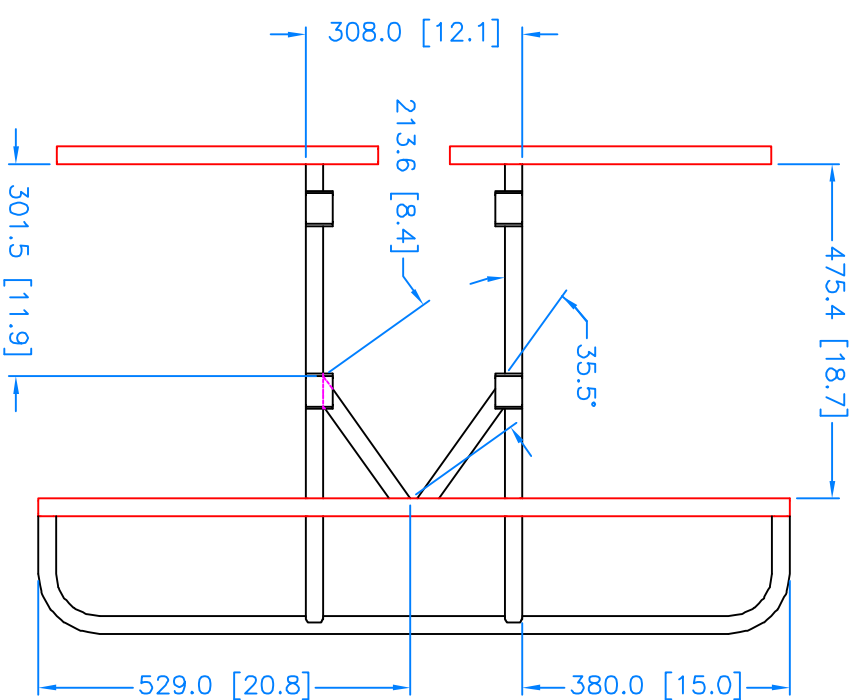
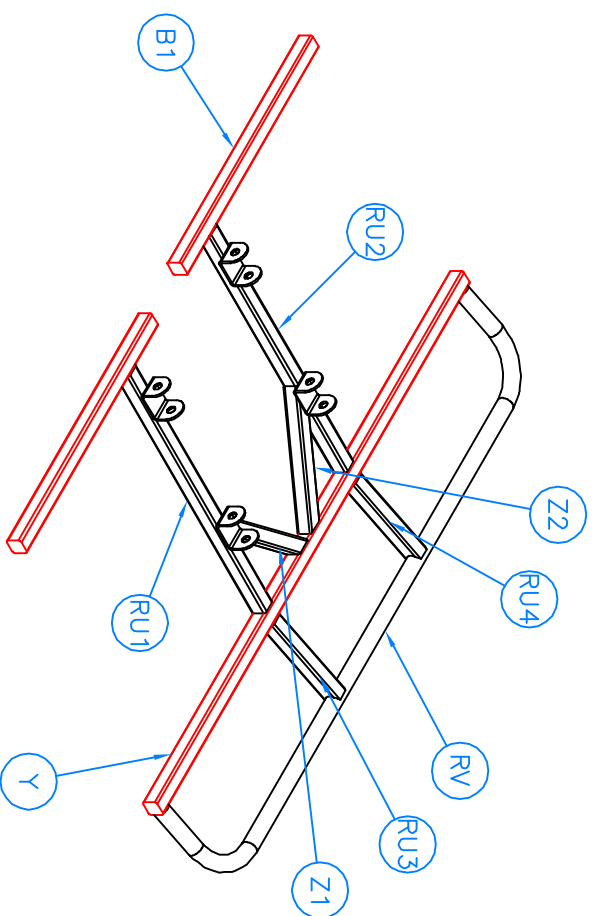
.X ± 0.5  
.XX ± 0.25  
.XXX ± 0.125



RORTY DESIGN  
PO BOX 13270  
LAW COURTS  
MELBOURNE  
VIC 8010  
AUSTRALIA

info@rorty-design.com  
www.rorty-design.com

REV No.	DATE & No	REVISIONS	ZONE



ORIGINAL BOOK ITEMS ARE SHOWN IN RED  
NEW OR REVISED ITEMS ARE SHOWN  
IN BLACK AND NOTATED IN BLUE

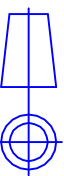
SCALE	10:1	SHEET
DRAWN	R F-S	DATE 27.10.05
TITLE	LOCOST IRS	

REAR CHASSIS BASE

DRG No RDLIRS 04

# A3

FIRST ANGLE PROJECTION



THIS DRAWING IS CONFIDENTIAL AND IS SUPPLIED ON THE EXPRESS CONDITION THAT IT SHALL NOT BE LOANED, COPIED OR DISCLOSED TO ANY OTHER PERSON NOR USED FOR ANY OTHER PURPOSE WITHOUT THE WRITTEN CONSENT OF RORTY DESIGN

- UNLESS SPECIFIED OTHERWISE:
1. ALL DIMENSIONS ARE IN MILLIMETERS
  2. REMOVE ALL BURRS & SHARP EDGES
  3. CORNER RADII R0.75
  4. CHAMFER SIZE 0.75 x 45°
  5. CONCENTRICITY 0.05 TIR

UNLESS SPECIFIED OTHERWISE: TOLERANCES ANGULAR ± 0.5°

.X ± 0.5  
.XX ± 0.25  
.XXX ± 0.125

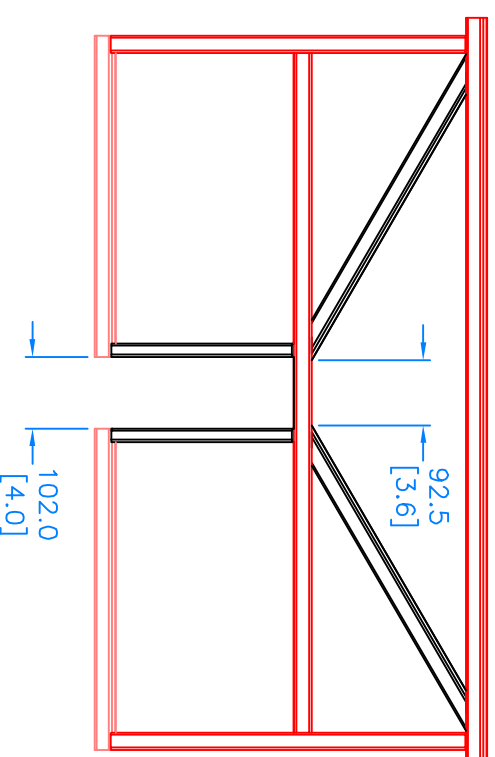
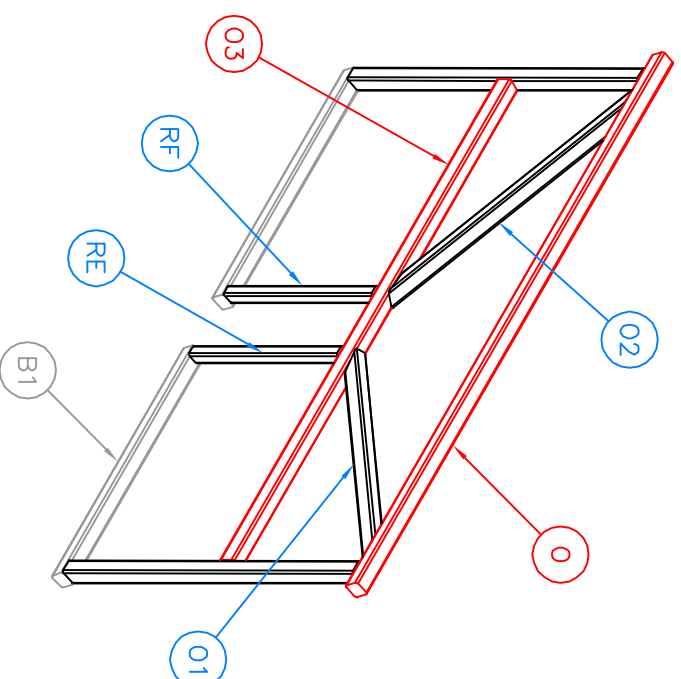


RORTY DESIGN  
PO BOX 13270  
LAW COURTS  
MELBOURNE  
VIC 8010  
AUSTRALIA

info@rorty-design.com  
www.rorty-design.com

REV No.	DATE & No	REVISIONS	ZONE

ORIGINAL BOOK ITEMS ARE SHOWN IN RED  
NOTE: THE O3 TUBE IS NOT IN THE BOOK LOCATION  
NEW OR REVISED ITEMS ARE SHOWN  
IN BLACK AND NOTATED IN BLUE



SCALE	10:1	SHEET
DRAWN	R F-S	DATE 27.10.05
TITLE	LOCOST IRS	

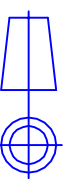
REAR BULKHEAD

DRG No RDLIRS 05



# A3

FIRST ANGLE PROJECTION



THIS DRAWING IS CONFIDENTIAL AND IS SUPPLIED ON THE EXPRESS CONDITION THAT IT SHALL NOT BE LOANED, COPIED OR DISCLOSED TO ANY OTHER PERSON NOR USED FOR ANY OTHER PURPOSE WITHOUT THE WRITTEN CONSENT OF RORTY DESIGN

- UNLESS SPECIFIED OTHERWISE:
1. ALL DIMENSIONS ARE IN MILLIMETERS
  2. REMOVE ALL BURRS & SHARP EDGES
  3. CORNER RADII R0.75
  4. CHAMFER SIZE 0.75 x 45°
  5. CONCENTRICITY 0.05 TIR

UNLESS SPECIFIED OTHERWISE: TOLERANCES ANGULAR ± 0.5°

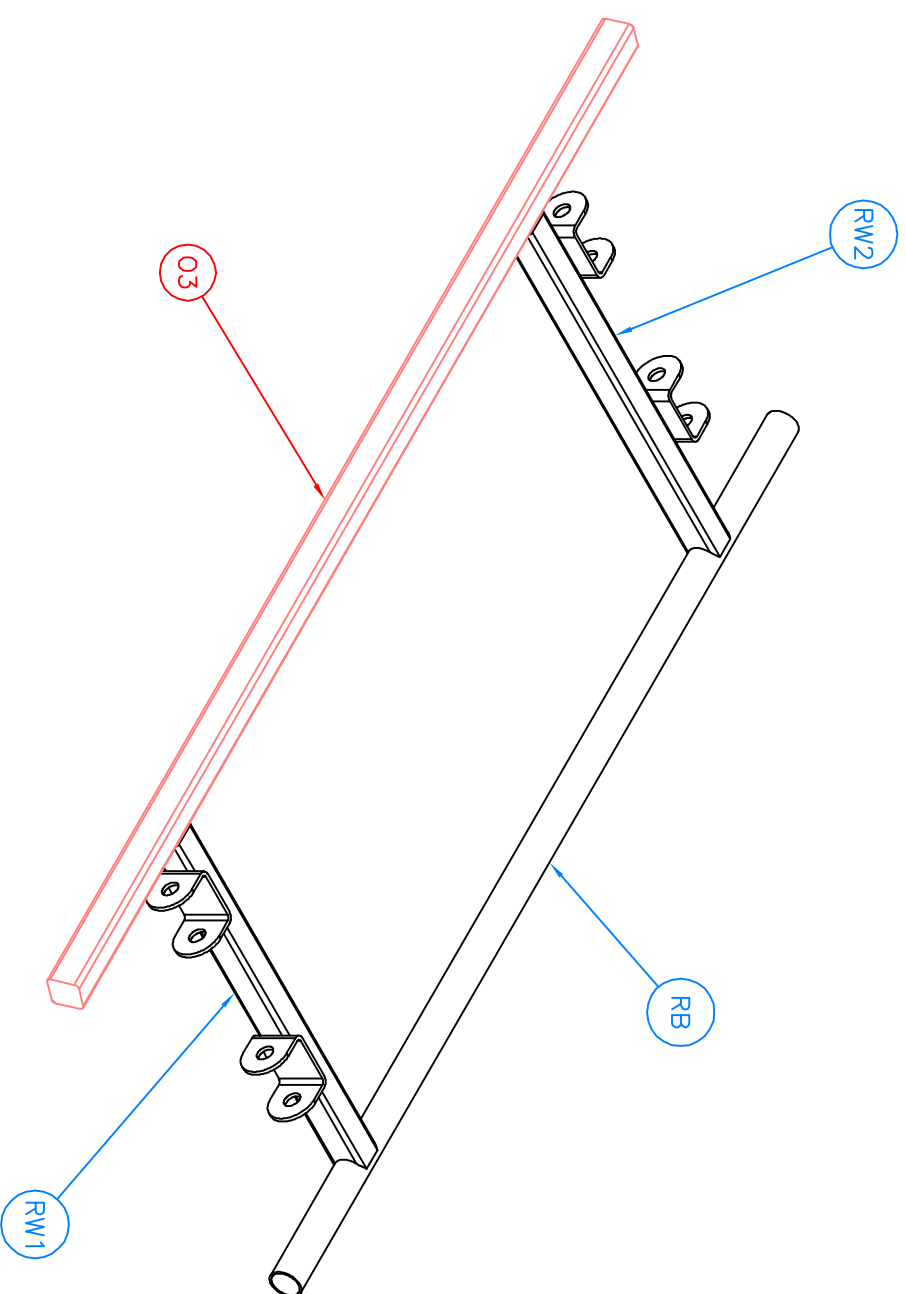
.X ± 0.5  
.XX ± 0.25  
.XXX ± 0.125



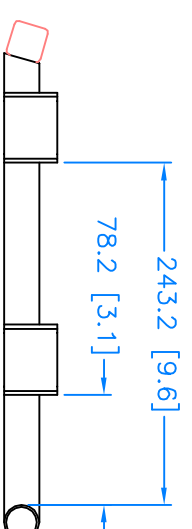
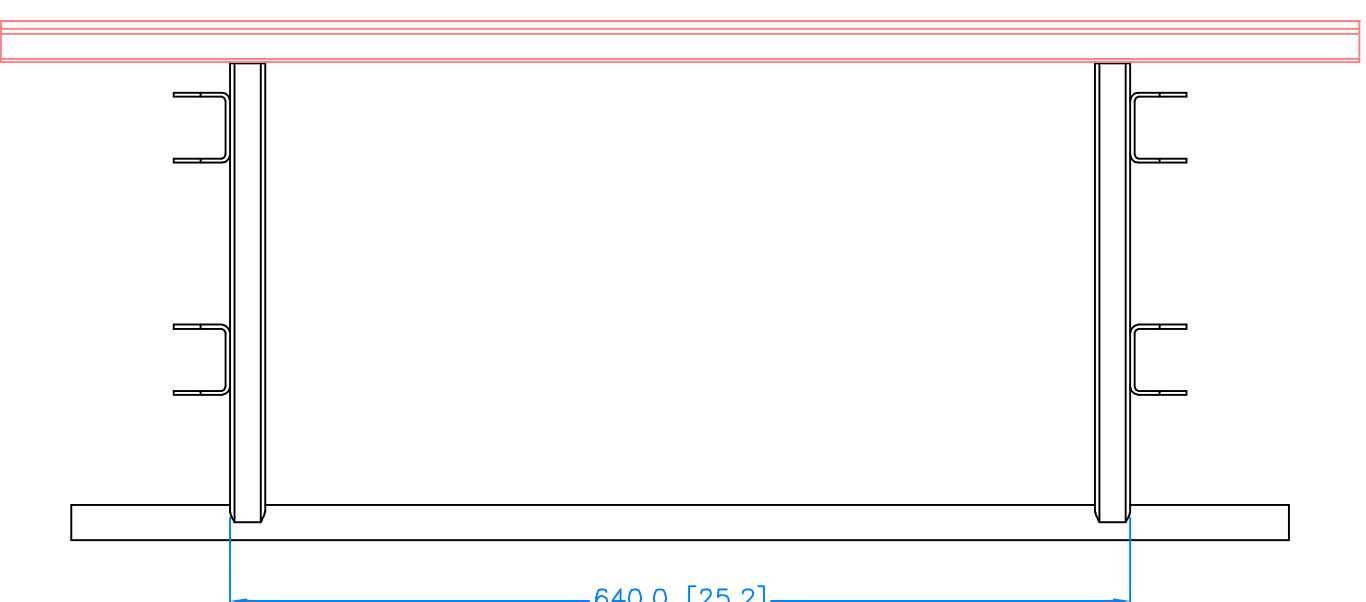
RORTY DESIGN  
 PO BOX 13270  
 LAW COURTS  
 MELBOURNE  
 VIC 8010  
 AUSTRALIA

info@rorty-design.com  
 www.rorty-design.com

REV No.	DATE & No	REVISIONS	ZONE



ORIGINAL BOOK ITEMS ARE SHOWN IN RED  
 NEW OR REVISED ITEMS ARE SHOWN  
 IN BLACK AND NOTATED IN BLUE



SCALE	5:1	SHEET
DRAWN	R-F-S	DATE 27.10.05
TITLE	LOCOST IRS	

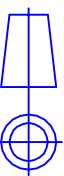
UPPER WISHBONE  
 FRAME

DRG No RDLIRS 06



# A3

FIRST ANGLE PROJECTION



THIS DRAWING IS CONFIDENTIAL AND IS SUPPLIED ON THE EXPRESS CONDITION THAT IT SHALL NOT BE LOANED, COPIED OR DISCLOSED TO ANY OTHER PERSON NOR USED FOR ANY OTHER PURPOSE WITHOUT THE WRITTEN CONSENT OF RORTY DESIGN

- UNLESS SPECIFIED OTHERWISE:
1. ALL DIMENSIONS ARE IN MILLIMETERS
  2. REMOVE ALL BURRS & SHARP EDGES
  3. CORNER RADII R0.75
  4. CHAMFER SIZE 0.75 x 45°
  5. CONCENTRICITY 0.05 TIR

UNLESS SPECIFIED OTHERWISE: TOLERANCES ANGULAR ± 0.5°

.X ± 0.5  
.XX ± 0.25  
.XXX ± 0.125

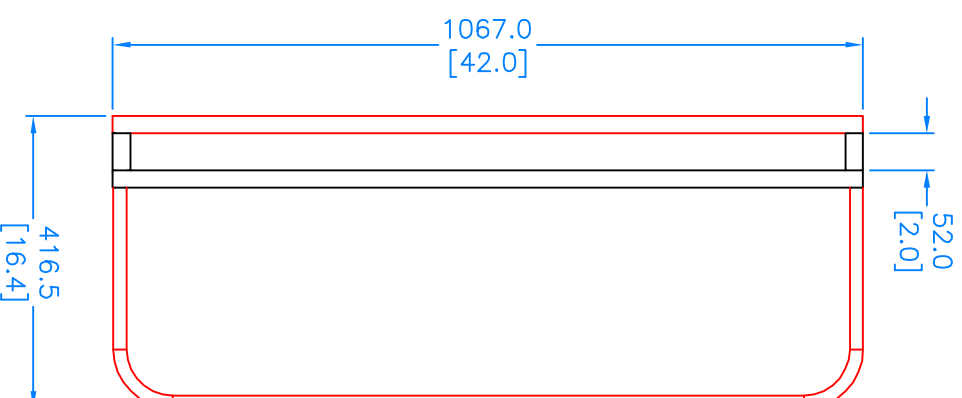
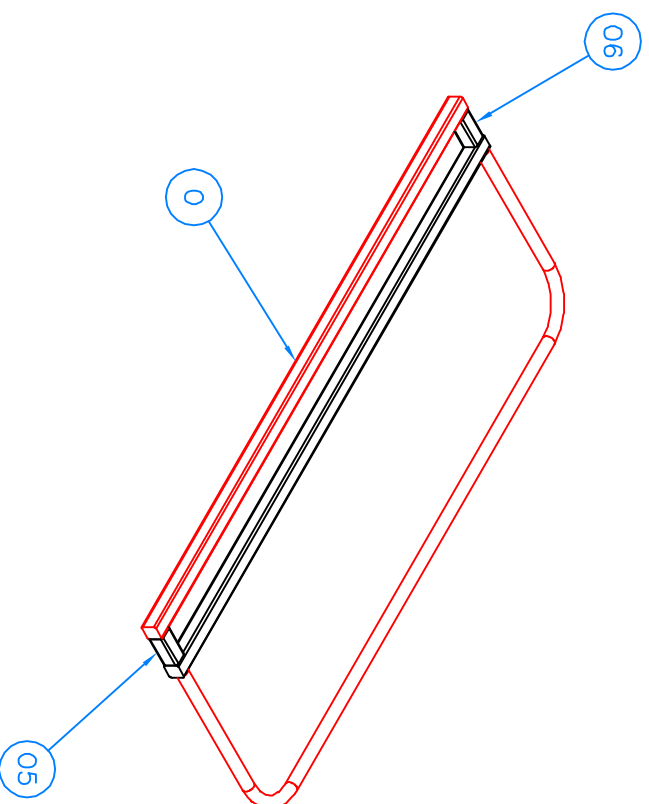


RORTY DESIGN  
 PO BOX 13270  
 LAW COURTS  
 MELBOURNE  
 VIC 8010  
 AUSTRALIA

info@rorty-design.com  
 www.rorty-design.com

REVISIONS		
REV No.	DATE & No	ZONE

ORIGINAL BOOK ITEMS ARE SHOWN IN RED  
 NEW OR REVISED ITEMS ARE SHOWN  
 IN BLACK AND NOTATED IN BLUE

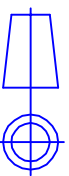


SCALE	10:1	SHEET
DRAWN	R F-S	DATE 27.10.05
TITLE	LOCOST IRS	

UPPER REAR FRAME

DRG No RDLIRS 07

# A3



FIRST ANGLE PROJECTION

THIS DRAWING IS CONFIDENTIAL AND IS SUPPLIED ON THE EXPRESS CONDITION THAT IT SHALL NOT BE LOANED, COPIED OR DISCLOSED TO ANY OTHER PERSON NOR USED FOR ANY OTHER PURPOSE WITHOUT THE WRITTEN CONSENT OF RORTY DESIGN

- UNLESS SPECIFIED OTHERWISE:
1. ALL DIMENSIONS ARE IN MILLIMETERS
  2. REMOVE ALL BURRS & SHARP EDGES
  3. CORNER RADIUS R0.75
  4. CHAMFER SIZE 0.75 x 45°
  5. CONCENTRICITY 0.05 TIR

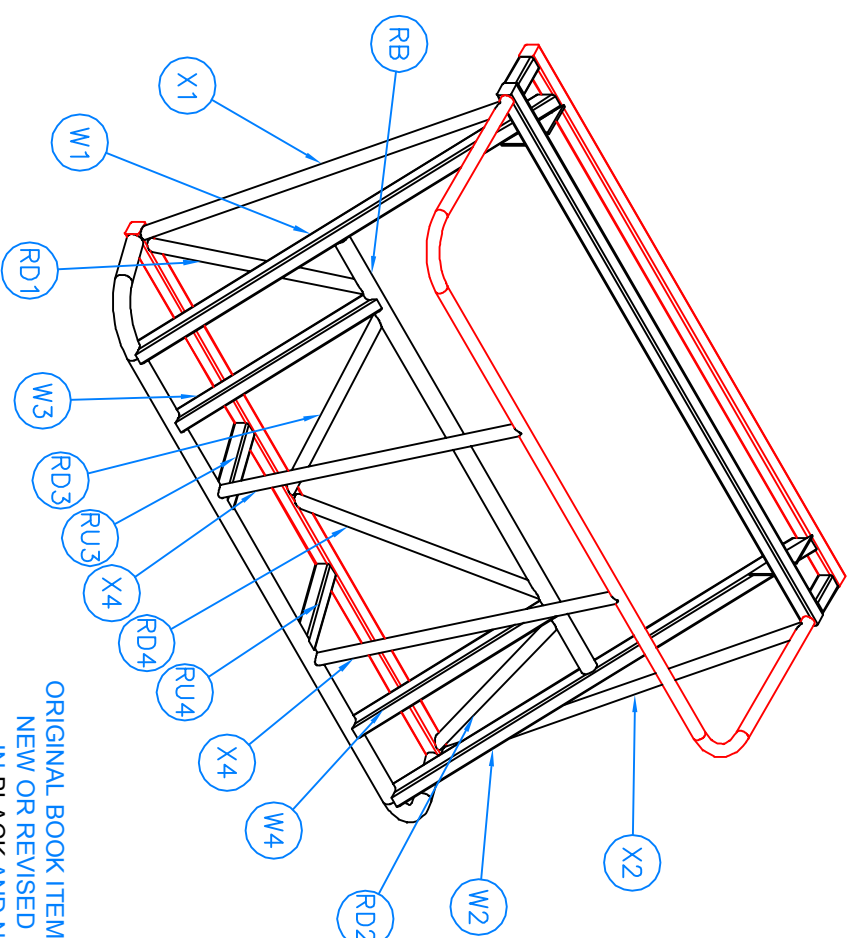
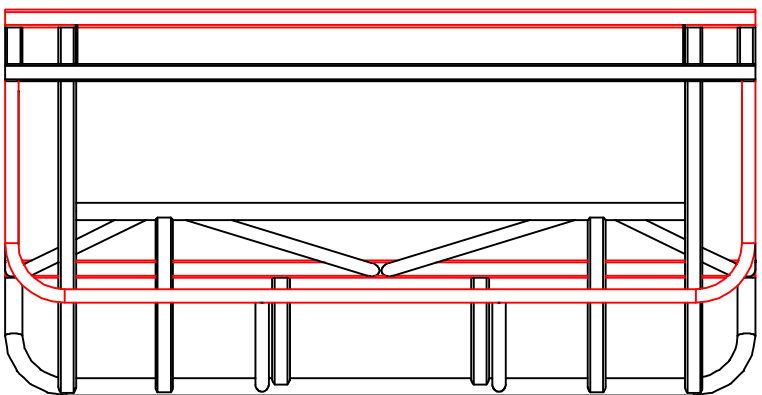
UNLESS SPECIFIED OTHERWISE: TOLERANCES

.X ± 0.5  
.XX ± 0.25  
.XXX ± 0.125

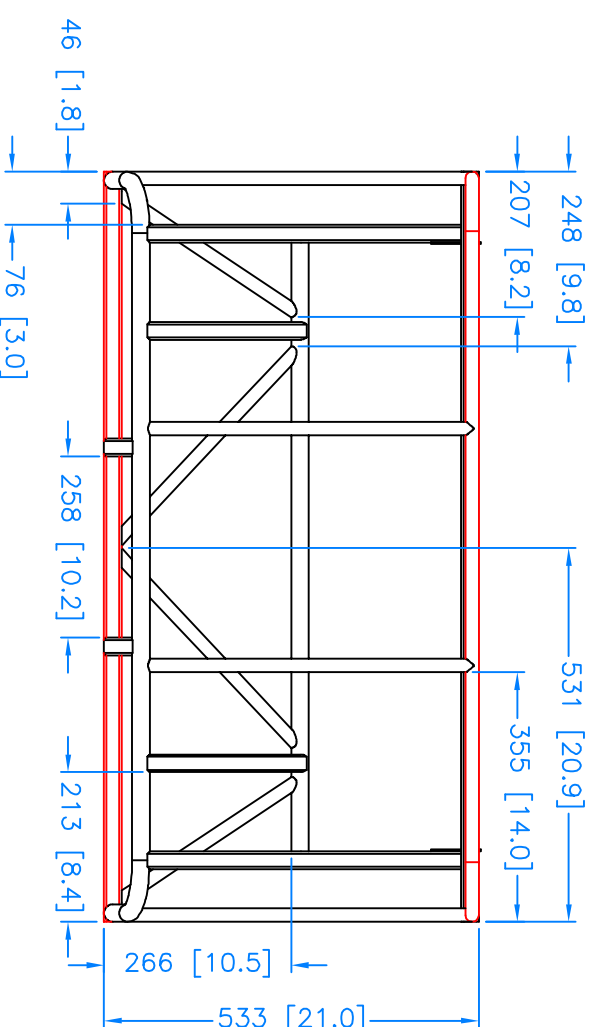
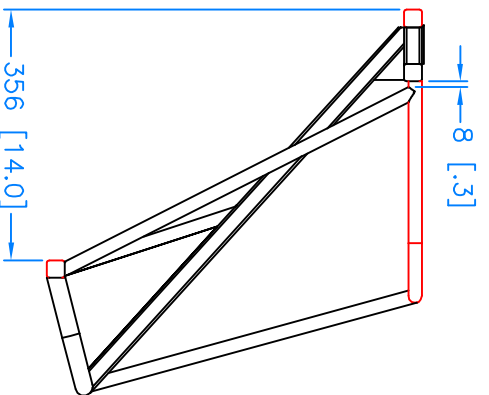


RORTY DESIGN  
PO BOX 13270  
LAW COURTS  
MELBOURNE  
VIC 8010  
AUSTRALIA  
info@rorty-design.com  
www.rorty-design.com

REV No.	DATE & No	REVISIONS	ZONE



ORIGINAL BOOK ITEMS ARE SHOWN IN RED  
NEW OR REVISED ITEMS ARE SHOWN  
IN BLACK AND NOTATED IN BLUE



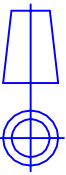
DRG No RDLIRS 08

REAR CHASSIS BRACING

SCALE	10:1	SHEET
DRAWN	R-F-S	DATE 27.10.05
TITLE	LOCOST IRS	

# A3

FIRST ANGLE PROJECTION



THIS DRAWING IS CONFIDENTIAL AND IS SUPPLIED ON THE EXPRESS CONDITION THAT IT SHALL NOT BE LOANED, COPIED OR DISCLOSED TO ANY OTHER PERSON NOR USED FOR ANY OTHER PURPOSE WITHOUT THE WRITTEN CONSENT OF RORTY DESIGN

- UNLESS SPECIFIED OTHERWISE:
1. ALL DIMENSIONS ARE IN MILLIMETERS
  2. REMOVE ALL BURRS & SHARP EDGES
  3. CORNER RADII R0.75
  4. CHAMFER SIZE 0.75 x 45°
  5. CONCENTRICITY 0.05 TIR

UNLESS SPECIFIED OTHERWISE: TOLERANCES ANGULAR ± 0.5°

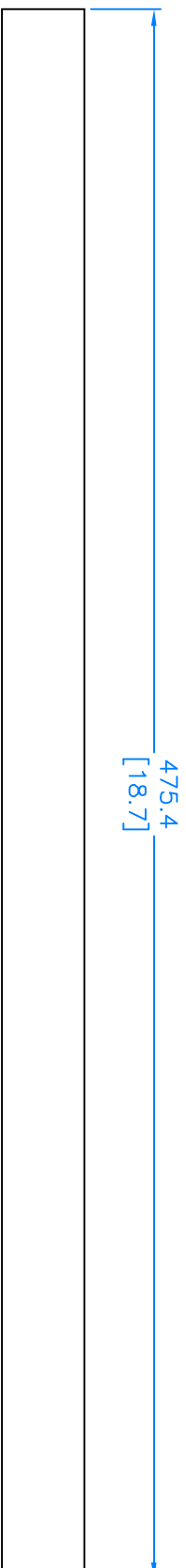
.X ± 0.5  
.XX ± 0.25  
.XXX ± 0.125



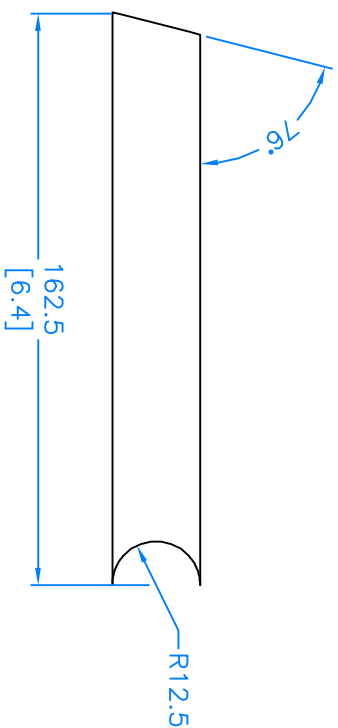
RORTY DESIGN  
 PO BOX 13270  
 LAW COURTS  
 MELBOURNE  
 VIC 8010  
 AUSTRALIA

info@rorty-design.com  
 www.rorty-design.com

REVISIONS		
REV No.	DATE & No	ZONE



RU1 & RU2



RU3 & RU4

MATERIAL: 25 X 25 X 1.5 [1.0 X 1.0 X .065] SHS

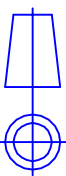
SCALE	2:1	SHEET
DRAWN	R F-S	DATE 27.10.05
TITLE	LOCOST IRS	

TUBES RU1-4

DRG No RDLIRS 09

# A3

FIRST ANGLE PROJECTION



THIS DRAWING IS CONFIDENTIAL AND IS SUPPLIED ON THE EXPRESS CONDITION THAT IT SHALL NOT BE LOANED, COPIED OR DISCLOSED TO ANY OTHER PERSON NOR USED FOR ANY OTHER PURPOSE WITHOUT THE WRITTEN CONSENT OF RORTY DESIGN

- UNLESS SPECIFIED OTHERWISE:
- 1. ALL DIMENSIONS ARE IN MILLIMETERS
  - 2. REMOVE ALL BURRS & SHARP EDGES
  - 3. CORNER RADII R0.75
  - 4. CHAMFER SIZE 0.75 x 45°
  - 5. CONCENTRICITY 0.05 TIR

UNLESS SPECIFIED OTHERWISE: TOLERANCES ANGULAR ± 0.5°

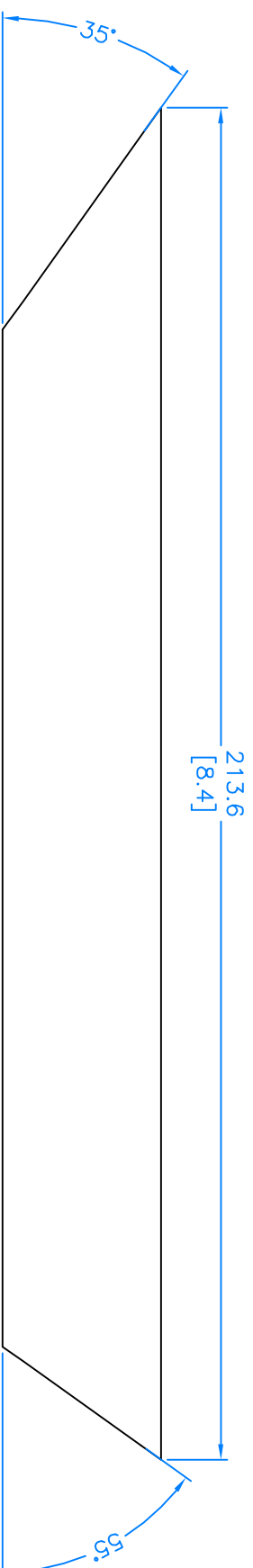
.X ± 0.5  
.XX ± 0.25  
.XXX ± 0.125



RORTY DESIGN  
 PO BOX 13270  
 LAW COURTS  
 MELBOURNE  
 VIC 8010  
 AUSTRALIA

info@rorty-design.com  
 www.rorty-design.com

REVISIONS		
REV No.	DATE & No	ZONE



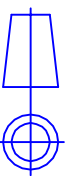
MATERIAL: 25 X 25 X 1.5 [1.0 X 1.0 X .065]SHS

SCALE	1:1	SHEET
DRAWN	R F-S	DATE 27.10.05
TITLE	LOCOST IRS	

TUBE RZ1-2

DRG No RDLIRS 10

# A3



FIRST ANGLE PROJECTION

THIS DRAWING IS CONFIDENTIAL AND IS SUPPLIED ON THE EXPRESS CONDITION THAT IT SHALL NOT BE LOANED, COPIED OR DISCLOSED TO ANY OTHER PERSON NOR USED FOR ANY OTHER PURPOSE WITHOUT THE WRITTEN CONSENT OF RORTY DESIGN

- UNLESS SPECIFIED OTHERWISE:
- 1. ALL DIMENSIONS ARE IN MILLIMETERS
  - 2. REMOVE ALL BURRS & SHARP EDGES
  - 3. CORNER RADII R0.75
  - 4. CHAMFER SIZE 0.75 x 45°
  - 5. CONCENTRICITY 0.05 TIR

UNLESS SPECIFIED OTHERWISE: TOLERANCES ANGULAR ± 0.5°

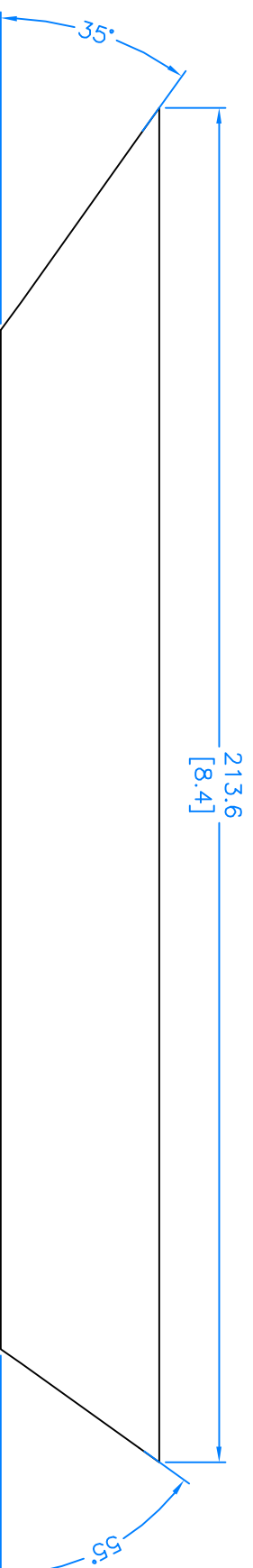
.X ± 0.5  
.XX ± 0.25  
.XXX ± 0.125



RORTY DESIGN  
 PO BOX 13270  
 LAW COURTS  
 MELBOURNE  
 VIC 8010  
 AUSTRALIA

info@rorty-design.com  
 www.rorty-design.com

REVISIONS		
REV No.	DATE & No	ZONE



MATERIAL: 25 X 25 X 1.5 [1.0 X 1.0 X .065] SHS

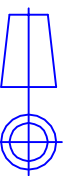
SCALE	1:1	SHEET
DRAWN	R F-S	DATE 27.10.05
TITLE	LOCOST IRS	

TUBE RZ1-2

DRG No RDLIRS 10

# A3

FIRST ANGLE PROJECTION



THIS DRAWING IS CONFIDENTIAL AND IS SUPPLIED ON THE EXPRESS CONDITION THAT IT SHALL NOT BE LOANED, COPIED OR DISCLOSED TO ANY OTHER PERSON NOR USED FOR ANY OTHER PURPOSE WITHOUT THE WRITTEN CONSENT OF RORTY DESIGN

- UNLESS SPECIFIED OTHERWISE:
1. ALL DIMENSIONS ARE IN MILLIMETERS
  2. REMOVE ALL BURRS & SHARP EDGES
  3. CORNER RADII R0.75
  4. CHAMFER SIZE 0.75 x 45°
  5. CONCENTRICITY 0.05 TIR

UNLESS SPECIFIED OTHERWISE: TOLERANCES ANGULAR ± 0.5°

.X ± 0.5  
.XX ± 0.25  
.XXX ± 0.125

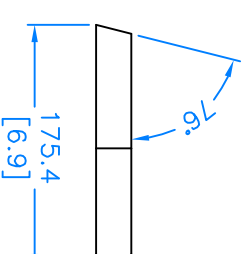
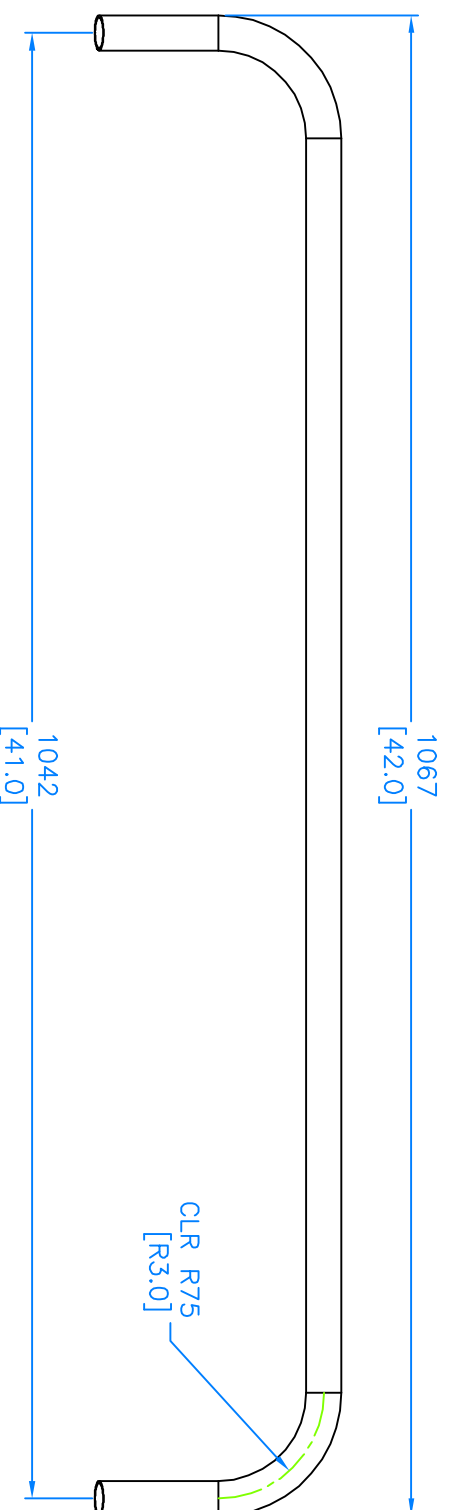


RORTY DESIGN  
 PO BOX 13270  
 LAW COURTS  
 MELBOURNE  
 VIC 8010  
 AUSTRALIA

info@rorty-design.com  
 www.rorty-design.com

REVISIONS		
REV No.	DATE & No	ZONE

MATERIAL:  $\varnothing 25$  ERW X 1.5 [1.0 X .065]

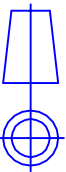


SCALE	5:1	SHEET
DRAWN	R-F-S	DATE 27.10.05
TITLE	LOCOST IRS	

TUBE RV

DRG No RDLIRS 11

# A3



FIRST ANGLE PROJECTION

THIS DRAWING IS CONFIDENTIAL AND IS SUPPLIED ON THE EXPRESS CONDITION THAT IT SHALL NOT BE LOANED, COPIED OR DISCLOSED TO ANY OTHER PERSON NOR USED FOR ANY OTHER PURPOSE WITHOUT THE WRITTEN CONSENT OF RORTY DESIGN

- UNLESS SPECIFIED OTHERWISE:
- 1. ALL DIMENSIONS ARE IN MILLIMETERS
  - 2. REMOVE ALL BURRS & SHARP EDGES
  - 3. CORNER RADII R0.75
  - 4. CHAMFER SIZE 0.75 x 45°
  - 5. CONCENTRICITY 0.05 TIR

UNLESS SPECIFIED OTHERWISE: TOLERANCES ANGULAR ± 0.5°

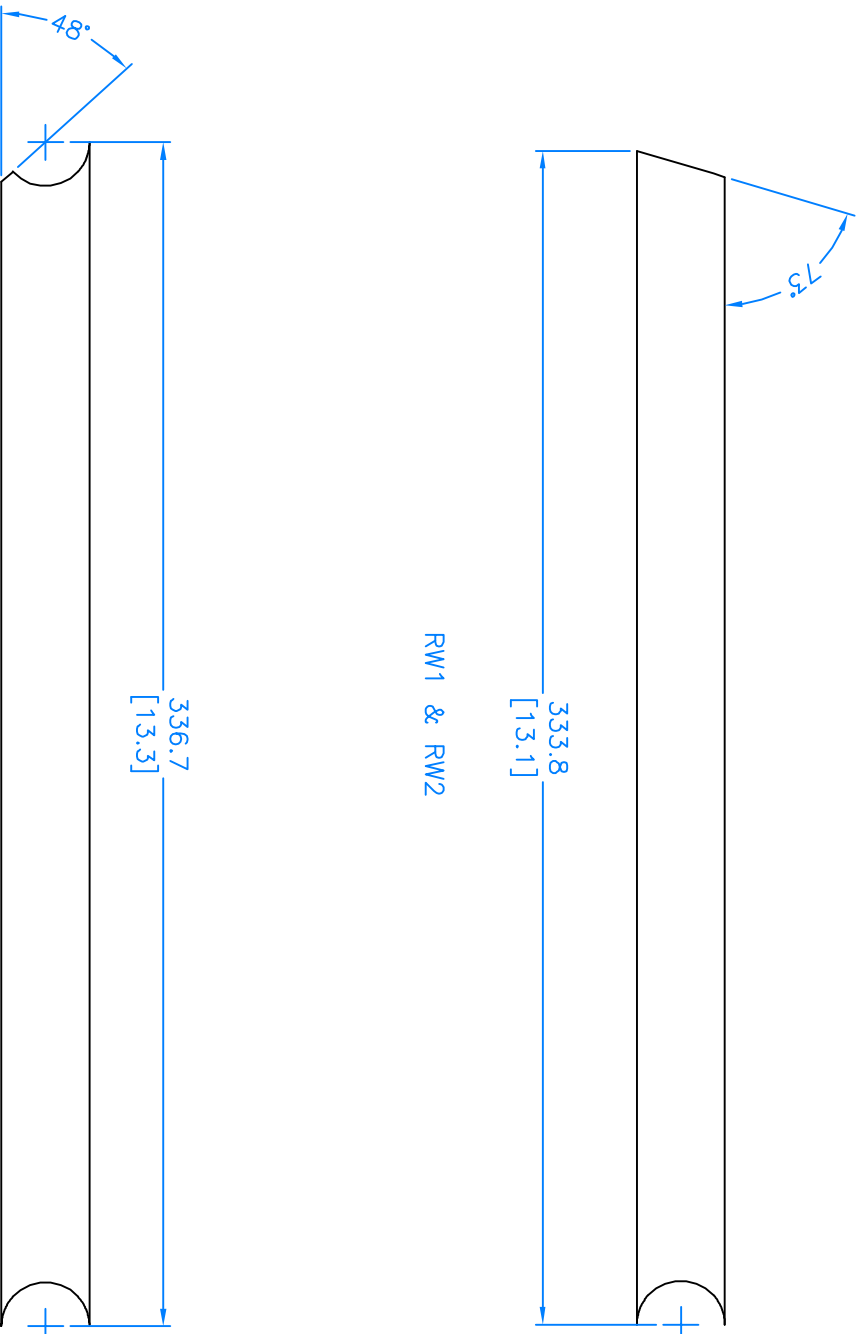
.X ± 0.5  
.XX ± 0.25  
.XXX ± 0.125



RORTY DESIGN  
 PO BOX 13270  
 LAW COURTS  
 MELBOURNE  
 VIC 8010  
 AUSTRALIA

info@rorty-design.com  
 www.rorty-design.com

REVISIONS		
REV No.	DATE & No	ZONE



MATERIAL: 25 X 25 X 1.5 [1.0 X 1.0 X .065] SHS

SCALE	2:1	SHEET
DRAWN	R-F-S	DATE 27.10.05
TITLE	LOCOST IRS	

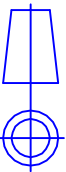
TUBES RW1-2 & W3-4

DRG No RDLIRS 12



# A3

FIRST ANGLE PROJECTION



THIS DRAWING IS CONFIDENTIAL AND IS SUPPLIED ON THE EXPRESS CONDITION THAT IT SHALL NOT BE LOANED, COPIED OR DISCLOSED TO ANY OTHER PERSON NOR USED FOR ANY OTHER PURPOSE WITHOUT THE WRITTEN CONSENT OF RORTY DESIGN

- UNLESS SPECIFIED OTHERWISE:
- 1. ALL DIMENSIONS ARE IN MILLIMETERS
  - 2. REMOVE ALL BURRS & SHARP EDGES
  - 3. CORNER RADII R0.75
  - 4. CHAMFER SIZE 0.75 x 45°
  - 5. CONCENTRICITY 0.05 TIR

UNLESS SPECIFIED OTHERWISE: TOLERANCES ANGULAR ± 0.5°

.X ± 0.5  
.XX ± 0.25  
.XXX ± 0.125

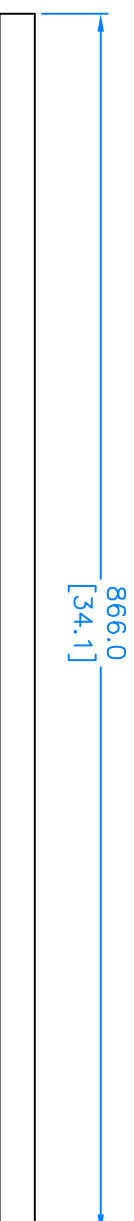


RORTY DESIGN  
 PO BOX 13270  
 LAW COURTS  
 MELBOURNE  
 VIC 8010  
 AUSTRALIA

info@rorty-design.com  
 www.rorty-design.com

REVISIONS		
REV No.	DATE & No	ZONE

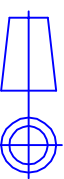
MATERIAL:  $\phi 25 \times 1.5$  [1.0 X .065]



SCALE	5:1	SHEET
DRAWN	R F-S	DATE 27.10.05
TITLE	LOCOST IRS	
TUBE RB		
DRG No	RDLIRS 13	

# A3

FIRST ANGLE PROJECTION



THIS DRAWING IS CONFIDENTIAL AND IS SUPPLIED ON THE EXPRESS CONDITION THAT IT SHALL NOT BE LOANED, COPIED OR DISCLOSED TO ANY OTHER PERSON NOR USED FOR ANY OTHER PURPOSE WITHOUT THE WRITTEN CONSENT OF RORTY DESIGN

- UNLESS SPECIFIED OTHERWISE:
1. ALL DIMENSIONS ARE IN MILLIMETERS
  2. REMOVE ALL BURRS & SHARP EDGES
  3. CORNER RADII R0.75
  4. CHAMFER SIZE 0.75 x 45°
  5. CONCENTRICITY 0.05 TIR

UNLESS SPECIFIED OTHERWISE: TOLERANCES ANGULAR ± 0.5°

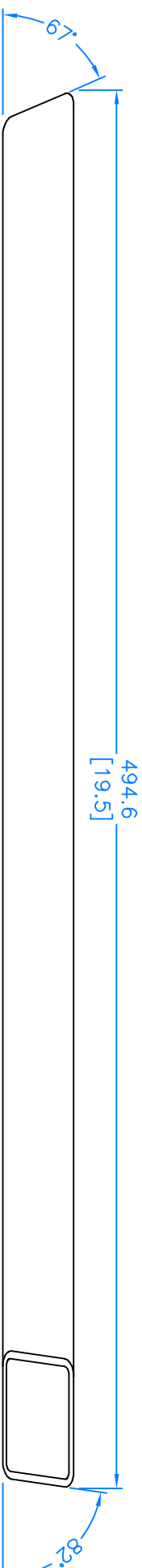
.X ± 0.5  
.XX ± 0.25  
.XXX ± 0.125



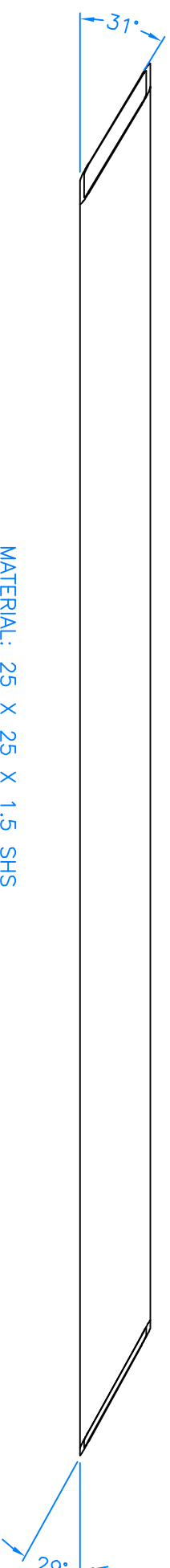
RORTY DESIGN  
 PO BOX 13270  
 LAW COURTS  
 MELBOURNE  
 VIC 8010  
 AUSTRALIA

info@rorty-design.com  
 www.rorty-design.com

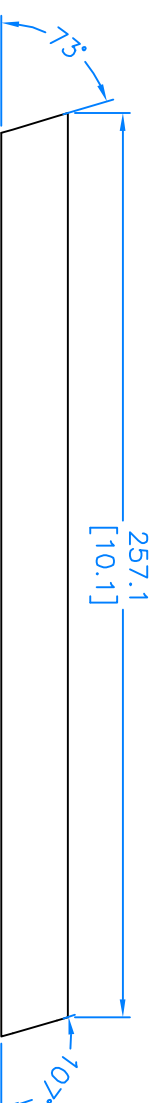
REV No.	REVISIONS		ZONE
	DATE & No		



TUBE 01 (MIRROR FOR 02)



MATERIAL: 25 X 25 X 1.5 SHS



TUBE RE (MIRROR FOR RF)

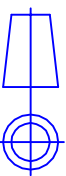


MATERIAL: 19 X 19 X 1.5 [.75 X .75 X .065] SHS

SCALE	2:1	SHEET
DRAWN	R-F-S	DATE 27.10.05
TITLE	LOCOST IRS	
TUBES RE, RF, 01 & 02		

DRG No RDLIRS 14

# A3



FIRST ANGLE PROJECTION

THIS DRAWING IS CONFIDENTIAL AND IS SUPPLIED ON THE EXPRESS CONDITION THAT IT SHALL NOT BE LOANED, COPIED OR DISCLOSED TO ANY OTHER PERSON NOR USED FOR ANY OTHER PURPOSE WITHOUT THE WRITTEN CONSENT OF RORTY DESIGN

- UNLESS SPECIFIED OTHERWISE:
- 1. ALL DIMENSIONS ARE IN MILLIMETERS
  - 2. REMOVE ALL BURRS & SHARP EDGES
  - 3. CORNER RADII R0.75
  - 4. CHAMFER SIZE 0.75 x 45°
  - 5. CONCENTRICITY 0.05 TIR

UNLESS SPECIFIED OTHERWISE: TOLERANCES ANGULAR ± 0.5°

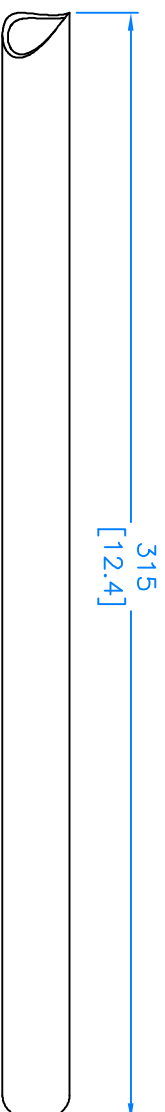
.X ± 0.5  
.XX ± 0.25  
.XXX ± 0.125



RORTY DESIGN  
 PO BOX 13270  
 LAW COURTS  
 MELBOURNE  
 VIC 8010  
 AUSTRALIA

info@rorty-design.com  
 www.rorty-design.com

REV No.	REVISIONS	
	DATE & No	ZONE



TUBE RD1, ROTATE 56° FOR FISHMOUTH  
(MIRROR FOR RD2)



TUBE RD3, ROTATE 24.5° FOR FISHMOUTH  
(MIRROR FOR RD4)



MATERIAL:  $\phi 25 \times 1.5$  [1.0 X .065]

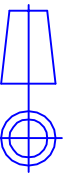
SCALE	2:1	SHEET
DRAWN	R F-S	DATE 27.10.05
TITLE	LOCOST IRS	

TUBES RE, RF, O1 & O2

DRG No RDLIRS 14

# A3

FIRST ANGLE PROJECTION



THIS DRAWING IS CONFIDENTIAL AND IS SUPPLIED ON THE EXPRESS CONDITION THAT IT SHALL NOT BE LOANED, COPIED OR DISCLOSED TO ANY OTHER PERSON NOR USED FOR ANY OTHER PURPOSE WITHOUT THE WRITTEN CONSENT OF RORTY DESIGN

- UNLESS SPECIFIED OTHERWISE:
1. ALL DIMENSIONS ARE IN MILLIMETERS
  2. REMOVE ALL BURRS & SHARP EDGES
  3. CORNER RADIUS R0.75
  4. CHAMFER SIZE 0.75 x 45°
  5. CONCENTRICITY 0.05 TIR

UNLESS SPECIFIED OTHERWISE: TOLERANCES ANGULAR ± 0.5°

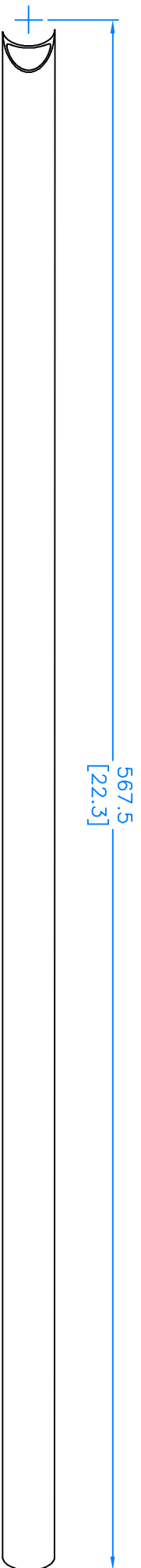
X ± 0.5  
XX ± 0.25  
XXX ± 0.125



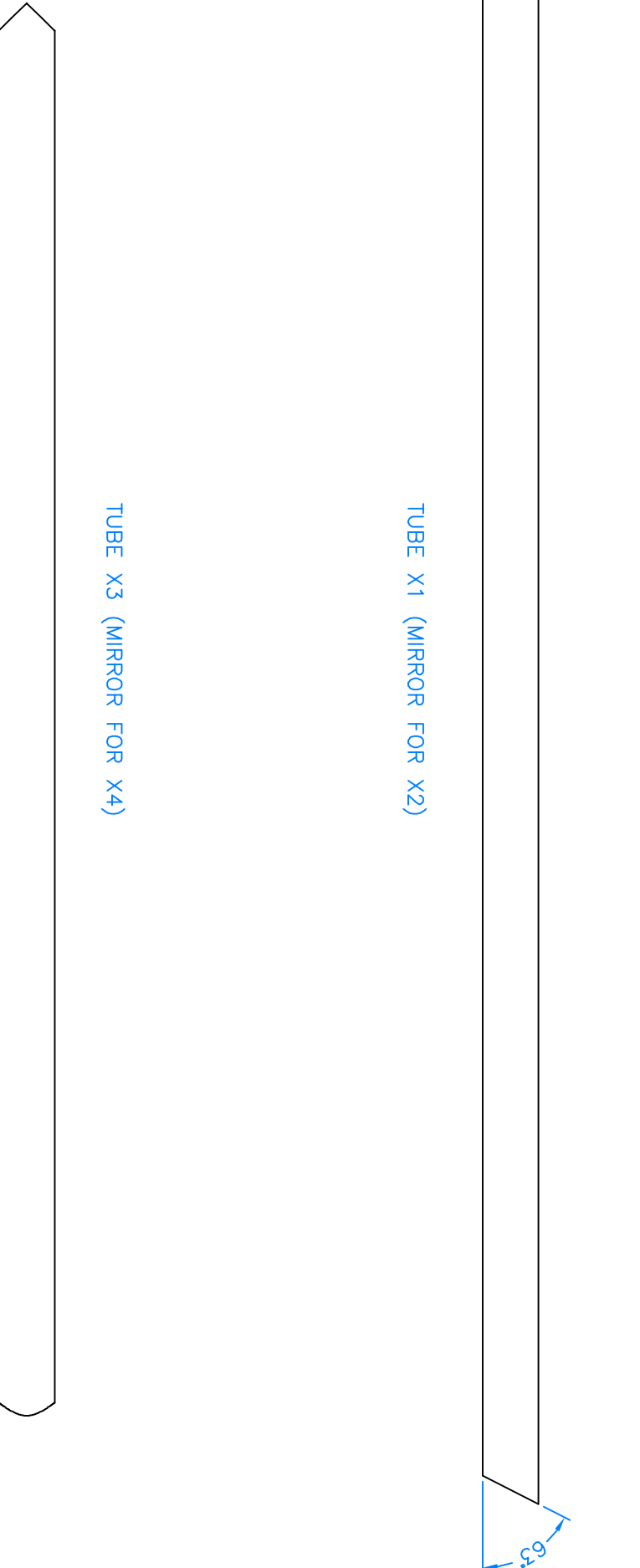
RORTY DESIGN  
 PO BOX 13270  
 LAW COURTS  
 MELBOURNE  
 VIC 8010  
 AUSTRALIA

info@rorty-design.com  
 www.rorty-design.com

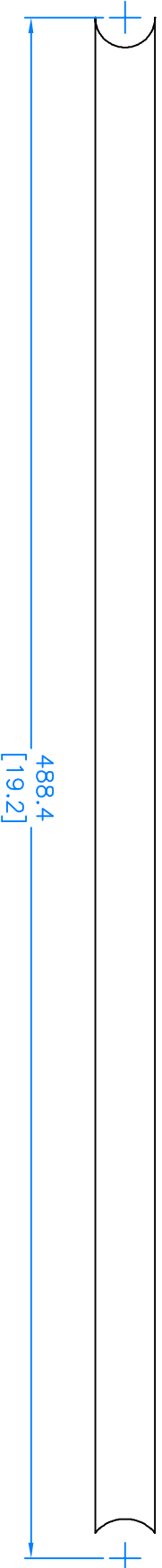
REV No.	REVISIONS		ZONE
	DATE & No		



TUBE X1 (MIRROR FOR X2)



TUBE X3 (MIRROR FOR X4)



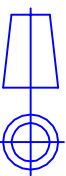
MATERIAL:  $\phi 19$  X 1.5 [ .75 X .065 ]

SCALE	2:1	SHEET
DRAWN	R-F-S	DATE 27.10.05
TITLE	LOCOST IRS	

TUBES X1-4

DRG No RDLIRS 16

# A3



FIRST ANGLE PROJECTION

THIS DRAWING IS CONFIDENTIAL AND IS SUPPLIED ON THE EXPRESS CONDITION THAT IT SHALL NOT BE LOANED, COPIED OR DISCLOSED TO ANY OTHER PERSON NOR USED FOR ANY OTHER PURPOSE WITHOUT THE WRITTEN CONSENT OF RORTY DESIGN

- UNLESS SPECIFIED OTHERWISE:
- 1. ALL DIMENSIONS ARE IN MILLIMETERS
  - 2. REMOVE ALL BURRS & SHARP EDGES
  - 3. CORNER RADIUS R0.75
  - 4. CHAMFER SIZE 0.75 x 45°
  - 5. CONCENTRICITY 0.05 TIR

UNLESS SPECIFIED OTHERWISE: TOLERANCES ANGULAR ± 0.5°

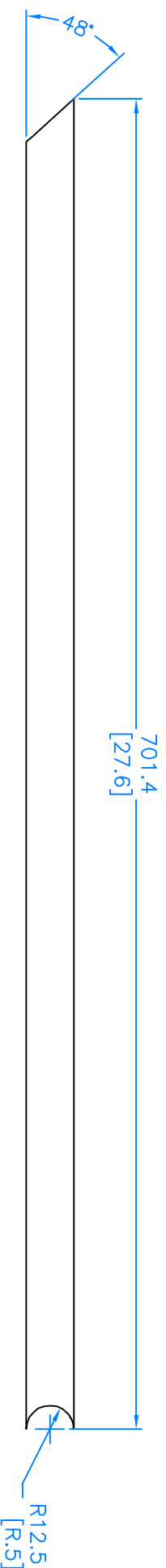
.X ± 0.5  
.XX ± 0.25  
.XXX ± 0.125



RORTY DESIGN  
 PO BOX 13270  
 LAW COURTS  
 MELBOURNE  
 VIC 8010  
 AUSTRALIA

info@rorty-design.com  
 www.rorty-design.com

REVISIONS		
REV No.	DATE & No	ZONE



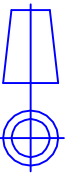
MATERIAL: 25 X 25 X 1.5 [1.0 X 1.0 X .065] SHS

SCALE	SHEET	
DRAWN	R-F-S	DATE
TITLE	LOCOST IRS	
		27.10.05
TUBE W1-2		

DRG No RDLIRS 17

# A3

FIRST ANGLE PROJECTION



THIS DRAWING IS CONFIDENTIAL AND IS SUPPLIED ON THE EXPRESS CONDITION THAT IT SHALL NOT BE LOANED, COPIED OR DISCLOSED TO ANY OTHER PERSON NOR USED FOR ANY OTHER PURPOSE WITHOUT THE WRITTEN CONSENT OF RORTY DESIGN

- UNLESS SPECIFIED OTHERWISE:
1. ALL DIMENSIONS ARE IN MILLIMETERS
  2. REMOVE ALL BURRS & SHARP EDGES
  3. CORNER RADII R0.75
  4. CHAMFER SIZE 0.75 x 45°
  5. CONCENTRICITY 0.05 TIR

UNLESS SPECIFIED OTHERWISE: TOLERANCES ANGULAR ± 0.5°

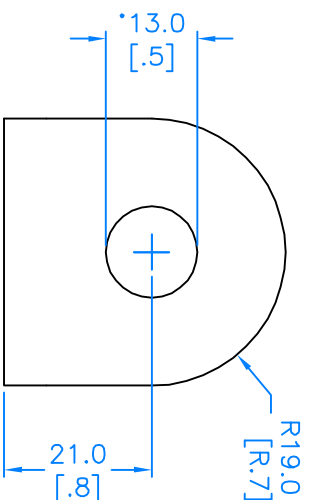
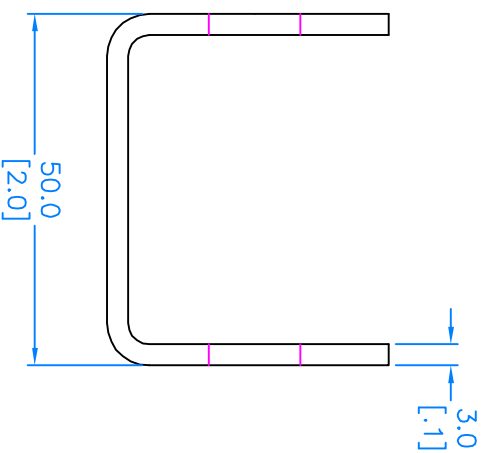
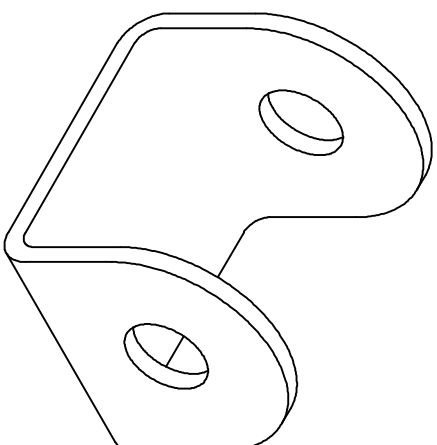
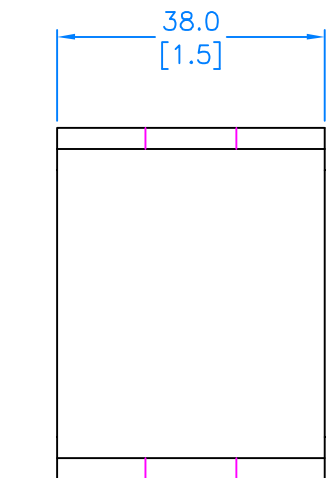
.X ± 0.5  
.XX ± 0.25  
.XXX ± 0.125



RORTY DESIGN  
 PO BOX 13270  
 LAW COURTS  
 MELBOURNE  
 VIC 8010  
 AUSTRALIA

info@rorty-design.com  
 www.rorty-design.com

REVISIONS		
REV No.	DATE & No	ZONE



MATERIAL: 100 X 50 X 3 [4 X 2 X .120] RHS

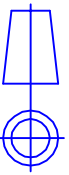
SCALE	1:1	SHEET
DRAWN	R F-S	DATE 27.10.05
TITLE	LOCOST IRS	

WISHBONE BRACKET

DRG No RDLIRS 18

# A3

FIRST ANGLE PROJECTION



THIS DRAWING IS CONFIDENTIAL AND IS SUPPLIED ON THE EXPRESS CONDITION THAT IT SHALL NOT BE LOANED, COPIED OR DISCLOSED TO ANY OTHER PERSON NOR USED FOR ANY OTHER PURPOSE WITHOUT THE WRITTEN CONSENT OF RORTY DESIGN

- UNLESS SPECIFIED OTHERWISE:
1. ALL DIMENSIONS ARE IN MILLIMETERS
  2. REMOVE ALL BURRS & SHARP EDGES
  3. CORNER RADII R0.75
  4. CHAMFER SIZE 0.75 x 45°
  5. CONCENTRICITY 0.05 TIR

UNLESS SPECIFIED OTHERWISE: TOLERANCES

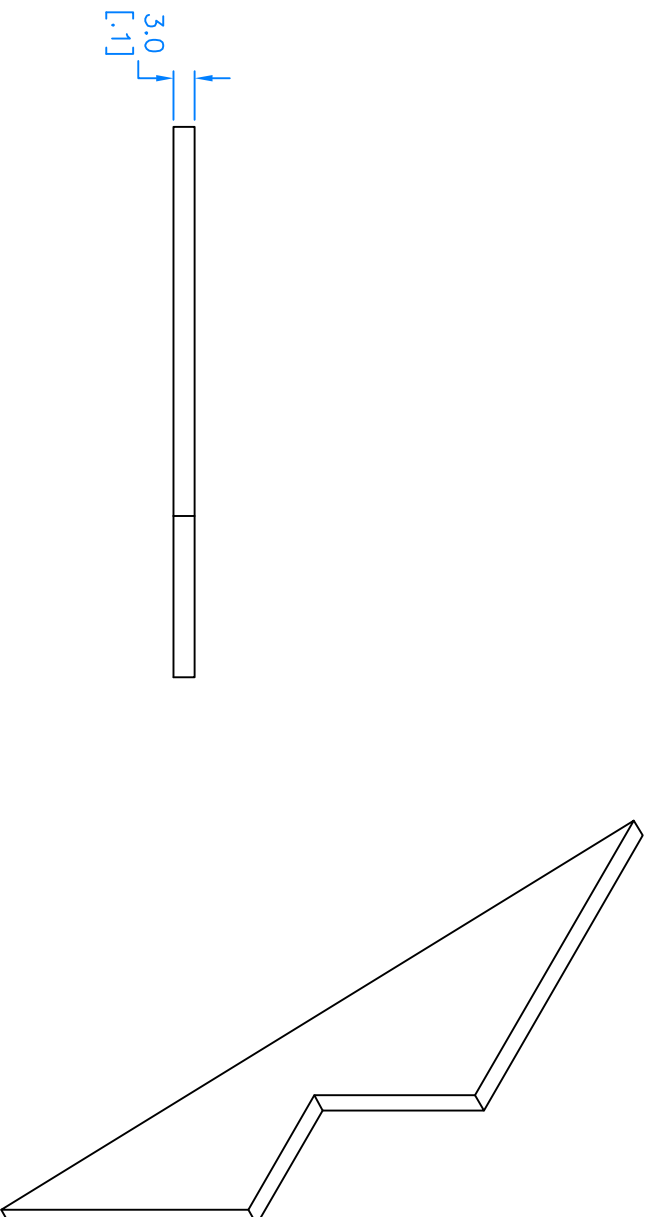
.X ± 0.5  
.XX ± 0.25  
.XXX ± 0.125



RORTY DESIGN  
 PO BOX 13270  
 LAW COURTS  
 MELBOURNE  
 VIC 8010  
 AUSTRALIA

info@rorty-design.com  
 www.rorty-design.com

REV No.	REVISIONS	
	DATE & No	ZONE



MATERIAL: 3mm CR STEEL

SCALE	1:1	SHEET
DRAWN	R F-S	DATE 27.10.05
TITLE	LOCOST IRS	

UPPER CHASSIS BRACE

DRG No RDLIRS 19



# A3

FIRST ANGLE PROJECTION



THIS DRAWING IS CONFIDENTIAL AND IS SUPPLIED ON THE EXPRESS CONDITION THAT IT SHALL NOT BE LOANED, COPIED OR DISCLOSED TO ANY OTHER PERSON NOR USED FOR ANY OTHER PURPOSE WITHOUT THE WRITTEN CONSENT OF RORTY DESIGN

- UNLESS SPECIFIED OTHERWISE:
1. ALL DIMENSIONS ARE IN MILLIMETERS
  2. REMOVE ALL BURRS & SHARP EDGES
  3. CORNER RADIUS R0.75
  4. CHAMFER SIZE 0.75 X 45°
  5. CONCENTRICITY 0.05 TIR

UNLESS SPECIFIED OTHERWISE: TOLERANCES ANGULAR ± 0.5°

.X ± 0.5  
.XX ± 0.25  
.XXX ± 0.125



RORTY DESIGN  
PO BOX 13270  
LAW COURTS  
MELBOURNE  
VIC 8010  
AUSTRALIA

info@rorty-design.com  
www.rorty-design.com

REV No.	DATE & No	REVISIONS	ZONE

SCALE

1:1

SHEET

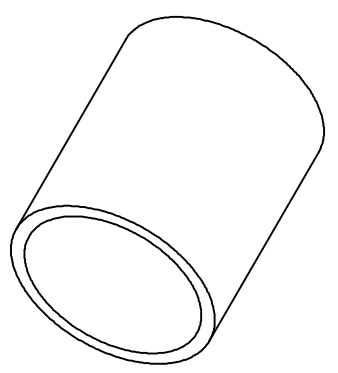
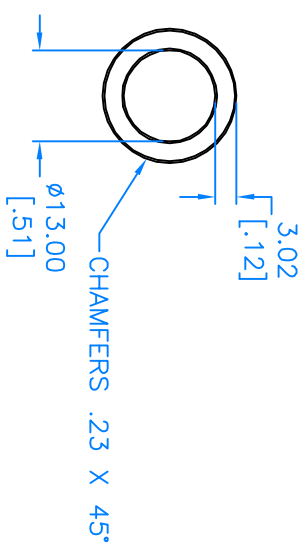
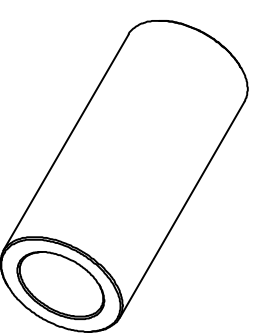
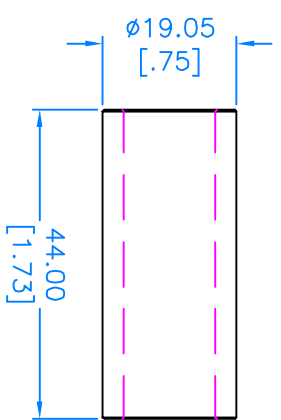
DRAWN R F S DATE 27.10.05

TITLE LOCOST IRS

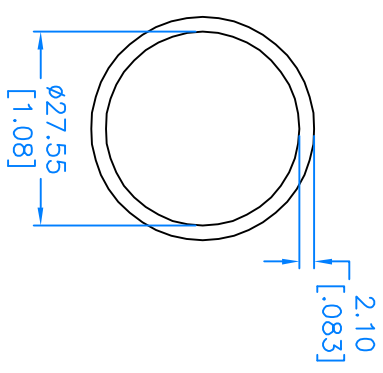
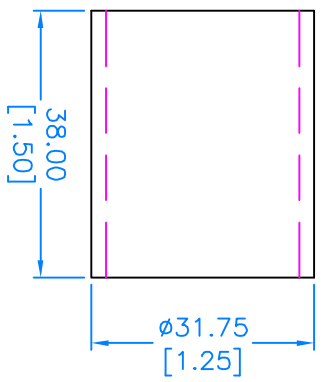
WISHBONE FITTINGS

DRG No RDLIRS 20-1

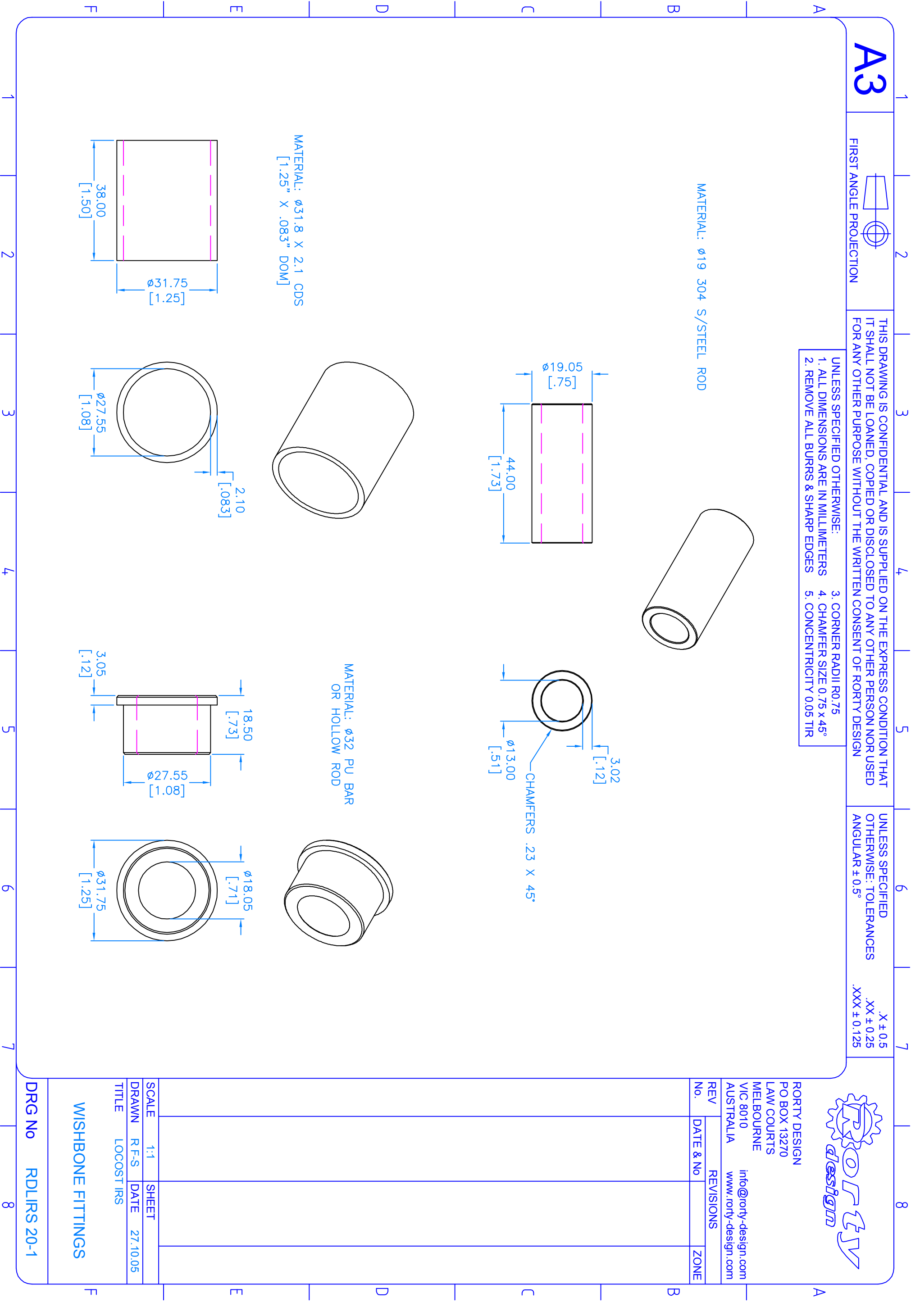
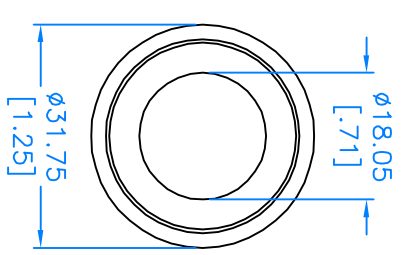
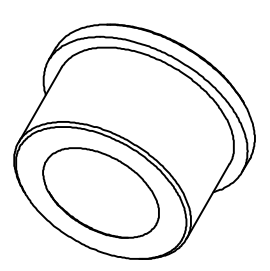
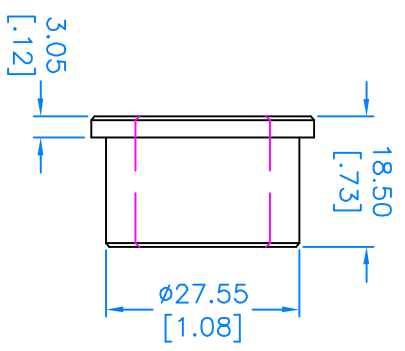
MATERIAL: Ø19 304 S/STEEL ROD



MATERIAL: Ø31.8 X 2.1 CDS  
[1.25] X .083] DOW]



MATERIAL: Ø32 PU BAR  
OR HOLLOW ROD



# A3

FIRST ANGLE PROJECTION



THIS DRAWING IS CONFIDENTIAL AND IS SUPPLIED ON THE EXPRESS CONDITION THAT IT SHALL NOT BE LOANED, COPIED OR DISCLOSED TO ANY OTHER PERSON NOR USED FOR ANY OTHER PURPOSE WITHOUT THE WRITTEN CONSENT OF RORTY DESIGN

- UNLESS SPECIFIED OTHERWISE:
1. ALL DIMENSIONS ARE IN MILLIMETERS
  2. REMOVE ALL BURRS & SHARP EDGES
  3. CORNER RADIUS R0.75
  4. CHAMFER SIZE 0.75 X 45°
  5. CONCENTRICITY 0.05 TIR

UNLESS SPECIFIED OTHERWISE: TOLERANCES ANGULAR ± 0.5°

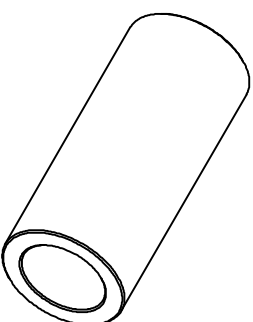
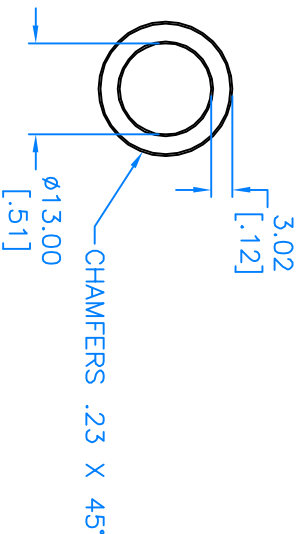
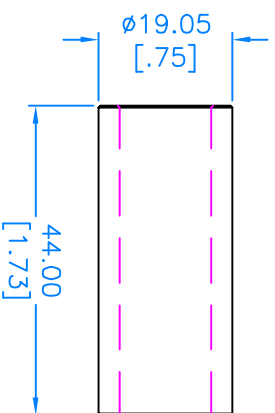
.X ± 0.5  
.XX ± 0.25  
.XXX ± 0.125



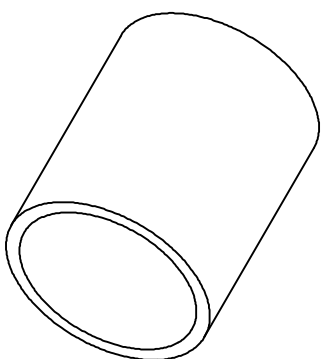
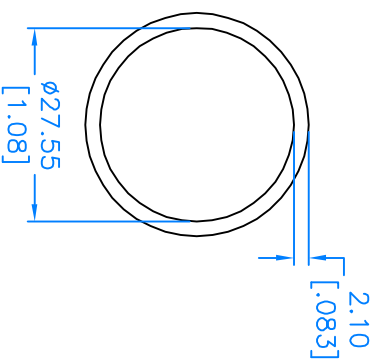
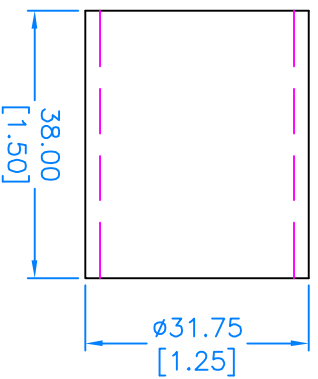
RORTY DESIGN  
PO BOX 13270  
LAW COURTS  
MELBOURNE  
VIC 8010  
AUSTRALIA

info@rorty-design.com  
www.rorty-design.com

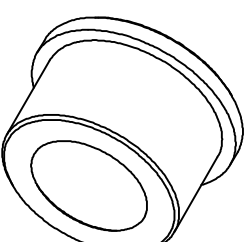
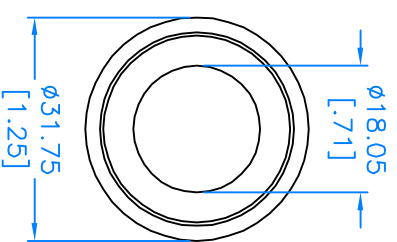
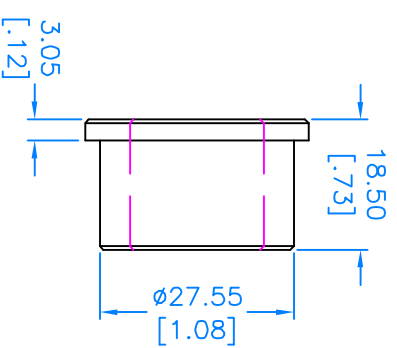
CRUSH TUBE  
MATERIAL:  $\phi 19$  304 S/STEEL ROD



WISHBONE EYE  
MATERIAL:  $\phi 31.8$  X 2.1 CDS  
[1.25" X .083" DOM]



WISHBONE BUSH  
MATERIAL:  $\phi 32$  PU BAR  
OR HOLLOW ROD



REV No.	DATE & No	REVISIONS	ZONE

SCALE	1:1	SHEET
DRAWN	R-F-S	DATE 27.10.05
TITLE	LOCOST IRS	

WISHBONE FITTINGS

DRG No RDLIRS 20-1

# A3

FIRST ANGLE PROJECTION



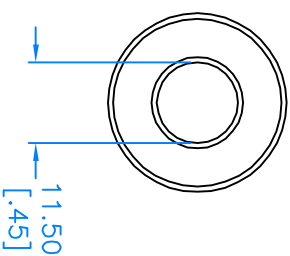
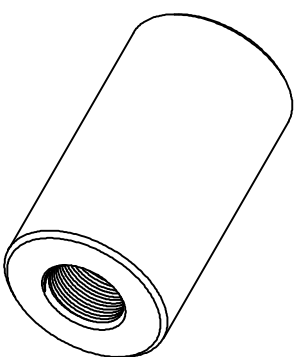
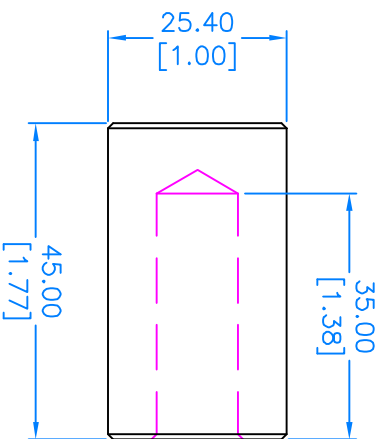
THIS DRAWING IS CONFIDENTIAL AND IS SUPPLIED ON THE EXPRESS CONDITION THAT IT SHALL NOT BE LOANED, COPIED OR DISCLOSED TO ANY OTHER PERSON NOR USED FOR ANY OTHER PURPOSE WITHOUT THE WRITTEN CONSENT OF RORTY DESIGN

UNLESS SPECIFIED OTHERWISE: TOLERANCES ANGULAR  $\pm 0.5^\circ$

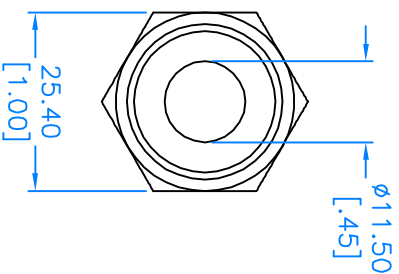
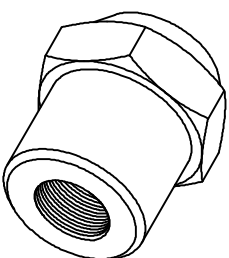
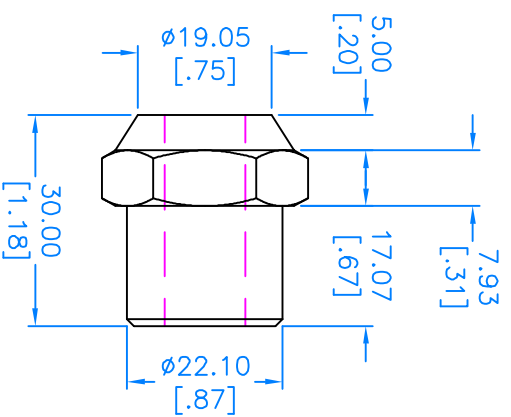
.X  $\pm 0.5$   
.XX  $\pm 0.25$   
.XXX  $\pm 0.125$

- UNLESS SPECIFIED OTHERWISE:
1. ALL DIMENSIONS ARE IN MILLIMETERS
  2. REMOVE ALL BURRS & SHARP EDGES
  3. CORNER RADII R0.75
  4. CHAMFER SIZE 0.75 x 45°
  5. CONCENTRICITY 0.05 TIR

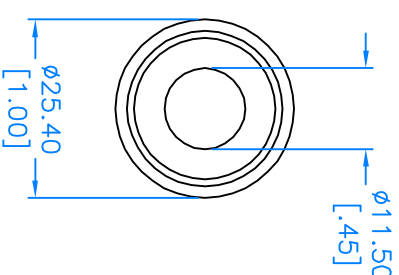
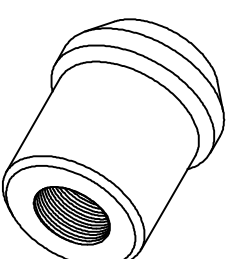
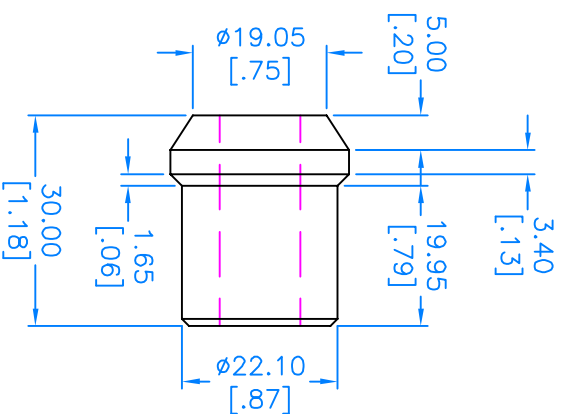
UPPER WISHBONE SLEEVE  
MATERIAL: MILD STEEL  
MAKE 2# 1/2"-20 UNF



LOWER WISHBONE HEX FERULE  
MATERIAL: MILD STEEL  
MAKE 2# 1/2"-20 UNF RH  
AND 2# 1/2"-20 UNF LH



LOWER WISHBONE PLAIN FERULE  
MATERIAL: MILD STEEL  
MAKE 2# 1/2"-20 UNF RH



RORTY DESIGN  
PO BOX 13270  
LAW COURTS  
MELBOURNE  
VIC 8010  
AUSTRALIA

info@rorty-design.com  
www.rorty-design.com

REV No.	DATE & No	REVISIONS	ZONE

SCALE	1:1	SHEET	
DRAWN	R-F-S	DATE	27.10.05
TITLE	LOCOST IRS		

WISHBONE FITTINGS

DRG No RDLIRS 20-2

# A3

FIRST ANGLE PROJECTION



THIS DRAWING IS CONFIDENTIAL AND IS SUPPLIED ON THE EXPRESS CONDITION THAT IT SHALL NOT BE LOANED, COPIED OR DISCLOSED TO ANY OTHER PERSON NOR USED FOR ANY OTHER PURPOSE WITHOUT THE WRITTEN CONSENT OF RORTY DESIGN

UNLESS SPECIFIED OTHERWISE: TOLERANCES ANGULAR  $\pm 0.5^\circ$

.X  $\pm 0.5$   
.XX  $\pm 0.25$   
.XXX  $\pm 0.125$

- UNLESS SPECIFIED OTHERWISE:
1. ALL DIMENSIONS ARE IN MILLIMETERS
  2. REMOVE ALL BURRS & SHARP EDGES
  3. CORNER RADII R0.75
  4. CHAMFER SIZE 0.75 x 45°
  5. CONCENTRICITY 0.05 TIR

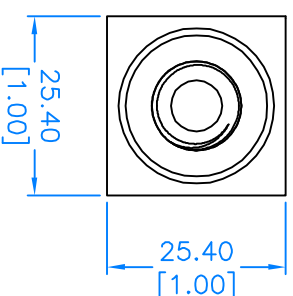
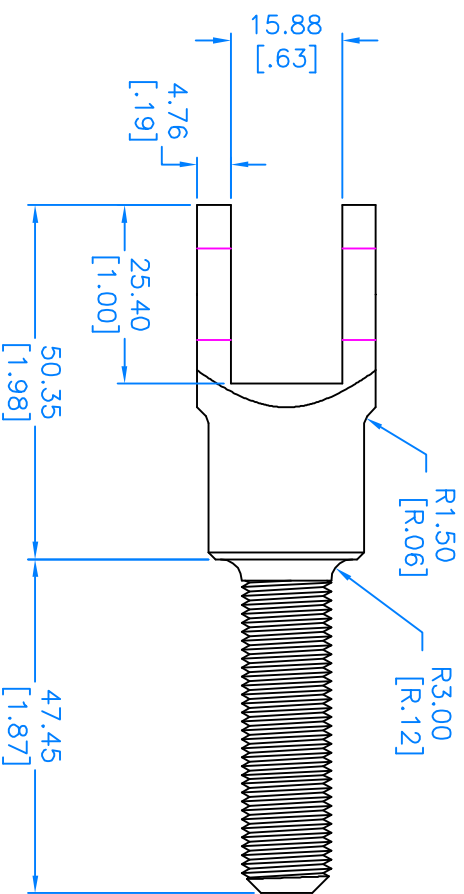
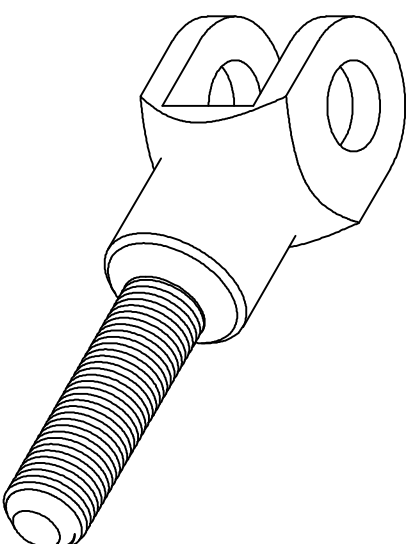
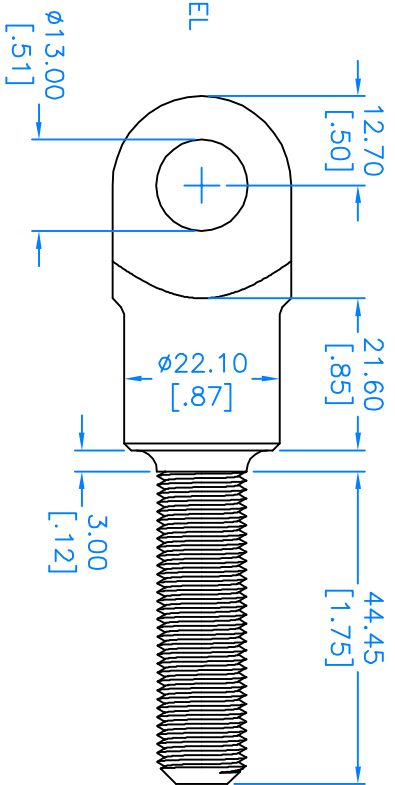


RORTY DESIGN  
PO BOX 13270  
LAW COURTS  
MELBOURNE  
VIC 8010  
AUSTRALIA

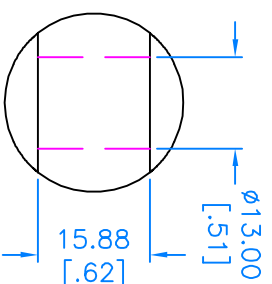
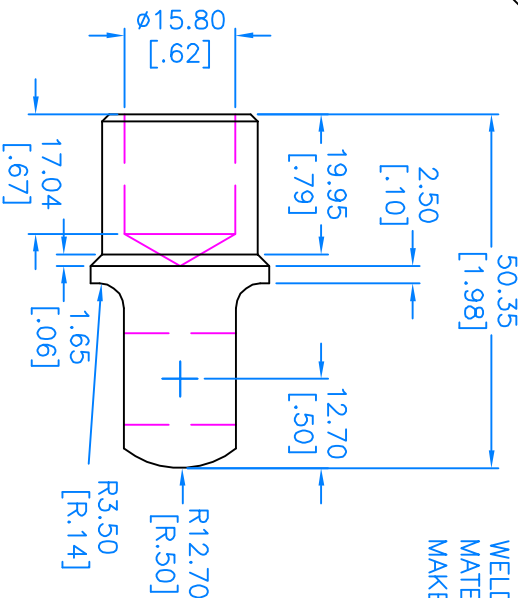
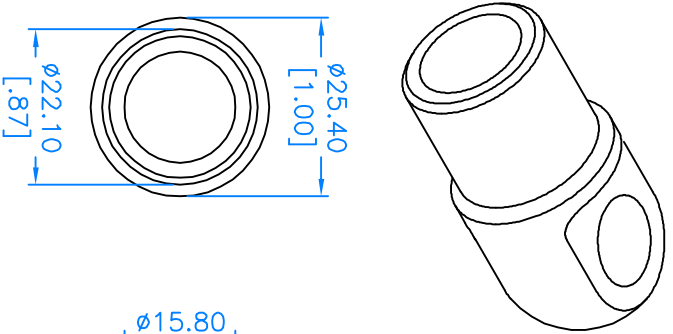
info@rorty-design.com  
www.rorty-design.com

REV No.	DATE & No	REVISIONS	ZONE

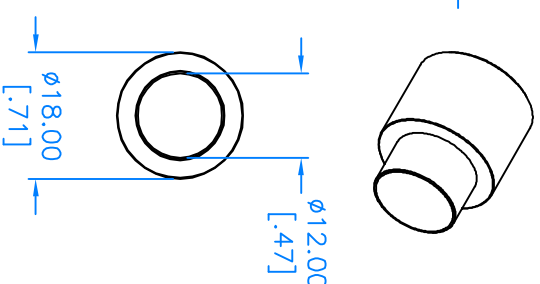
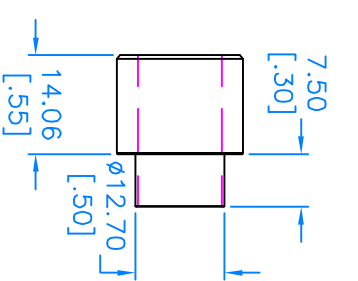
CLEVIS  
MATERIAL: 4140 OR EN24T STEEL  
MAKE 2# 1/2"-20 UNF



WELD EYE  
MATERIAL: 3140 OR EN16T STEEL  
MAKE 2#



ROD END SPACER  
MATERIAL: 304 S/STEEL  
MAKE 12#



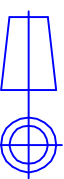
WISHBONE FITTINGS

SCALE	1:1	SHEET
DRAWN	R-F-S	DATE 27.10.05
TITLE	LOCOST IRS	

DRG No RDLIRS 20-3

# A3

FIRST ANGLE PROJECTION



THIS DRAWING IS CONFIDENTIAL AND IS SUPPLIED ON THE EXPRESS CONDITION THAT IT SHALL NOT BE LOANED, COPIED OR DISCLOSED TO ANY OTHER PERSON NOR USED FOR ANY OTHER PURPOSE WITHOUT THE WRITTEN CONSENT OF RORTY DESIGN

UNLESS SPECIFIED OTHERWISE:  
1. ALL DIMENSIONS ARE IN MILLIMETERS  
2. REMOVE ALL BURRS & SHARP EDGES  
3. CORNER RADII R0.75  
4. CHAMFER SIZE 0.75 x 45°  
5. CONCENTRICITY 0.05 TIR

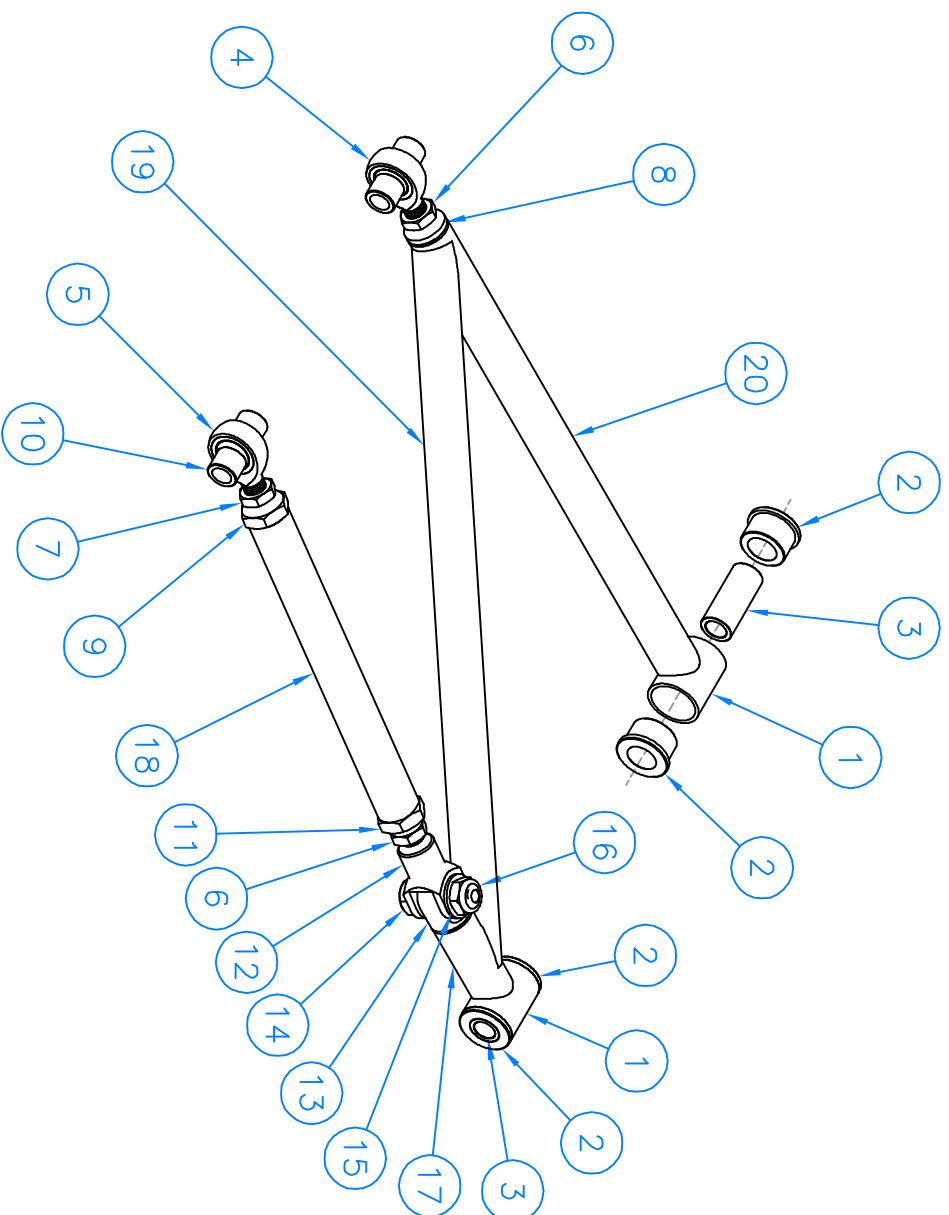
UNLESS SPECIFIED OTHERWISE: TOLERANCES ANGULAR ± 0.5°

.X ± 0.5  
.XX ± 0.25  
.XXX ± 0.125



RORTY DESIGN  
PO BOX 13270  
LAW COURTS  
MELBOURNE  
VIC 8010  
AUSTRALIA  
info@rorty-design.com  
www.rorty-design.com

REV No.	DATE & No	REVISIONS	ZONE



1. WISHBONE EYE
2. PU BUSH
3. CRUSH TUBE
4. ROD END RH
5. ROD END LH
6. JAM NUT RH
7. JAM NUT LH
8. FERULE - PLAIN RH
9. FERULE - HEX LH
10. ROD END SPACER
11. FERULE - HEX RH
12. CLEVIS
13. WELD EYE
14. HEX BOLT
15. FLAT WASHER
16. THIN NYLOC NUT
17. REAR TUBE
18. ADJUSTABLE LINK
19. DIAGONAL TUBE
20. FRONT TUBE

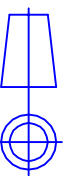
SCALE	SHEET
DRAWN R-F-S	DATE 27.10.05
TITLE LOCOST IRS	

WISHBONE - LOWER

DRG No RDLIRS 21-1

# A3

FIRST ANGLE PROJECTION



THIS DRAWING IS CONFIDENTIAL AND IS SUPPLIED ON THE EXPRESS CONDITION THAT IT SHALL NOT BE LOANED, COPIED OR DISCLOSED TO ANY OTHER PERSON NOR USED FOR ANY OTHER PURPOSE WITHOUT THE WRITTEN CONSENT OF RORTY DESIGN

- UNLESS SPECIFIED OTHERWISE:
1. ALL DIMENSIONS ARE IN MILLIMETERS
  2. REMOVE ALL BURRS & SHARP EDGES
  3. CORNER RADII R0.75
  4. CHAMFER SIZE 0.75 x 45°
  5. CONCENTRICITY 0.05 TIR

UNLESS SPECIFIED OTHERWISE: TOLERANCES ANGULAR ± 0.5°

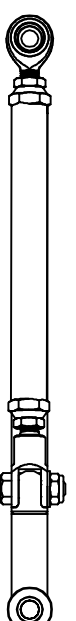
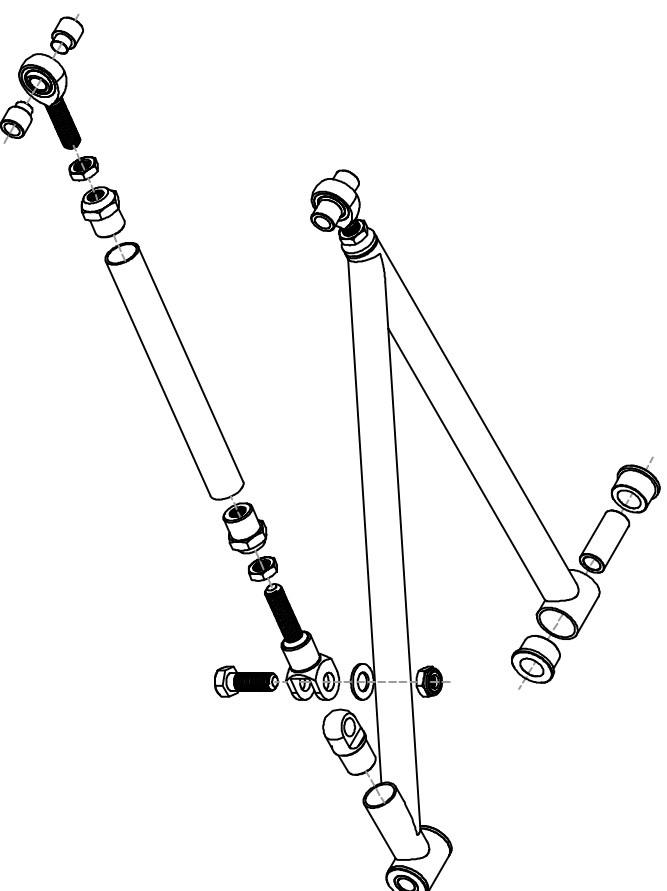
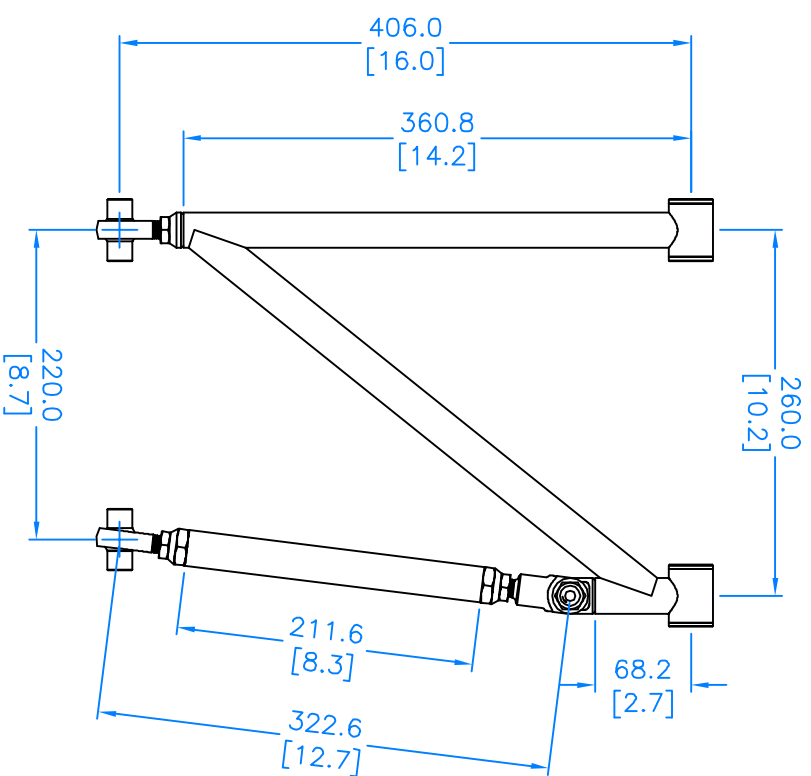
.X ± 0.5  
.XX ± 0.25  
.XXX ± 0.125



RORTY DESIGN  
PO BOX 13270  
LAW COURTS  
MELBOURNE  
VIC 8010  
AUSTRALIA

info@rorty-design.com  
www.rorty-design.com

REV No.	DATE & No	REVISIONS	ZONE



LH WISHBONE SHOWN – MIRROR FOR RH WISHBONE

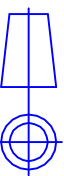
WISHBONE - LOWER

DRG No RDLIRS 21-2

SCALE	5:1	SHEET
DRAWN	R-F-S	DATE 27.10.05
TITLE	LOCOST IRS	

# A3

FIRST ANGLE PROJECTION



THIS DRAWING IS CONFIDENTIAL AND IS SUPPLIED ON THE EXPRESS CONDITION THAT IT SHALL NOT BE LOANED, COPIED OR DISCLOSED TO ANY OTHER PERSON NOR USED FOR ANY OTHER PURPOSE WITHOUT THE WRITTEN CONSENT OF RORTY DESIGN

UNLESS SPECIFIED OTHERWISE:  
 1. ALL DIMENSIONS ARE IN MILLIMETERS  
 2. REMOVE ALL BURRS & SHARP EDGES  
 3. CORNER RADII R0.75  
 4. CHAMFER SIZE 0.75 x 45°  
 5. CONCENTRICITY 0.05 TIR

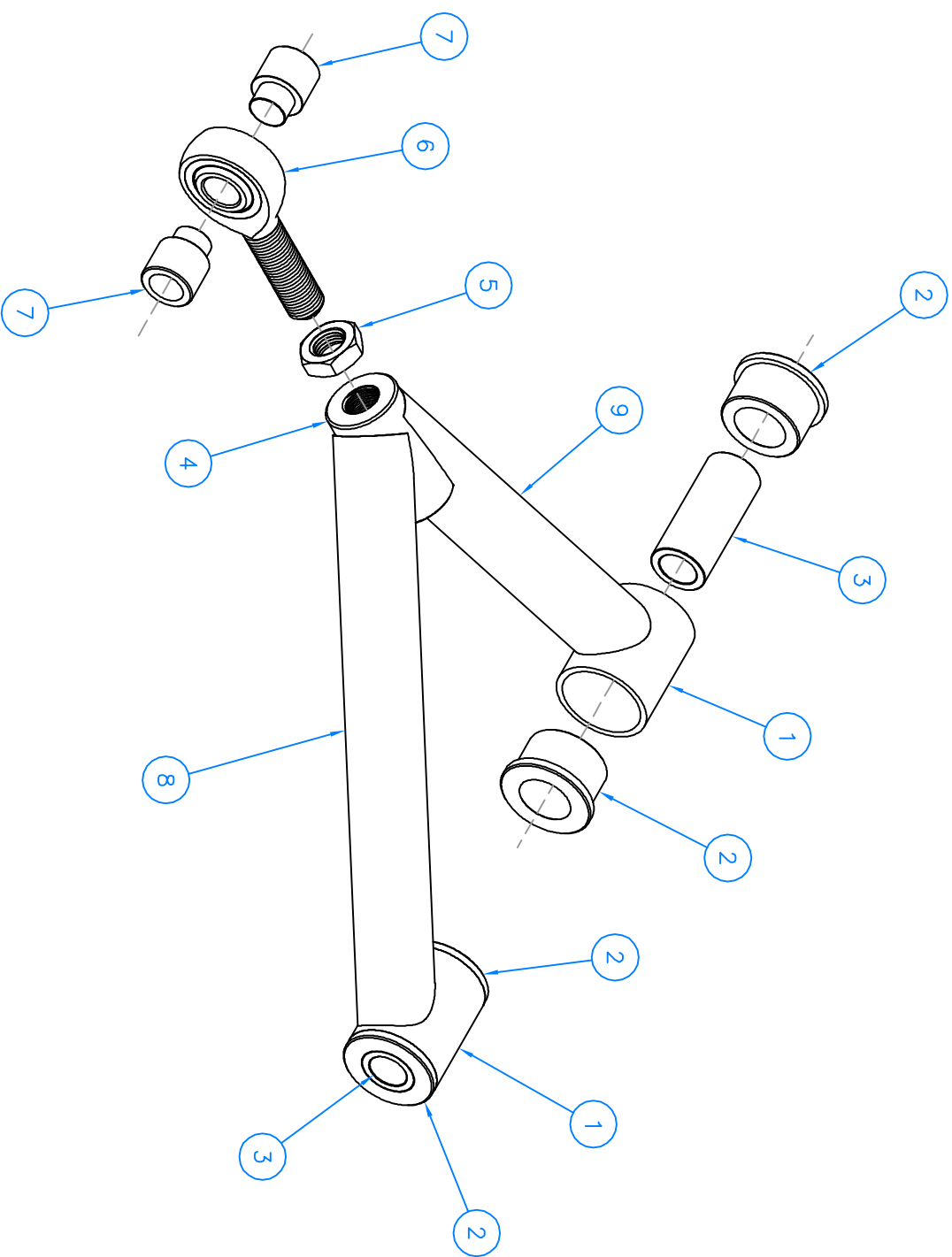
UNLESS SPECIFIED OTHERWISE: TOLERANCES ANGULAR ± 0.5°

.X ± 0.5  
 .XX ± 0.25  
 .XXX ± 0.125



RORTY DESIGN  
 PO BOX 13270  
 LAW COURTS  
 MELBOURNE  
 VIC 8010  
 AUSTRALIA  
 info@rorty-design.com  
 www.rorty-design.com

REV No.	DATE & No	REVISIONS	ZONE



1. WISHBONE EYE
2. PU BUSH
3. CRUSH TUBE
4. ROD END SLEEVE
5. JAM NUT
6. ROD END
7. ROD END SPACER
8. REAR TUBE
9. FRONT TUBE

SCALE	SHEET
DRAWN R-F-S	DATE 27.10.05
TITLE LOCOST IRS	

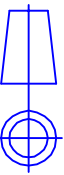
WISHBONE - UPPER

DRG No RDLIRS 22-1



# A3

FIRST ANGLE PROJECTION



THIS DRAWING IS CONFIDENTIAL AND IS SUPPLIED ON THE EXPRESS CONDITION THAT IT SHALL NOT BE LOANED, COPIED OR DISCLOSED TO ANY OTHER PERSON NOR USED FOR ANY OTHER PURPOSE WITHOUT THE WRITTEN CONSENT OF RORTY DESIGN

- UNLESS SPECIFIED OTHERWISE:
1. ALL DIMENSIONS ARE IN MILLIMETERS
  2. REMOVE ALL BURRS & SHARP EDGES
  3. CORNER RADII R0.75
  4. CHAMFER SIZE 0.75 x 45°
  5. CONCENTRICITY 0.05 TIR

UNLESS SPECIFIED OTHERWISE: TOLERANCES ANGULAR ± 0.5°

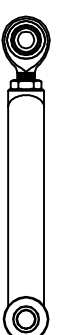
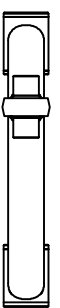
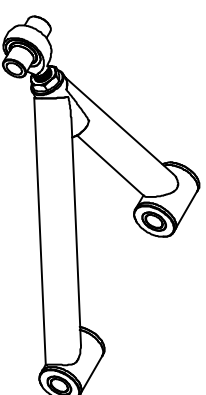
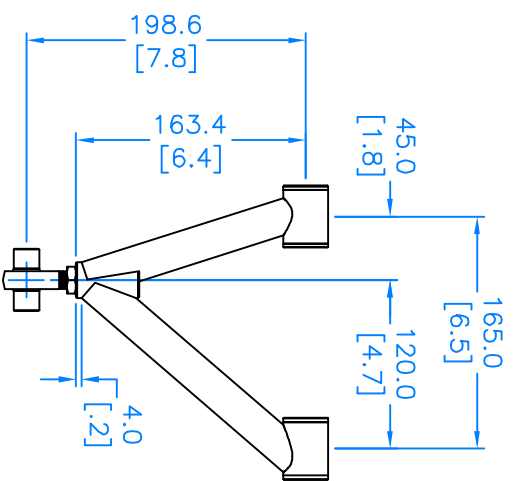
.X ± 0.5  
.XX ± 0.25  
.XXX ± 0.125



RORTY DESIGN  
 PO BOX 13270  
 LAW COURTS  
 MELBOURNE  
 VIC 8010  
 AUSTRALIA

info@rorty-design.com  
 www.rorty-design.com

REV No.	REVISIONS		ZONE
	DATE & No		



LH WISHBONE SHOWN – MIRROR FOR RH WISHBONE

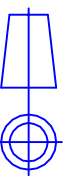
WISHBONE - UPPER

DRG No RDLIRS 22-2

SCALE	5:1	SHEET
DRAWN	R-F-S	DATE 27.10.05
TITLE	LOCOSTIRS	

# A3

FIRST ANGLE PROJECTION

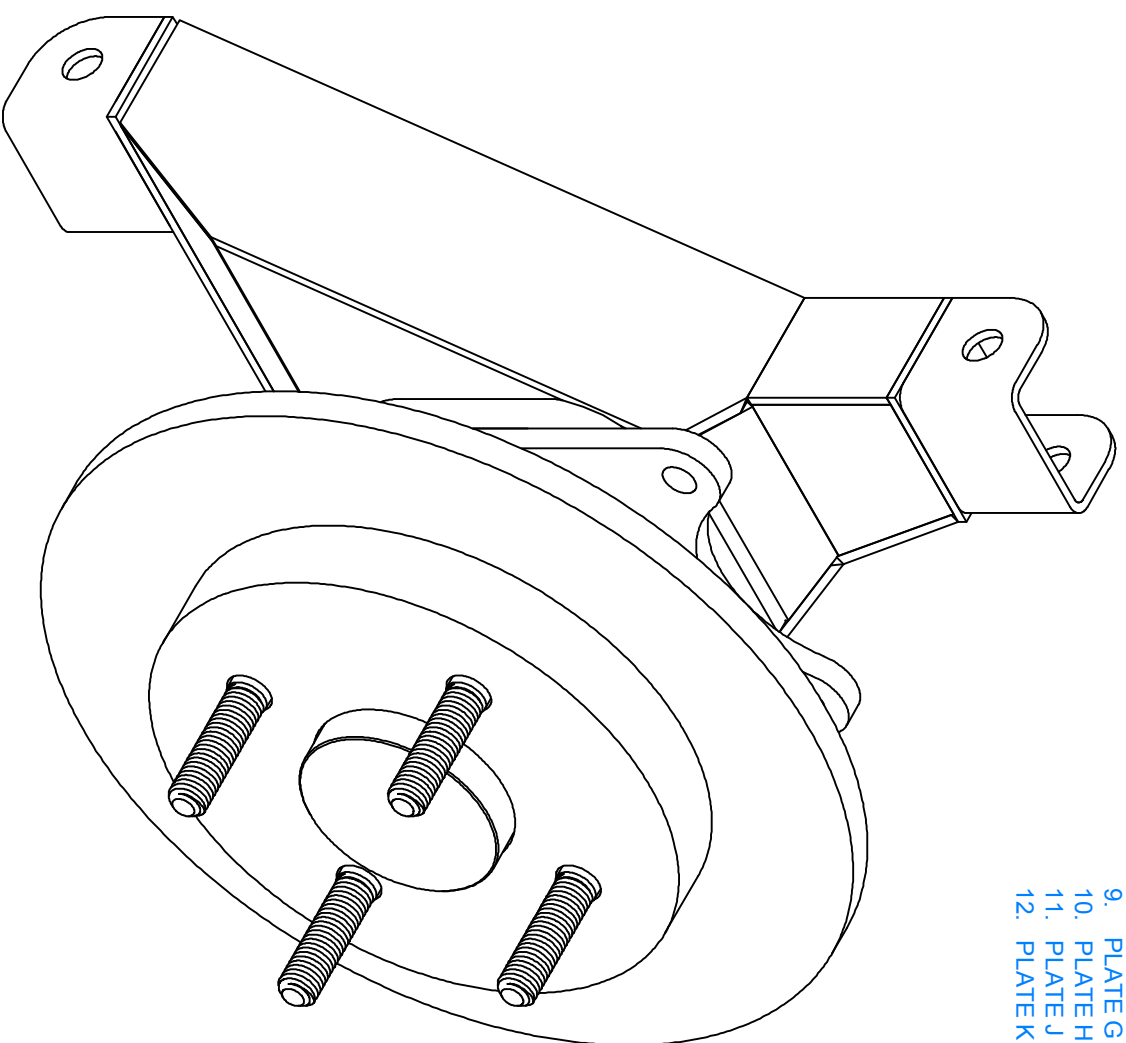


THIS DRAWING IS CONFIDENTIAL AND IS SUPPLIED ON THE EXPRESS CONDITION THAT IT SHALL NOT BE LOANED, COPIED OR DISCLOSED TO ANY OTHER PERSON NOR USED FOR ANY OTHER PURPOSE WITHOUT THE WRITTEN CONSENT OF RORTY DESIGN

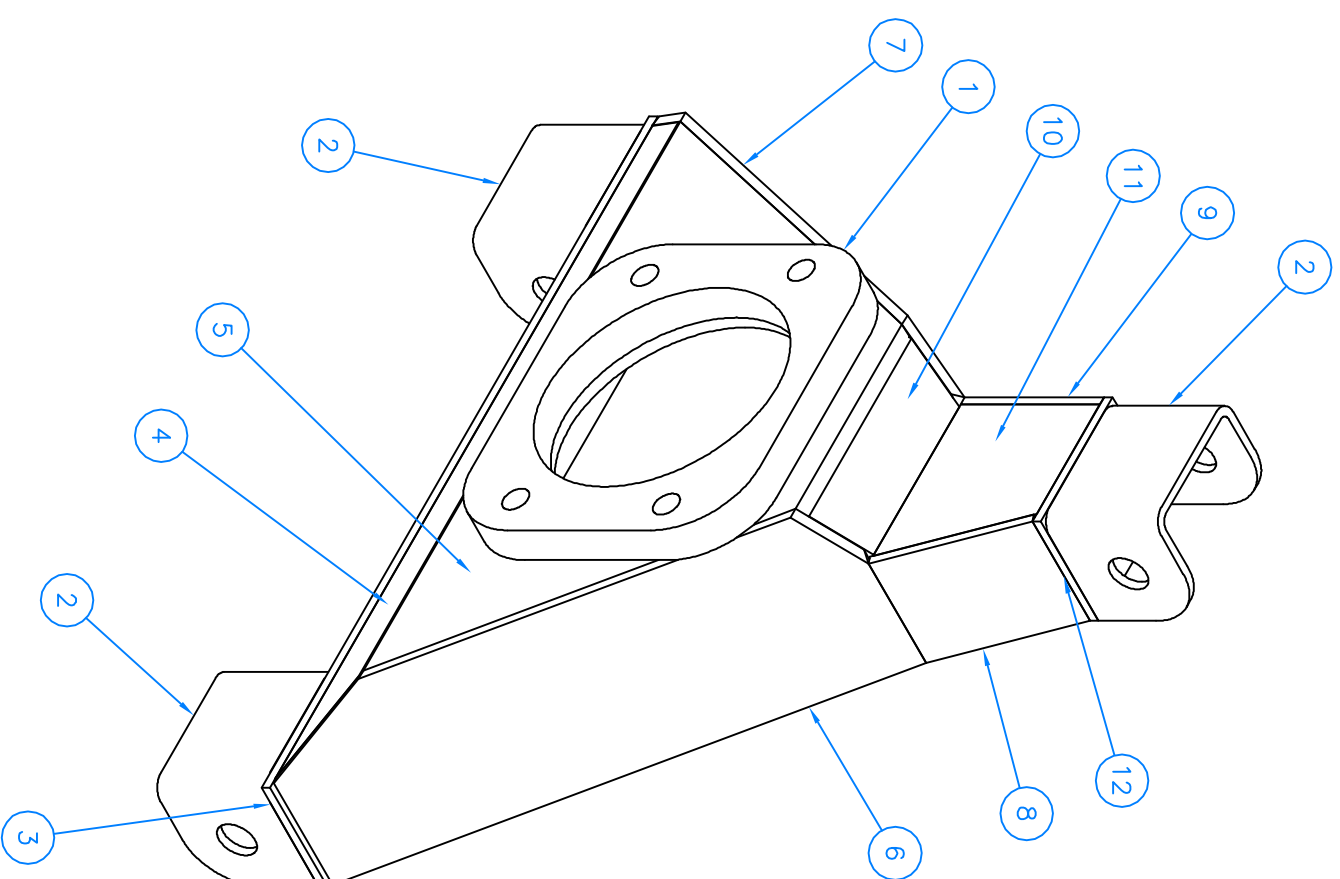
- UNLESS SPECIFIED OTHERWISE:
- 1. ALL DIMENSIONS ARE IN MILLIMETERS
  - 2. REMOVE ALL BURRS & SHARP EDGES
  - 3. CORNER RADII R0.75
  - 4. CHAMFER SIZE 0.75 x 45°
  - 5. CONCENTRICITY 0.05 TIR

UNLESS SPECIFIED OTHERWISE: TOLERANCES ANGULAR ± 0.5°

.X ± 0.5  
.XX ± 0.25  
.XXX ± 0.125



- 1. HUB PLATE
- 2. WISHBONE BRACKET
- 3. PLATE A
- 4. PLATE B
- 5. PLATE C
- 6. PLATE D
- 7. PLATE E
- 8. PLATE F
- 9. PLATE G
- 10. PLATE H
- 11. PLATE J
- 12. PLATE K



RORTY DESIGN  
 PO BOX 13270  
 LAW COURTS  
 MELBOURNE  
 VIC 8010  
 AUSTRALIA

info@rorty-design.com  
 www.rorty-design.com

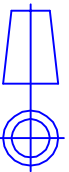
REV No.	DATE & No	REVISIONS	ZONE

SCALE	2:1	SHEET	
DRAWN	R-F-S	DATE	27.10.05
TITLE	LOCOST IRS		

REAR UPRIGHT

DRG No RDLIRS 23-1

# A3



FIRST ANGLE PROJECTION

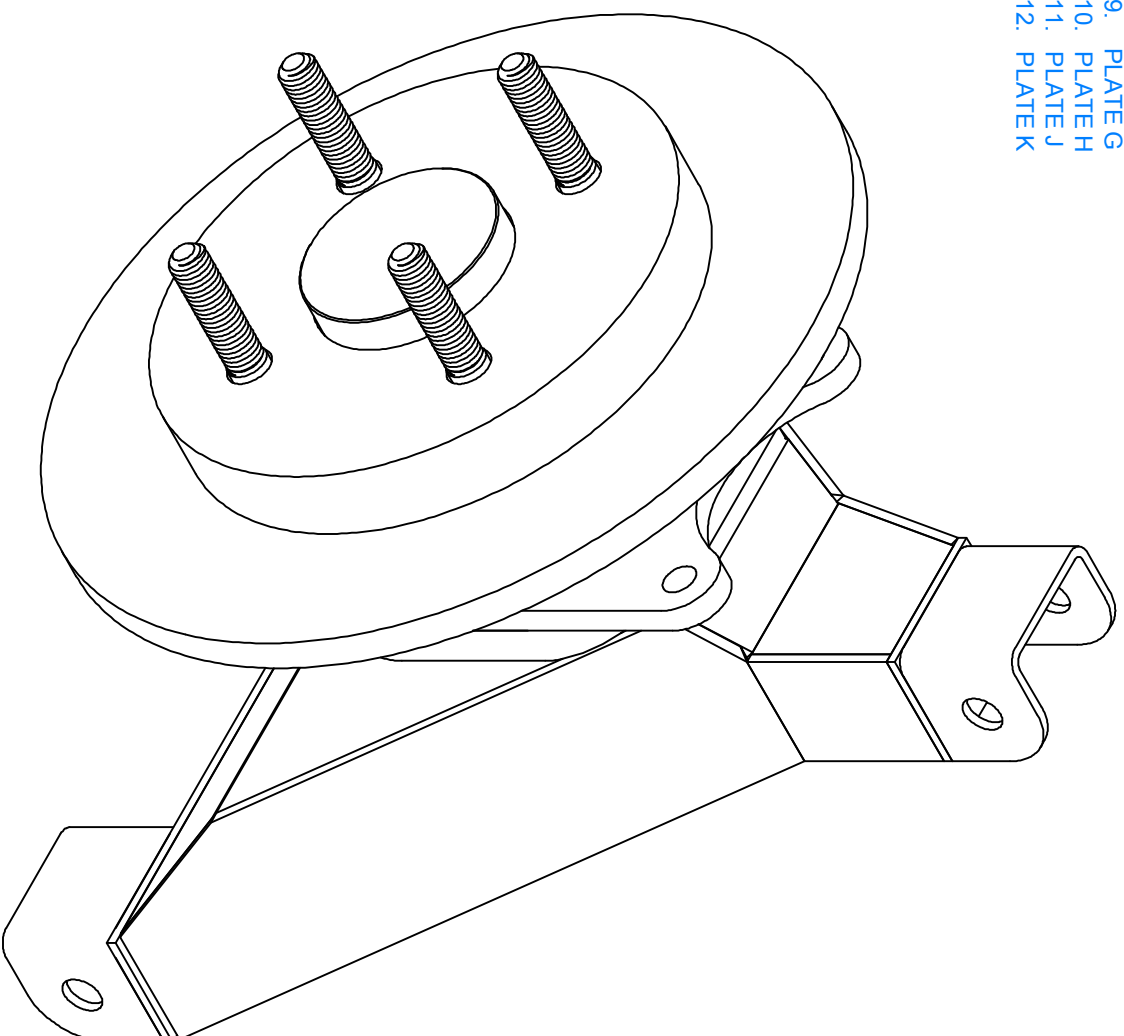
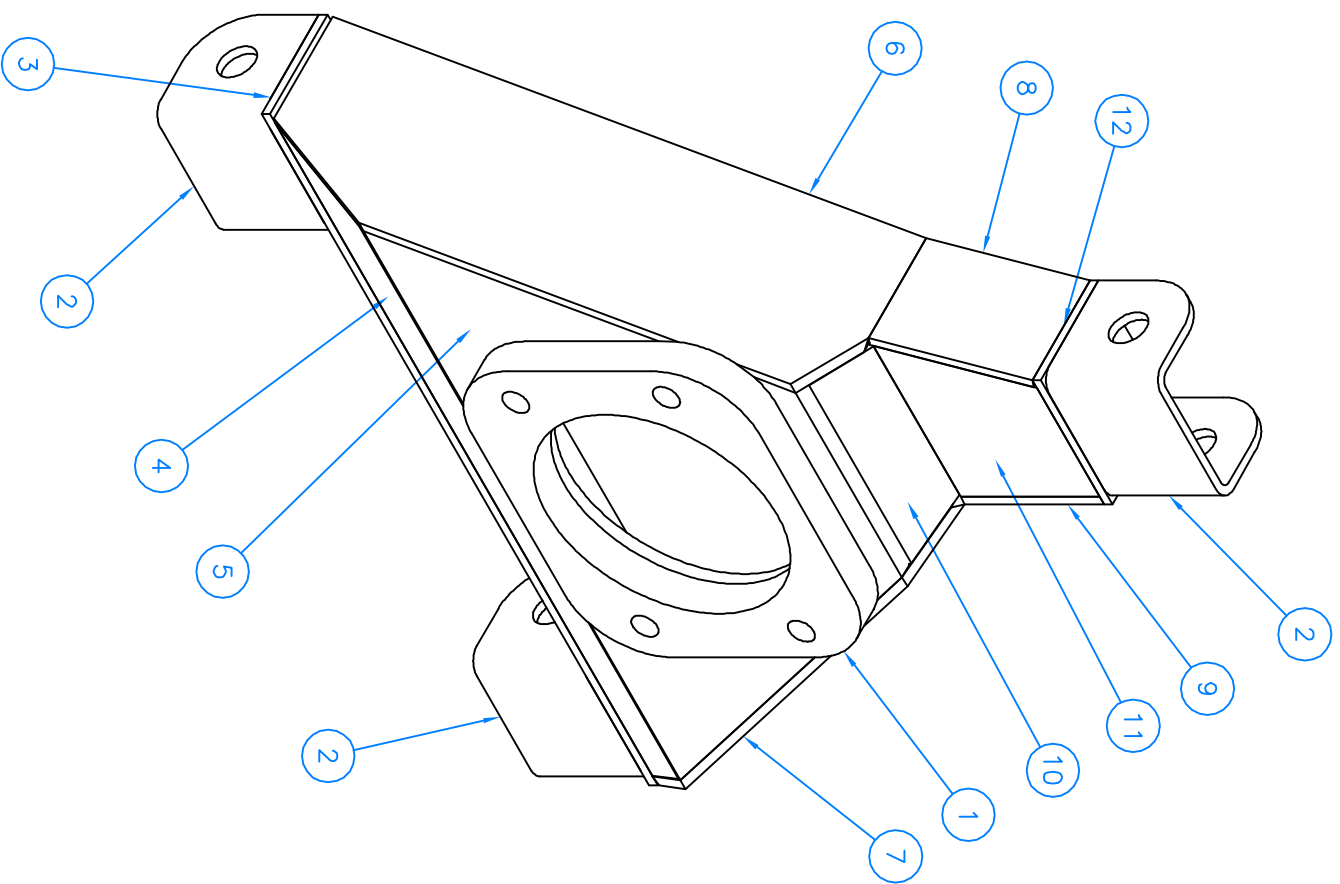
THIS DRAWING IS CONFIDENTIAL AND IS SUPPLIED ON THE EXPRESS CONDITION THAT IT SHALL NOT BE LOANED, COPIED OR DISCLOSED TO ANY OTHER PERSON NOR USED FOR ANY OTHER PURPOSE WITHOUT THE WRITTEN CONSENT OF RORTY DESIGN

UNLESS SPECIFIED OTHERWISE: TOLERANCES ANGULAR  $\pm 0.5^\circ$

.X  $\pm 0.5$   
.XX  $\pm 0.25$   
.XXX  $\pm 0.125$

UNLESS SPECIFIED OTHERWISE:  
1. ALL DIMENSIONS ARE IN MILLIMETERS  
2. REMOVE ALL BURRS & SHARP EDGES  
3. CORNER RADII R0.75  
4. CHAMFER SIZE 0.75 x 45°  
5. CONCENTRICITY 0.05 TIR

- 1. HUB PLATE
- 2. WISHBONE BRACKET
- 3. PLATE A
- 4. PLATE B
- 5. PLATE C
- 6. PLATE D
- 7. PLATE E
- 8. PLATE F
- 9. PLATE G
- 10. PLATE H
- 11. PLATE J
- 12. PLATE K



RORTY DESIGN  
PO BOX 13270  
LAW COURTS  
MELBOURNE  
VIC 8010  
AUSTRALIA  
info@rorty-design.com  
www.rorty-design.com

REV No.	DATE & No	REVISIONS	ZONE

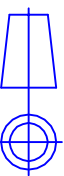
SCALE	2:1	SHEET
DRAWN	R-F-S	DATE 27.10.05
TITLE	LOCOST IRS	

REAR UPRIGHT

DRG No RDLIRS 23-1

# A3

FIRST ANGLE PROJECTION



THIS DRAWING IS CONFIDENTIAL AND IS SUPPLIED ON THE EXPRESS CONDITION THAT IT SHALL NOT BE LOANED, COPIED OR DISCLOSED TO ANY OTHER PERSON NOR USED FOR ANY OTHER PURPOSE WITHOUT THE WRITTEN CONSENT OF RORTY DESIGN

- UNLESS SPECIFIED OTHERWISE:
1. ALL DIMENSIONS ARE IN MILLIMETERS
  2. REMOVE ALL BURRS & SHARP EDGES
  3. CORNER RADII R0.75
  4. CHAMFER SIZE 0.75 x 45°
  5. CONCENTRICITY 0.05 TIR

UNLESS SPECIFIED OTHERWISE: TOLERANCES

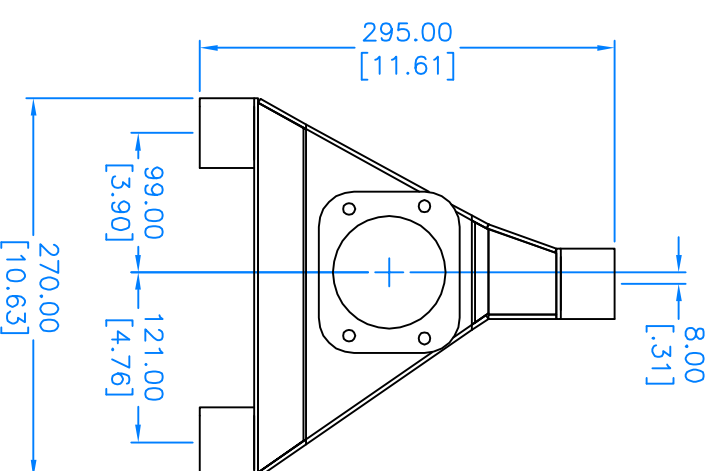
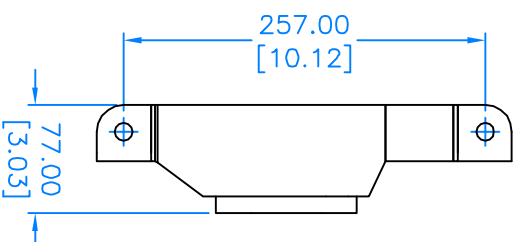
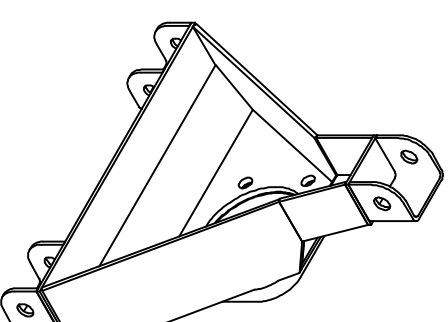
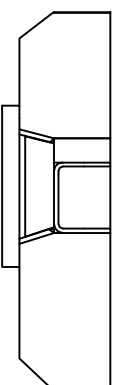
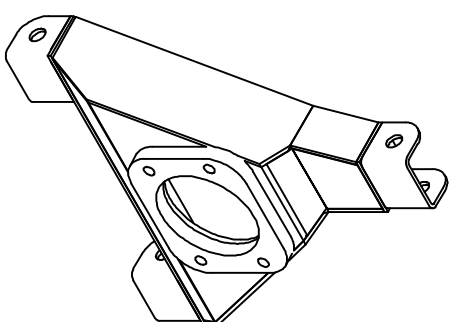
.X ± 0.5  
.XX ± 0.25  
.XXX ± 0.125



RORTY DESIGN  
PO BOX 13270  
LAW COURTS  
MELBOURNE  
VIC 8010  
AUSTRALIA

info@rorty-design.com  
www.rorty-design.com

REV No.	DATE & No	REVISIONS	ZONE



LH UPRIGHT SHOWN. MIRROR FOR RH UPRIGHT.

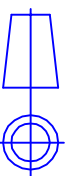
REAR UPRIGHT

SCALE	5:1	SHEET
DRAWN	R-F-S	DATE 27.10.05
TITLE	LOCOST IRS	

DRG No RDLIRS 23-2

# A3

FIRST ANGLE PROJECTION



THIS DRAWING IS CONFIDENTIAL AND IS SUPPLIED ON THE EXPRESS CONDITION THAT IT SHALL NOT BE LOANED, COPIED OR DISCLOSED TO ANY OTHER PERSON NOR USED FOR ANY OTHER PURPOSE WITHOUT THE WRITTEN CONSENT OF RORTY DESIGN

- UNLESS SPECIFIED OTHERWISE:
1. ALL DIMENSIONS ARE IN MILLIMETERS
  2. REMOVE ALL BURRS & SHARP EDGES
  3. CORNER RADII R0.75
  4. CHAMFER SIZE 0.75 x 45°
  5. CONCENTRICITY 0.05 TIR

UNLESS SPECIFIED OTHERWISE: TOLERANCES ANGULAR ± 0.5°

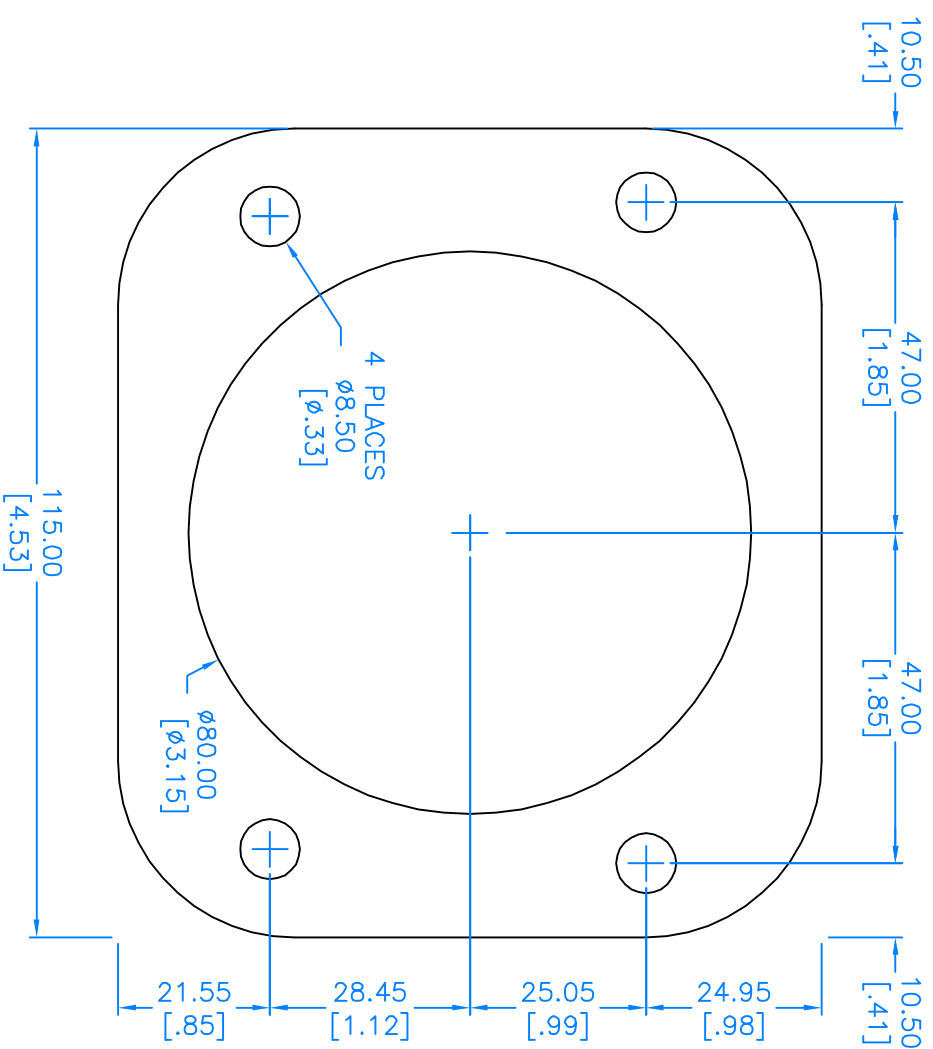
.X ± 0.5  
.XX ± 0.25  
.XXX ± 0.125



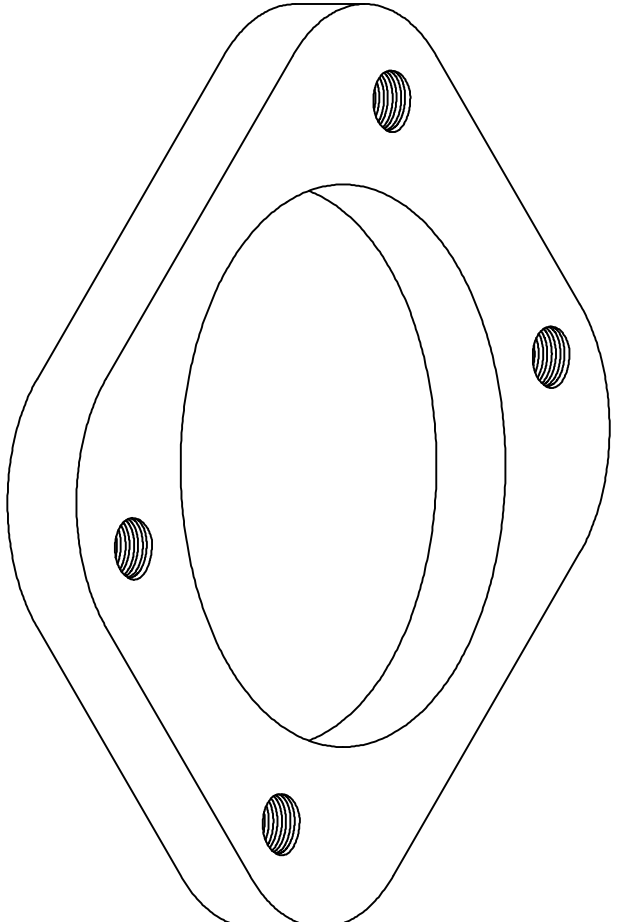
RORTY DESIGN  
PO BOX 13270  
LAW COURTS  
MELBOURNE  
VIC 8010  
AUSTRALIA

info@rorty-design.com  
www.rorty-design.com

REV No.	REVISIONS		ZONE
	DATE & No		



MATERIAL: 12mm CR PLATE  
TAP 4 PLACES M10 X 1.5



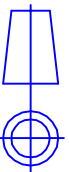
SCALE	1:1	SHEET
DRAWN	R-F-S	DATE 27.10.05
TITLE	LOCOST IRS	

REAR UPRIGHT  
HUB PLATE

DRG No RDLIRS 23-3

# A3

FIRST ANGLE PROJECTION



THIS DRAWING IS CONFIDENTIAL AND IS SUPPLIED ON THE EXPRESS CONDITION THAT IT SHALL NOT BE LOANED, COPIED OR DISCLOSED TO ANY OTHER PERSON NOR USED FOR ANY OTHER PURPOSE WITHOUT THE WRITTEN CONSENT OF RORTY DESIGN

- UNLESS SPECIFIED OTHERWISE:
- 1. ALL DIMENSIONS ARE IN MILLIMETERS
  - 2. REMOVE ALL BURRS & SHARP EDGES
  - 3. CORNER RADII R0.75
  - 4. CHAMFER SIZE 0.75 x 45°
  - 5. CONCENTRICITY 0.05 TIR

UNLESS SPECIFIED OTHERWISE: TOLERANCES

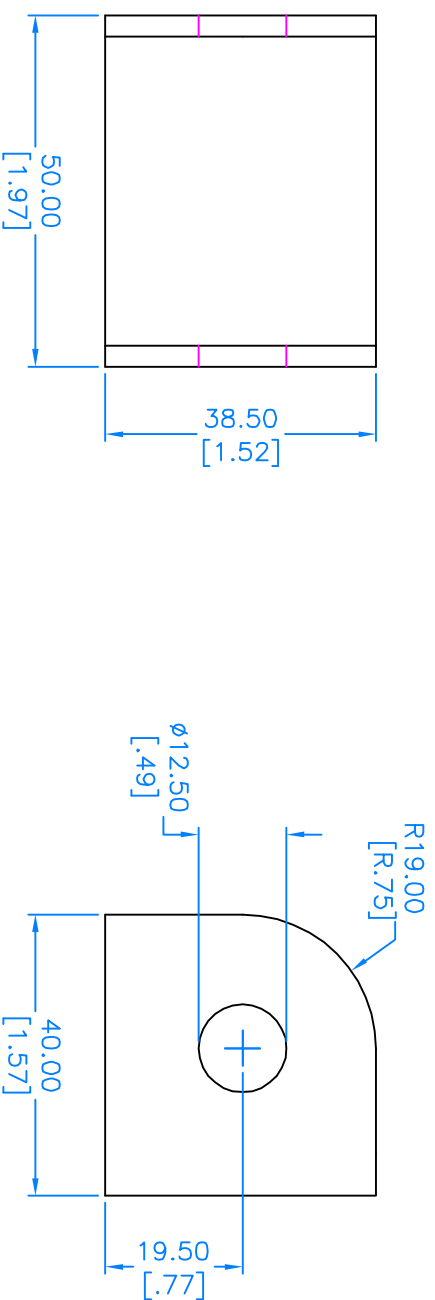
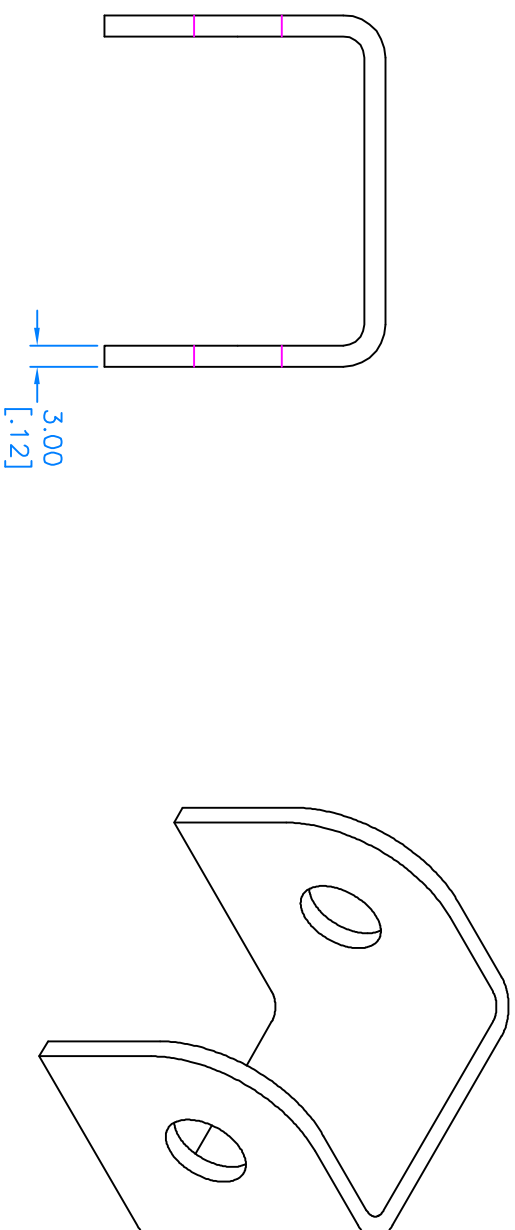
.X ± 0.5  
.XX ± 0.25  
.XXX ± 0.125



RORTY DESIGN  
 PO BOX 13270  
 LAW COURTS  
 MELBOURNE  
 VIC 8010  
 AUSTRALIA

info@rorty-design.com  
 www.rorty-design.com

REV No.	REVISIONS	
	DATE & No	ZONE



MATERIAL: 100 X 50 X 3 RHS [4 X 2 X .120]

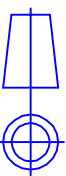
SCALE	1:1	SHEET
DRAWN	R-F-S	DATE 27.10.05
TITLE	LOCOST IRS	

REAR UPRIGHT  
WISHBONE BRACKET

DRG No RDLIRS 23-4

# A3

FIRST ANGLE PROJECTION



THIS DRAWING IS CONFIDENTIAL AND IS SUPPLIED ON THE EXPRESS CONDITION THAT IT SHALL NOT BE LOANED, COPIED OR DISCLOSED TO ANY OTHER PERSON NOR USED FOR ANY OTHER PURPOSE WITHOUT THE WRITTEN CONSENT OF RORTY DESIGN

- UNLESS SPECIFIED OTHERWISE:
1. ALL DIMENSIONS ARE IN MILLIMETERS
  2. REMOVE ALL BURRS & SHARP EDGES
  3. CORNER RADII R0.75
  4. CHAMFER SIZE 0.75 x 45°
  5. CONCENTRICITY 0.05 TIR

UNLESS SPECIFIED OTHERWISE: TOLERANCES ANGULAR ± 0.5°

.X ± 0.5  
.XX ± 0.25  
.XXX ± 0.125

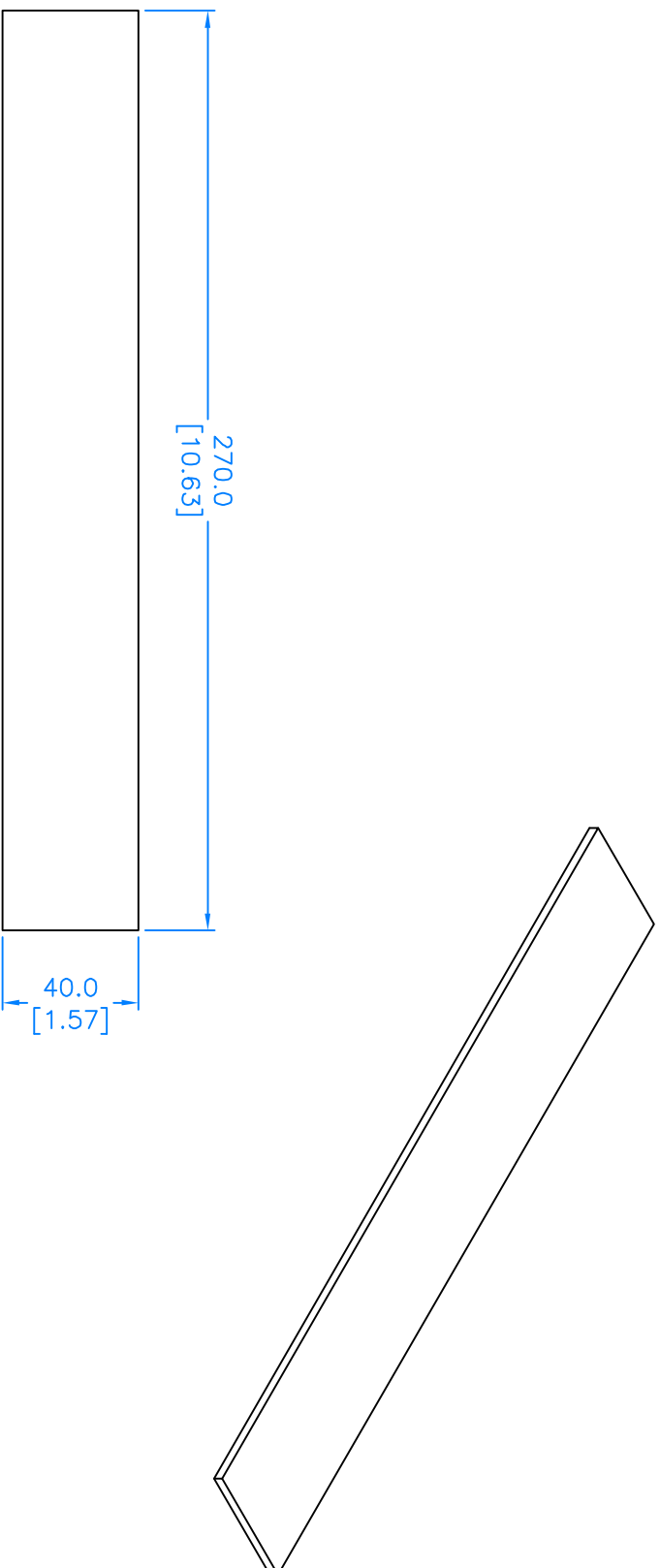


RORTY DESIGN  
 PO BOX 13270  
 LAW COURTS  
 MELBOURNE  
 VIC 8010  
 AUSTRALIA

info@rorty-design.com  
 www.rorty-design.com

REV No.	REVISIONS		ZONE
	DATE & No		

MATERIAL: 3mm [.120] CR STEEL

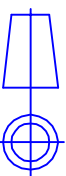


SCALE	2:1	SHEET
DRAWN	R-F-S	DATE 27.10.05
TITLE	LOCOST IRS	

REAR UPRIGHT  
PLATE A

DRG No RDLIRS 23-5

# A3



FIRST ANGLE PROJECTION

THIS DRAWING IS CONFIDENTIAL AND IS SUPPLIED ON THE EXPRESS CONDITION THAT IT SHALL NOT BE LOANED, COPIED OR DISCLOSED TO ANY OTHER PERSON NOR USED FOR ANY OTHER PURPOSE WITHOUT THE WRITTEN CONSENT OF RORTY DESIGN

- UNLESS SPECIFIED OTHERWISE:
1. ALL DIMENSIONS ARE IN MILLIMETERS
  2. REMOVE ALL BURRS & SHARP EDGES
  3. CORNER RADII R0.75
  4. CHAMFER SIZE 0.75 x 45°
  5. CONCENTRICITY 0.05 TIR

UNLESS SPECIFIED OTHERWISE: TOLERANCES ANGULAR ± 0.5°

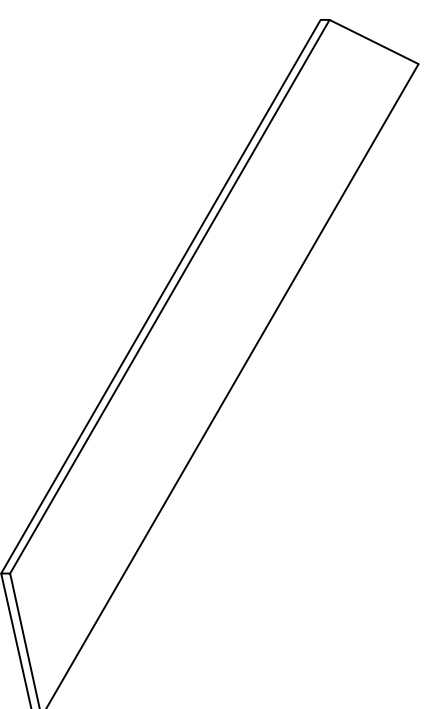
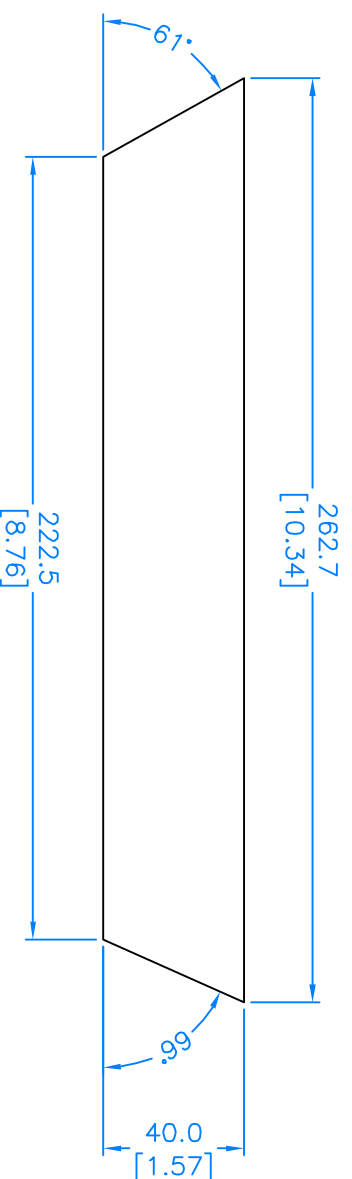
.X ± 0.5  
.XX ± 0.25  
.XXX ± 0.125



RORTY DESIGN  
 PO BOX 13270  
 LAW COURTS  
 MELBOURNE  
 VIC 8010  
 AUSTRALIA

info@rorty-design.com  
 www.rorty-design.com

REVISIONS		
REV No.	DATE & No	ZONE



MATERIAL: 3mm [.120] CR STEEL

SCALE	2:1	SHEET
DRAWN	R F-S	DATE 27.10.05
TITLE	LOCOST IRS	

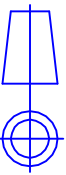
REAR UPRIGHT  
PLATE B

DRG No RDLIRS 23-6



# A3

FIRST ANGLE PROJECTION



THIS DRAWING IS CONFIDENTIAL AND IS SUPPLIED ON THE EXPRESS CONDITION THAT IT SHALL NOT BE LOANED, COPIED OR DISCLOSED TO ANY OTHER PERSON NOR USED FOR ANY OTHER PURPOSE WITHOUT THE WRITTEN CONSENT OF RORTY DESIGN

- UNLESS SPECIFIED OTHERWISE:
1. ALL DIMENSIONS ARE IN MILLIMETERS
  2. REMOVE ALL BURRS & SHARP EDGES
  3. CORNER RADII R0.75
  4. CHAMFER SIZE 0.75 x 45°
  5. CONCENTRICITY 0.05 TIR

UNLESS SPECIFIED OTHERWISE: TOLERANCES ANGULAR ± 0.5°

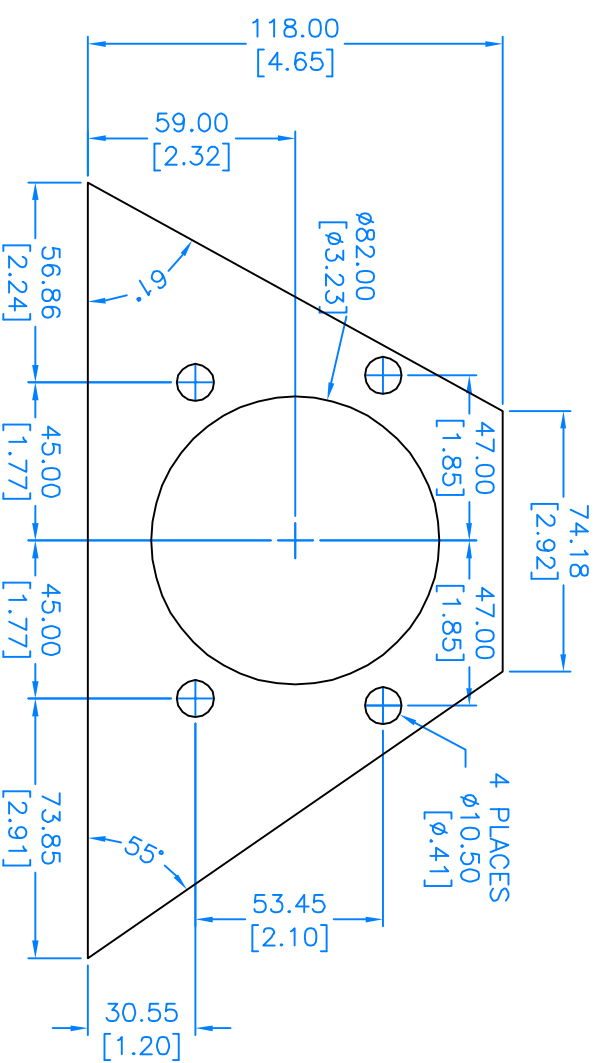
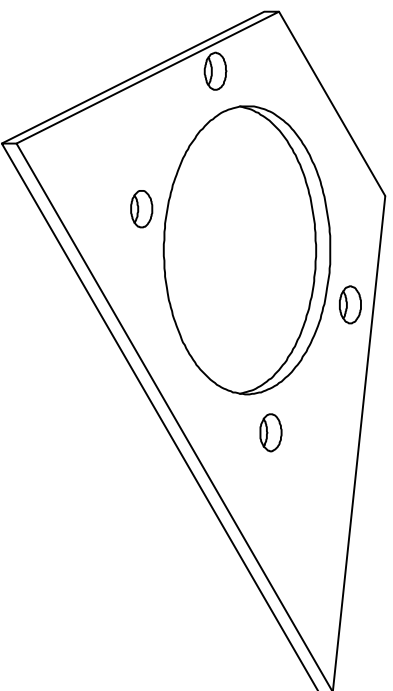
.X ± 0.5  
.XX ± 0.25  
.XXX ± 0.125



RORTY DESIGN  
 PO BOX 13270  
 LAW COURTS  
 MELBOURNE  
 VIC 8010  
 AUSTRALIA

info@rorty-design.com  
 www.rorty-design.com

REV No.	DATE & No	REVISIONS	ZONE



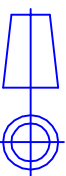
MATERIAL: 5mm [.188] CR STEEL

SCALE	2:1	SHEET
DRAWN	R.F.S	DATE 27.10.05
TITLE	LOCOST IRS	

REAR UPRIGHT  
PLATE C

DRG No RDLIRS 23-7

# A3



FIRST ANGLE PROJECTION

THIS DRAWING IS CONFIDENTIAL AND IS SUPPLIED ON THE EXPRESS CONDITION THAT IT SHALL NOT BE LOANED, COPIED OR DISCLOSED TO ANY OTHER PERSON NOR USED FOR ANY OTHER PURPOSE WITHOUT THE WRITTEN CONSENT OF RORTY DESIGN

- UNLESS SPECIFIED OTHERWISE:
1. ALL DIMENSIONS ARE IN MILLIMETERS
  2. REMOVE ALL BURRS & SHARP EDGES
  3. CORNER RADII R0.75
  4. CHAMFER SIZE 0.75 x 45°
  5. CONCENTRICITY 0.05 TIR

UNLESS SPECIFIED OTHERWISE: TOLERANCES ANGULAR ± 0.5°

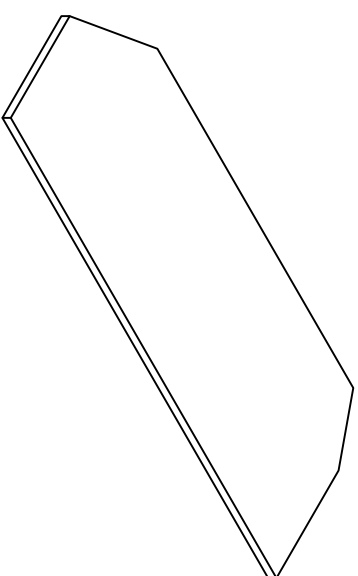
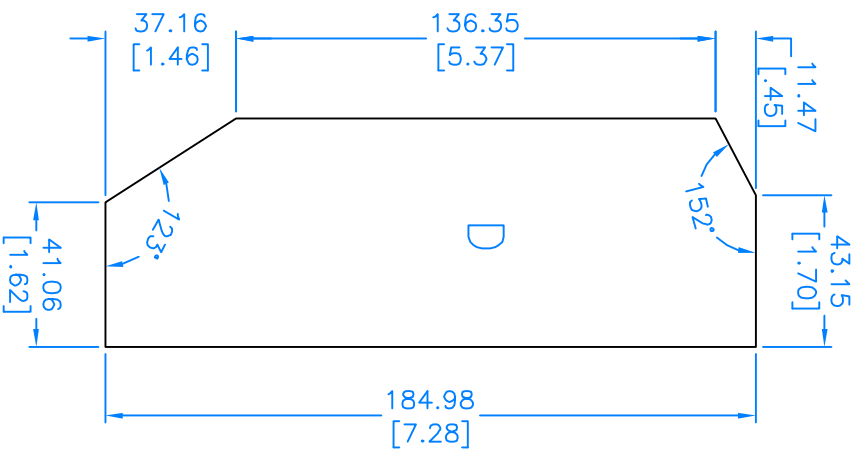
.X ± 0.5  
.XX ± 0.25  
.XXX ± 0.125



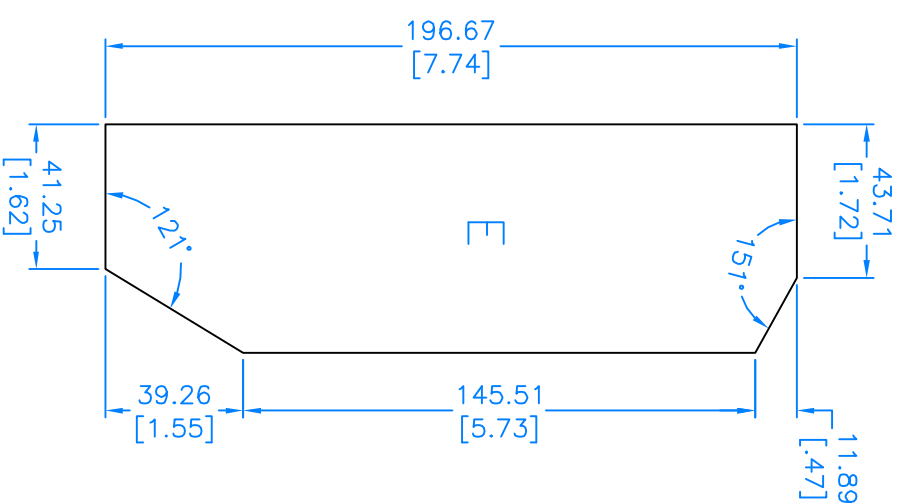
RORTY DESIGN  
 PO BOX 13270  
 LAW COURTS  
 MELBOURNE  
 VIC 8010  
 AUSTRALIA

info@rorty-design.com  
 www.rorty-design.com

REV No.	REVISIONS		ZONE
	DATE & No		



MATERIAL: 3mm [.120] CR STEEL

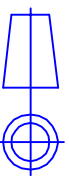


SCALE	2:1	SHEET
DRAWN	R-F-S	DATE 27.10.05
TITLE	LOCOST IRS	

REAR UPRIGHT PLATES D & E

DRG No RDLIRS 23-8

# A3



FIRST ANGLE PROJECTION

THIS DRAWING IS CONFIDENTIAL AND IS SUPPLIED ON THE EXPRESS CONDITION THAT IT SHALL NOT BE LOANED, COPIED OR DISCLOSED TO ANY OTHER PERSON NOR USED FOR ANY OTHER PURPOSE WITHOUT THE WRITTEN CONSENT OF RORTY DESIGN

- UNLESS SPECIFIED OTHERWISE:
1. ALL DIMENSIONS ARE IN MILLIMETERS
  2. REMOVE ALL BURRS & SHARP EDGES
  3. CORNER RADII R0.75
  4. CHAMFER SIZE 0.75 x 45°
  5. CONCENTRICITY 0.05 TIR

UNLESS SPECIFIED OTHERWISE: TOLERANCES ANGULAR ± 0.5°

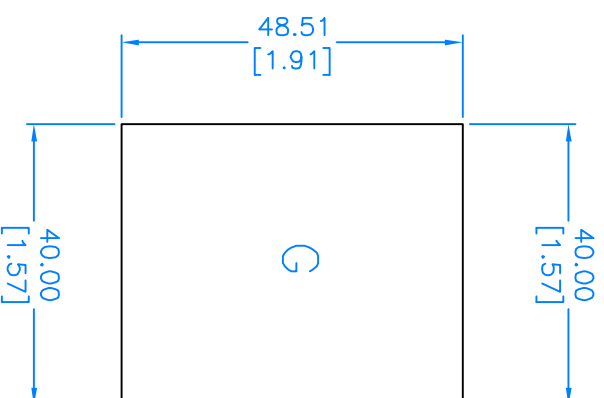
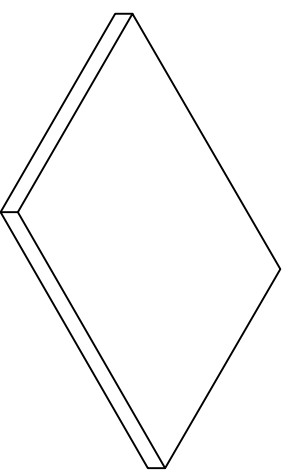
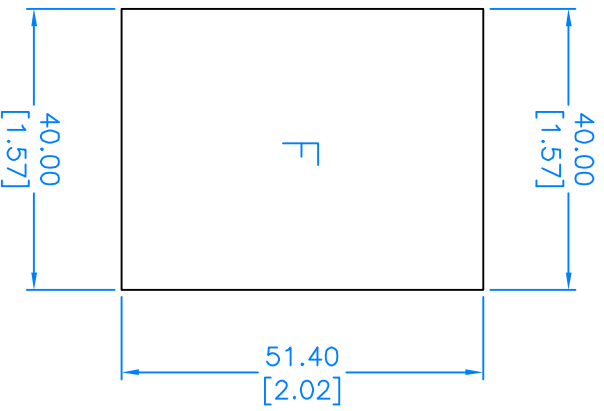
.X ± 0.5  
.XX ± 0.25  
.XXX ± 0.125



RORTY DESIGN  
 PO BOX 13270  
 LAW COURTS  
 MELBOURNE  
 VIC 8010  
 AUSTRALIA

info@rorty-design.com  
 www.rorty-design.com

REV No.	REVISIONS	
	DATE & No	ZONE



MATERIAL: 3mm [.120] CR PLATE

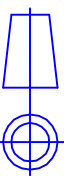
SCALE	1:1	SHEET
DRAWN	R-F-S	DATE 27.10.05
TITLE	LOCOST IRS	

REAR UPRIGHT  
HUB PLATE

DRG No RDLIRS 23-3

# A3

FIRST ANGLE PROJECTION



THIS DRAWING IS CONFIDENTIAL AND IS SUPPLIED ON THE EXPRESS CONDITION THAT IT SHALL NOT BE LOANED, COPIED OR DISCLOSED TO ANY OTHER PERSON NOR USED FOR ANY OTHER PURPOSE WITHOUT THE WRITTEN CONSENT OF RORTY DESIGN

- UNLESS SPECIFIED OTHERWISE:
1. ALL DIMENSIONS ARE IN MILLIMETERS
  2. REMOVE ALL BURRS & SHARP EDGES
  3. CORNER RADII R0.75
  4. CHAMFER SIZE 0.75 x 45°
  5. CONCENTRICITY 0.05 TIR

UNLESS SPECIFIED OTHERWISE: TOLERANCES ANGULAR ± 0.5°

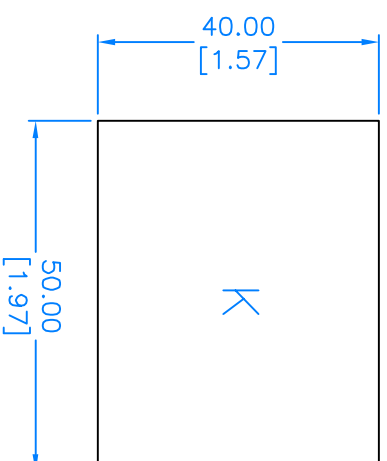
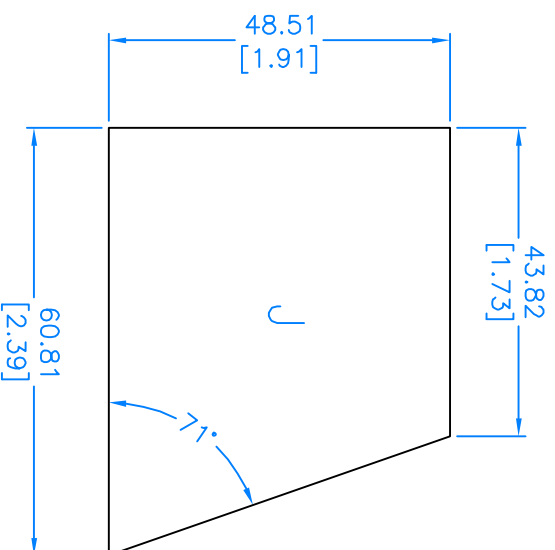
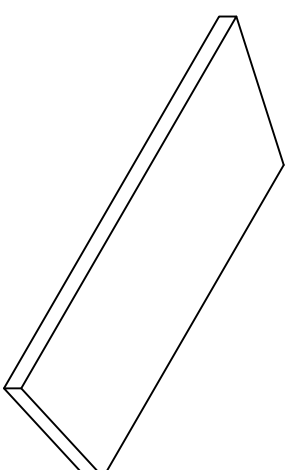
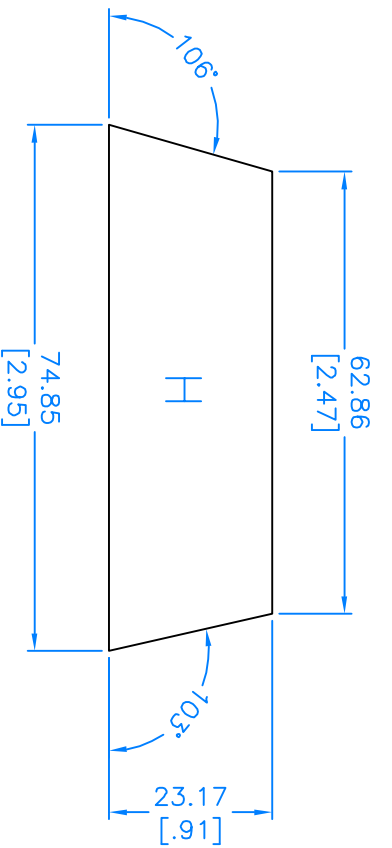
.X ± 0.5  
.XX ± 0.25  
.XXX ± 0.125



RORTY DESIGN  
 PO BOX 13270  
 LAW COURTS  
 MELBOURNE  
 VIC 8010  
 AUSTRALIA

info@rorty-design.com  
 www.rorty-design.com

REV No.	REVISIONS	
	DATE & No	ZONE

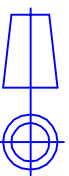


MATERIAL: 3mm [.120] CR PLATE

SCALE	1:1	SHEET
DRAWN	R-F-S	DATE 27.10.05
TITLE	LOCOST IRS	
REAR UPRIGHT PLATES H J & K		

DRG No RDLIRS 23-10

# A3



FIRST ANGLE PROJECTION

THIS DRAWING IS CONFIDENTIAL AND IS SUPPLIED ON THE EXPRESS CONDITION THAT IT SHALL NOT BE LOANED, COPIED OR DISCLOSED TO ANY OTHER PERSON NOR USED FOR ANY OTHER PURPOSE WITHOUT THE WRITTEN CONSENT OF RORTY DESIGN

- UNLESS SPECIFIED OTHERWISE:
1. ALL DIMENSIONS ARE IN MILLIMETERS
  2. REMOVE ALL BURRS & SHARP EDGES
  3. CORNER RADII R0.75
  4. CHAMFER SIZE 0.75 x 45°
  5. CONCENTRICITY 0.05 TIR

UNLESS SPECIFIED OTHERWISE: TOLERANCES ANGULAR ± 0.5°

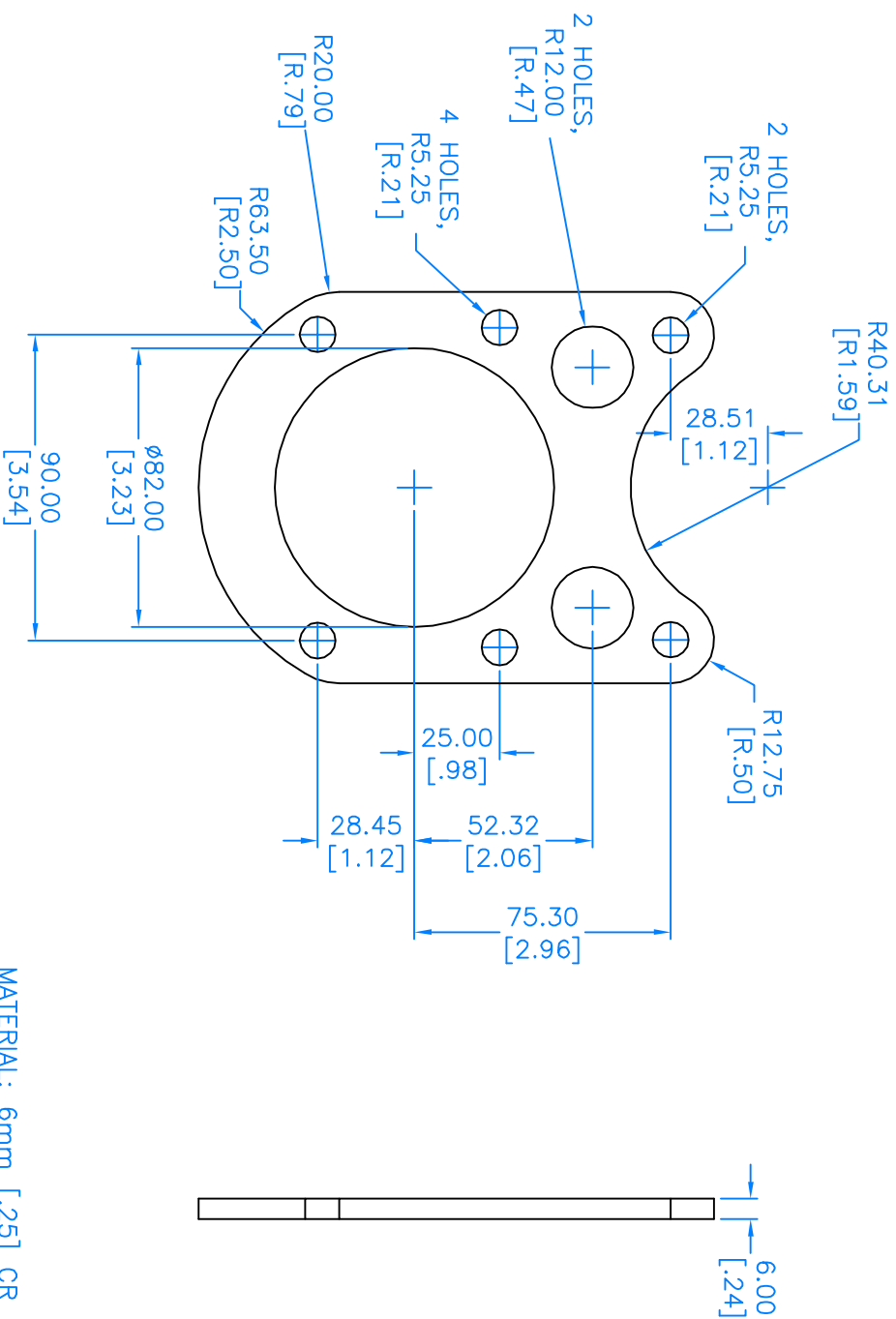
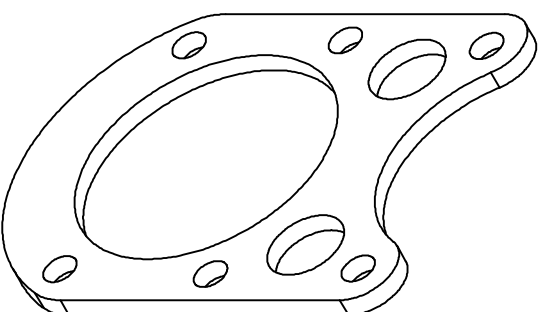
.X ± 0.5  
.XX ± 0.25  
.XXX ± 0.125



RORTY DESIGN  
 PO BOX 13270  
 LAW COURTS  
 MELBOURNE  
 VIC 8010  
 AUSTRALIA

info@rorty-design.com  
 www.rorty-design.com

REV No.	REVISIONS		ZONE
	DATE & No		



MATERIAL: 6mm [.25] CR PLATE

SCALE	2:1	SHEET
DRAWN	R F-S	DATE 27.10.05
TITLE	LOCOST IRS	

REAR UPRIGHT - CALLIPER BRACKET

DRG No RDLIRS 23-11





# A3



THIS DRAWING IS CONFIDENTIAL AND IS SUPPLIED ON THE EXPRESS CONDITION THAT IT SHALL NOT BE LOANED, COPIED OR DISCLOSED TO ANY OTHER PERSON NOR USED FOR ANY OTHER PURPOSE WITHOUT THE WRITTEN CONSENT OF RORTY DESIGN

UNLESS SPECIFIED OTHERWISE: TOLERANCES ANGULAR  $\pm 0.5^\circ$

.X  $\pm 0.5$   
.XX  $\pm 0.25$   
.XXX  $\pm 0.125$

- UNLESS SPECIFIED OTHERWISE:
1. ALL DIMENSIONS ARE IN MILLIMETERS
  2. REMOVE ALL BURRS & SHARP EDGES
  3. CORNER RADII R0.75
  4. CHAMFER SIZE 0.75 x 45°
  5. CONCENTRICITY 0.05 TIR

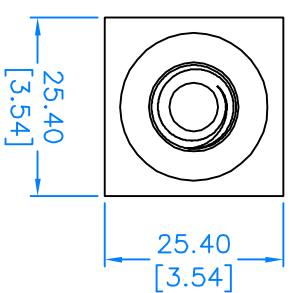
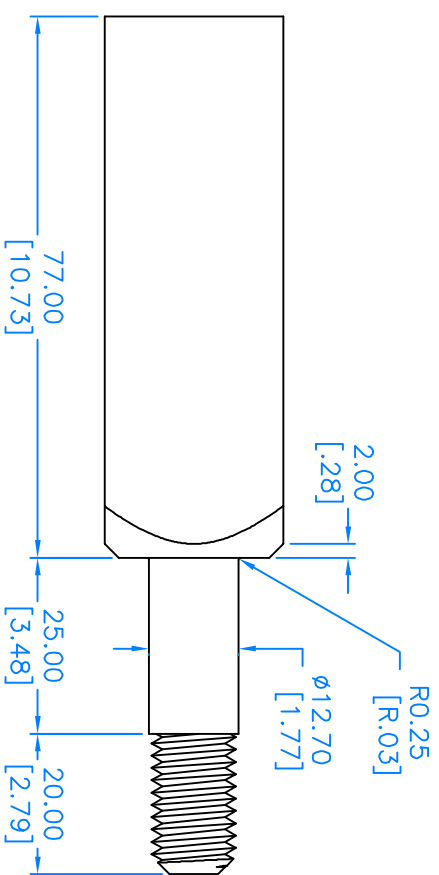
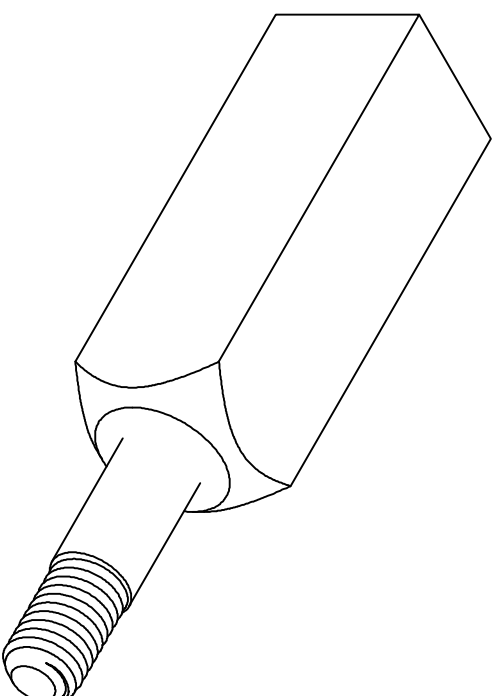


RORTY DESIGN  
 PO BOX 13270  
 LAW COURTS  
 MELBOURNE  
 VIC 8010  
 AUSTRALIA

info@rorty-design.com  
 www.rorty-design.com

REV No.	REVISIONS	
	DATE & No	ZONE

MATERIAL: 25.4mm [1.0] 4140 SQUARE BAR  
 THREADS: 1/2"-13 UNC



SCALE	1:1	SHEET
DRAWN	R-F-S	DATE 27.10.05

TITLE LOCOST IRS

SHOCK MOUNT -  
UPPER

DRG No RDLIRS 25