

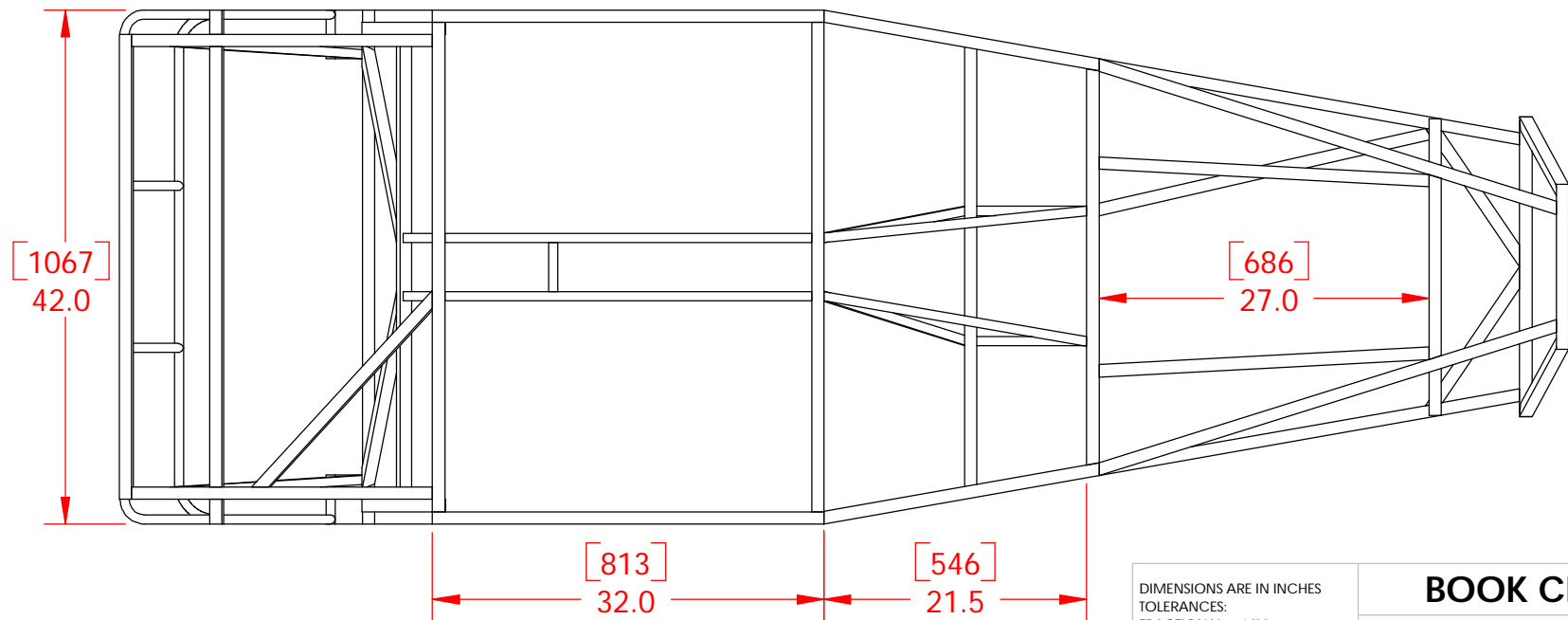
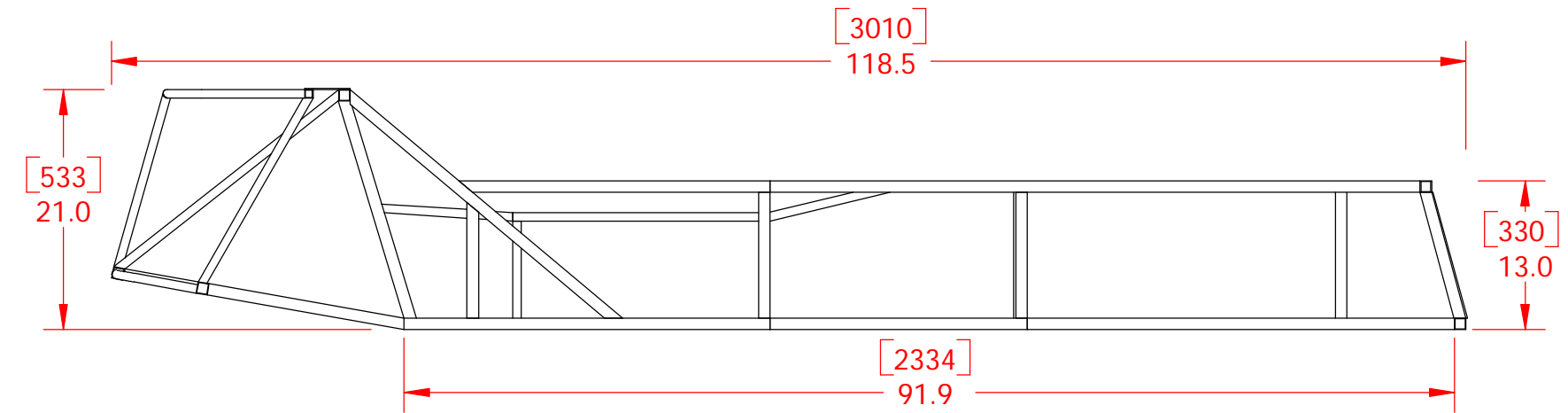
FOR EDUCATIONAL USE ONLY
 THE INFORMATION CONTAINED IN THIS DRAWING IS NOT INTENDED FOR USE IN THE CONSTRUCTION OR MANUFACTURE OF PARTS. THE INFORMATION IS PROVIDED WITHOUT WARRANTY FOR EDUCATIONAL REFERENCE ONLY.

DIMENSIONS ARE IN INCHES
 TOLERANCES:
 FRACTIONAL $\pm 1/32$
 ANGULAR $\pm 1^\circ$
 TWO PLACE DECIMAL $\pm .03$
 THREE PLACE DECIMAL $\pm .010$

MATERIAL

 DO NOT SCALE DRAWING

BOOK CHASSIS			
BASIC CHASSIS			
SIZE A	DWG. NO. Chassis	REV.	
SCALE:1:1	WEIGHT:	SHEET 1 OF 2	



DIMENSIONS ARE IN INCHES
 TOLERANCES:
 FRACTIONAL $\pm 1/32$
 ANGULAR $\pm 1^\circ$
 TWO PLACE DECIMAL $\pm .03$
 THREE PLACE DECIMAL $\pm .010$

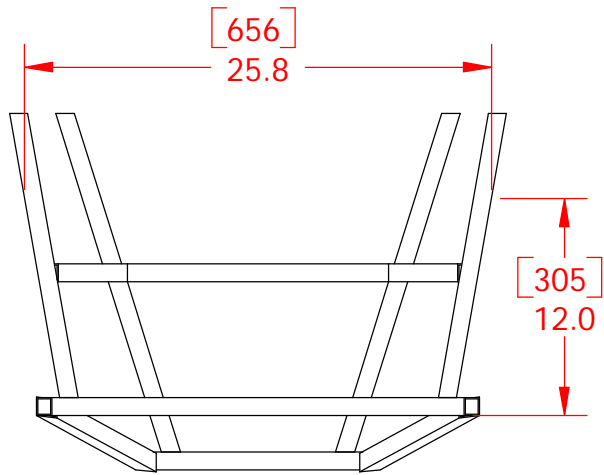
BOOK CHASSIS

CHASSIS PLAN

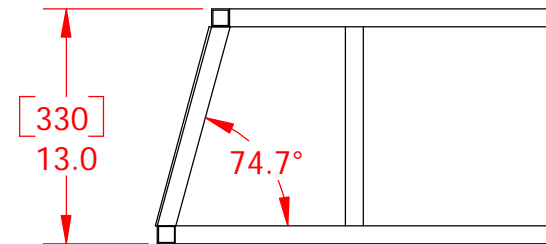
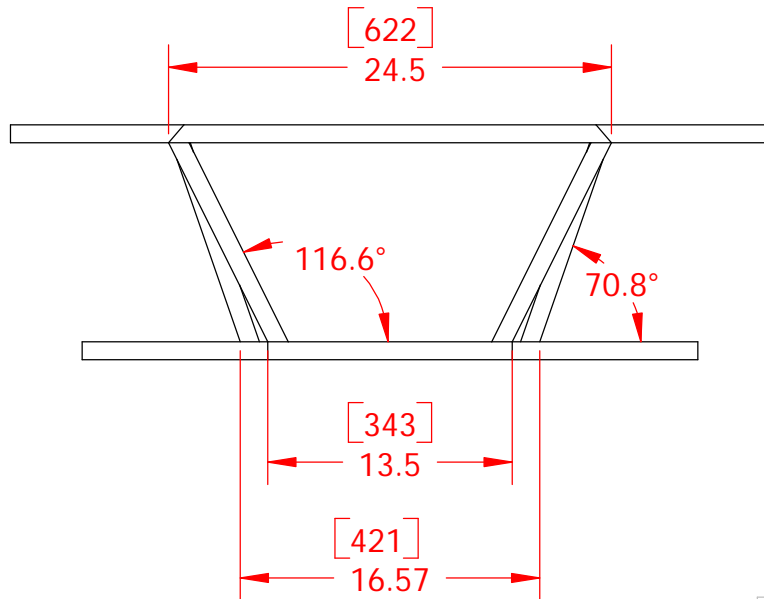
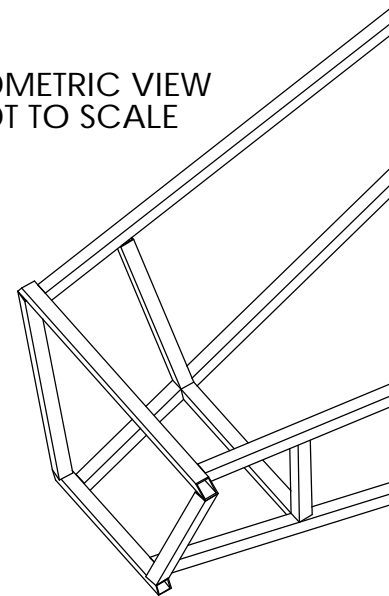
FOR EDUCATIONAL USE ONLY
 THE INFORMATION CONTAINED IN THIS DRAWING IS NOT INTENDED FOR USE IN THE CONSTRUCTION OR MANUFACTURE OF PARTS. THE INFORMATION IS PROVIDED WITHOUT WARRANTY FOR EDUCATIONAL REFERENCE ONLY.

MATERIAL
 DO NOT SCALE DRAWING

SIZE A	DWG. NO. Chassis	REV.
SCALE:1:1	WEIGHT:	SHEET 2 OF 2



ISOMETRIC VIEW
NOT TO SCALE



FOR EDUCATIONAL USE ONLY
THE INFORMATION CONTAINED IN THIS DRAWING IS NOT INTENDED FOR USE IN THE CONSTRUCTION OR MANUFACTURE OF PARTS. THE INFORMATION IS PROVIDED WITHOUT WARRANTY FOR EDUCATIONAL REFERENCE ONLY.

DIMENSIONS ARE IN INCHES
TOLERANCES:
FRACTIONAL $\pm 1/32$
ANGULAR $\pm 1^\circ$
TWO PLACE DECIMAL $\pm .03$
THREE PLACE DECIMAL $\pm .010$

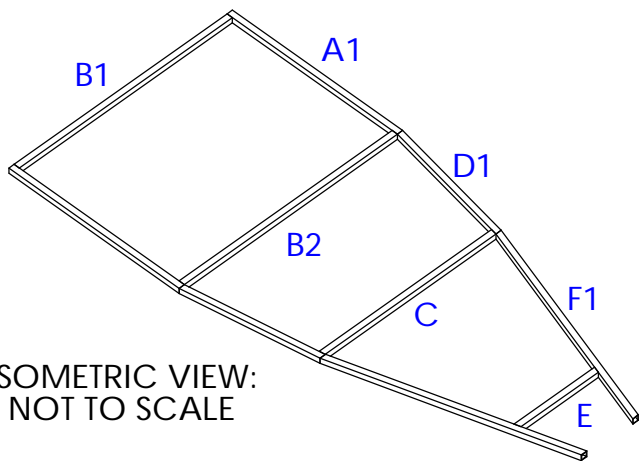
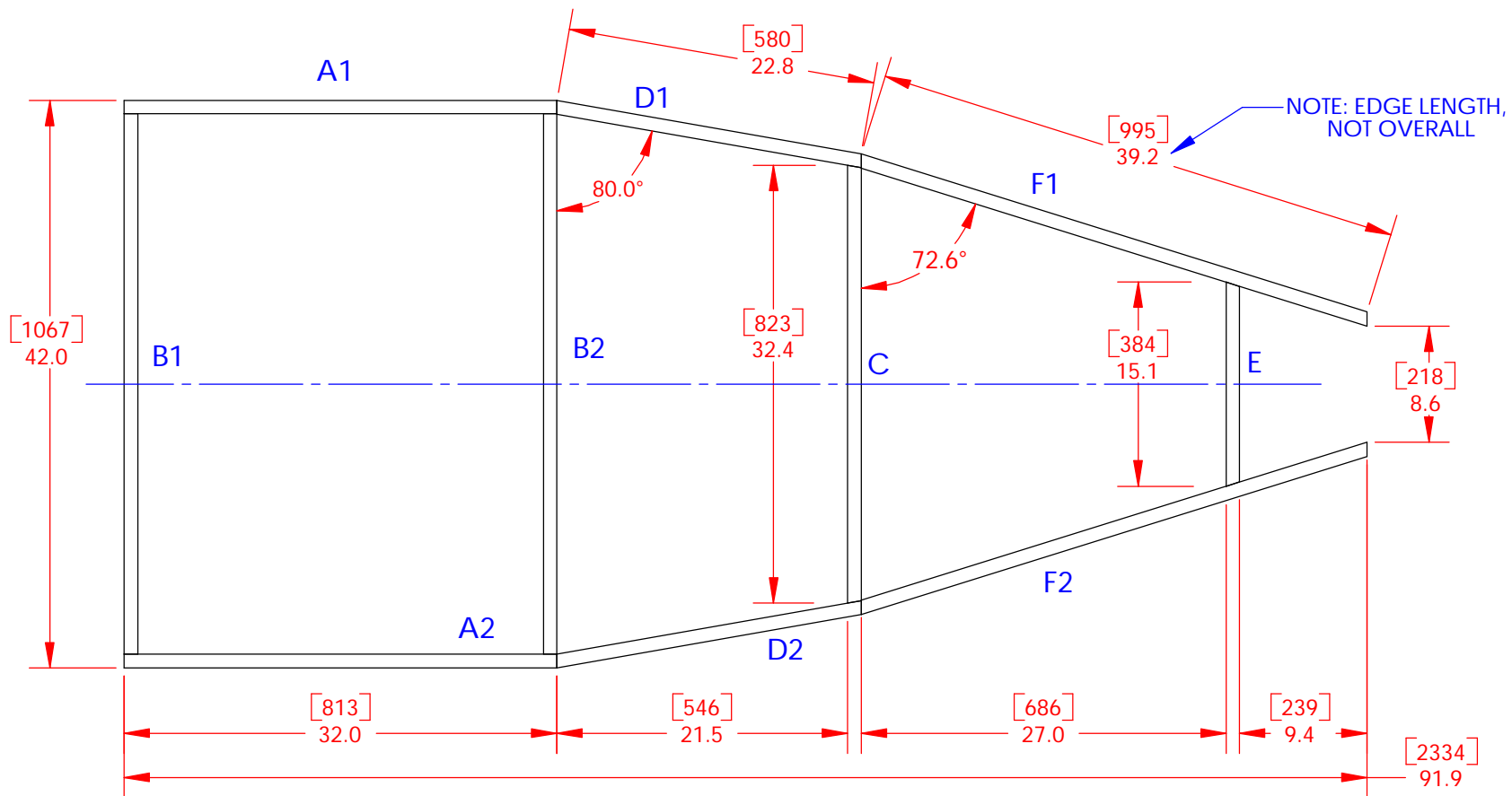
MATERIAL

DO NOT SCALE DRAWING

BOOK CHASSIS

FRONT END DETAIL

SIZE A	DWG. NO. Chassis	REV.
SCALE:1:10	WEIGHT:	SHEET 1 OF 1

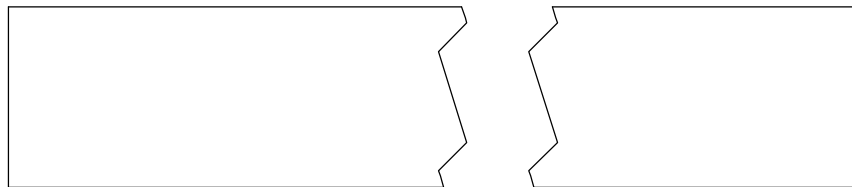
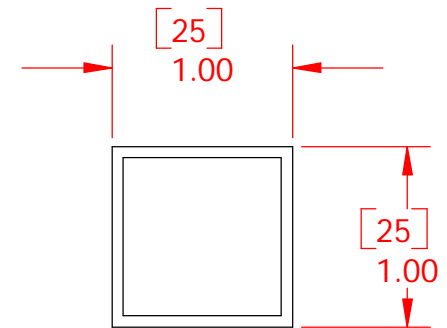
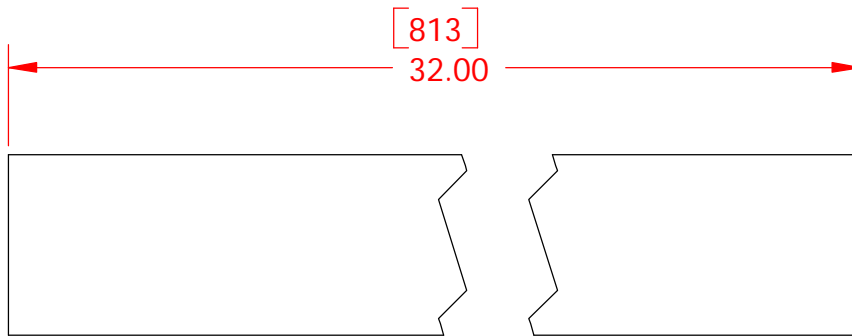


FOR EDUCATIONAL USE ONLY

THE INFORMATION CONTAINED IN THIS DRAWING IS NOT INTENDED FOR USE IN THE CONSTRUCTION OR MANUFACTURE OF PARTS. THE INFORMATION IS PROVIDED WITHOUT WARRANTY FOR EDUCATIONAL REFERENCE ONLY.

DIMENSIONS ARE IN INCHES	
TOLERANCES:	
FRACTIONAL ± 1/32	
ANGULAR ± 1°	
TWO PLACE DECIMAL ± .03	
THREE PLACE DECIMAL ± .010	
MATERIAL	
STEEL - RHS	
1"x1", 16swg	
DO NOT SCALE DRAWING	

BOOK CHASSIS		
BOTTOM RAIL LAYOUT		
SIZE	DWG. NO.	REV.
A	bookFrame	
SCALE: 1:12	WEIGHT:	SHEET 1 OF 1

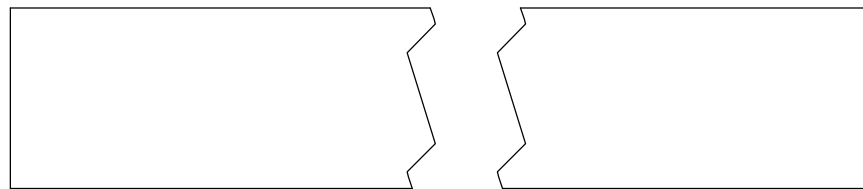
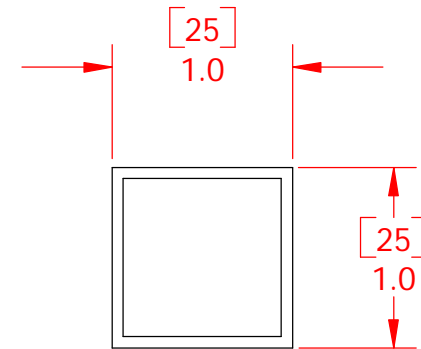
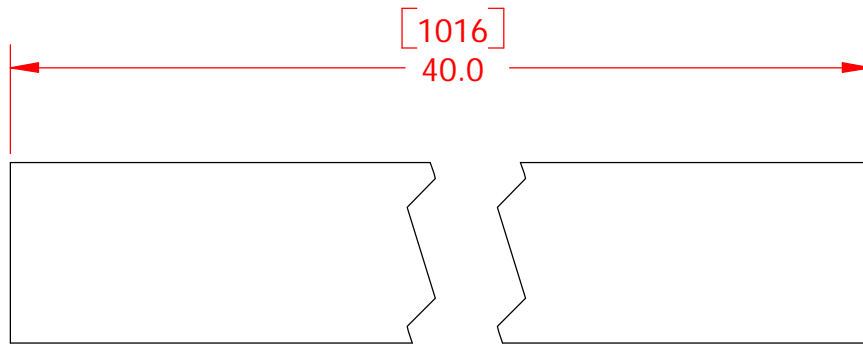


DIMENSIONS ARE IN INCHES
 TOLERANCES:
 FRACTIONAL $\pm 1/32$
 ANGULAR $\pm 1^\circ$
 TWO PLACE DECIMAL $\pm .03$
 THREE PLACE DECIMAL $\pm .010$

FOR EDUCATIONAL USE ONLY
 THE INFORMATION CONTAINED IN THIS DRAWING IS NOT INTENDED FOR USE IN THE CONSTRUCTION OR MANUFACTURE OF PARTS. THE INFORMATION IS PROVIDED WITHOUT WARRANTY FOR EDUCATIONAL REFERENCE ONLY.

MATERIAL
STEEL - RHS
1"x1", 16swg
 DO NOT SCALE DRAWING

BOOK CHASSIS		
COCKPIT BOTTOM SIDE RAIL (A1 & A2)		
SIZE A	DWG. NO. A	REV.
SCALE:1:1	WEIGHT:	SHEET 1 OF 1



DIMENSIONS ARE IN INCHES
 TOLERANCES:
 FRACTIONAL $\pm 1/32$
 ANGULAR $\pm 1^\circ$
 TWO PLACE DECIMAL $\pm .03$
 THREE PLACE DECIMAL $\pm .010$

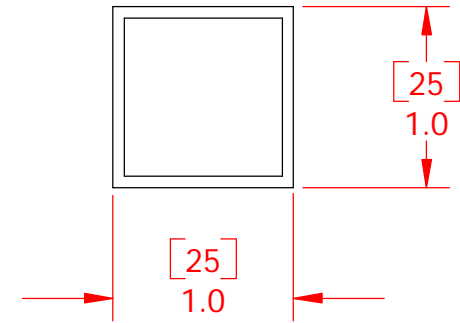
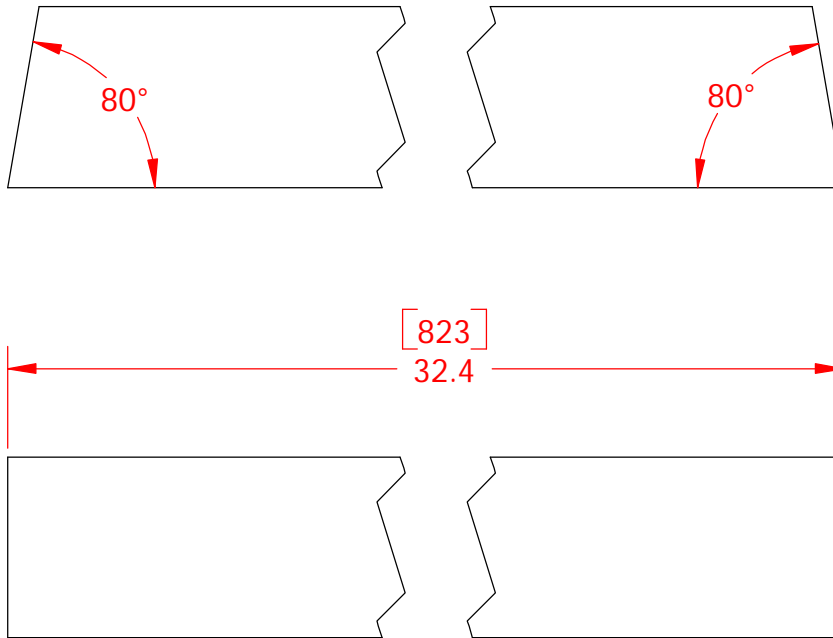
FOR EDUCATIONAL USE ONLY
 THE INFORMATION CONTAINED IN THIS
 DRAWING IS NOT INTENDED FOR USE IN
 THE CONSTRUCTION OR MANUFACTURE
 OF PARTS. THE INFORMATION IS PROVIDED
 WITHOUT WARRANTY FOR EDUCATIONAL
 REFERENCE ONLY.

MATERIAL
STEEL - RHS
1"x1", 16swg
 DO NOT SCALE DRAWING

BOOK CHASSIS

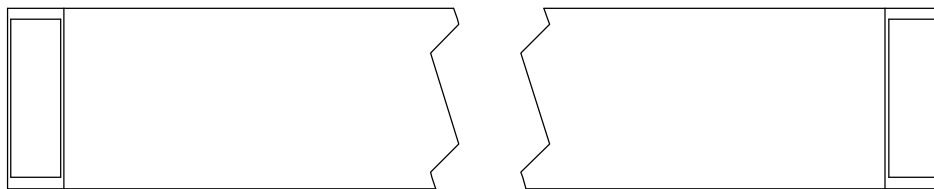
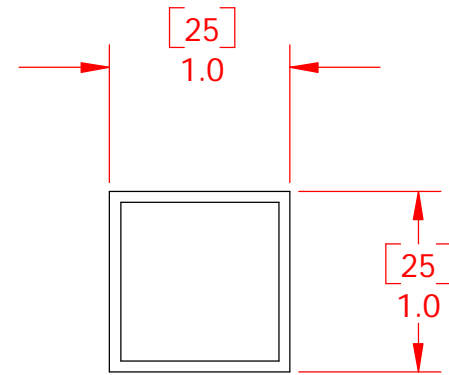
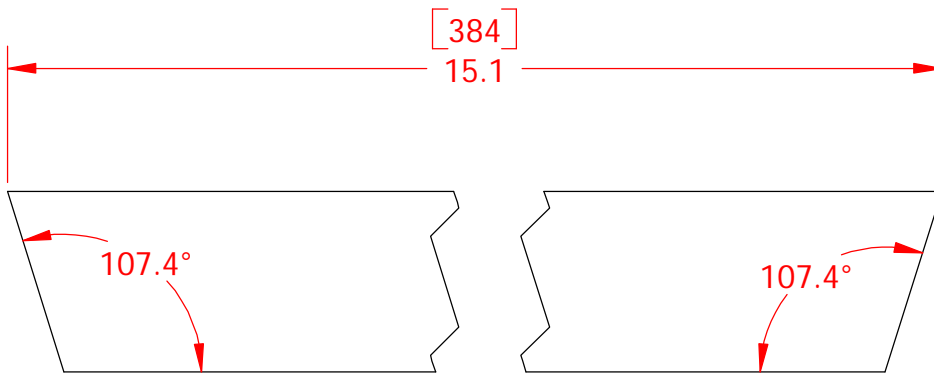
**COCKPIT BOTTOM
 CROSS RAIL
 (B1 & B2)**

SIZE A	DWG. NO. B	REV.
SCALE:1:1	WEIGHT:	SHEET 1 OF 1



DIMENSIONS ARE IN INCHES TOLERANCES: FRACTIONAL $\pm 1/32$ ANGULAR $\pm 1^\circ$ TWO PLACE DECIMAL $\pm .03$ THREE PLACE DECIMAL $\pm .010$		BOOK CHASSIS	
MATERIAL STEEL - RHS 1"x1", 16swg			
DO NOT SCALE DRAWING	SCALE:1:1	DWG. NO. C	REV.
		WEIGHT:	SHEET 1 OF 1

FOR EDUCATIONAL USE ONLY
THE INFORMATION CONTAINED IN THIS DRAWING IS NOT INTENDED FOR USE IN THE CONSTRUCTION OR MANUFACTURE OF PARTS. THE INFORMATION IS PROVIDED WITHOUT WARRANTY FOR EDUCATIONAL REFERENCE ONLY.



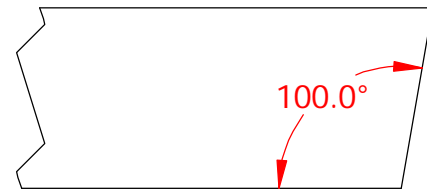
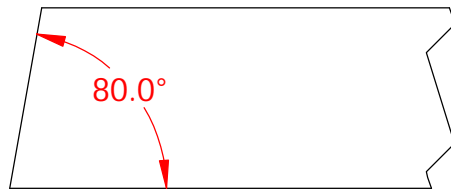
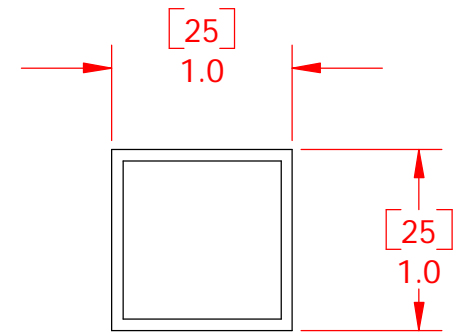
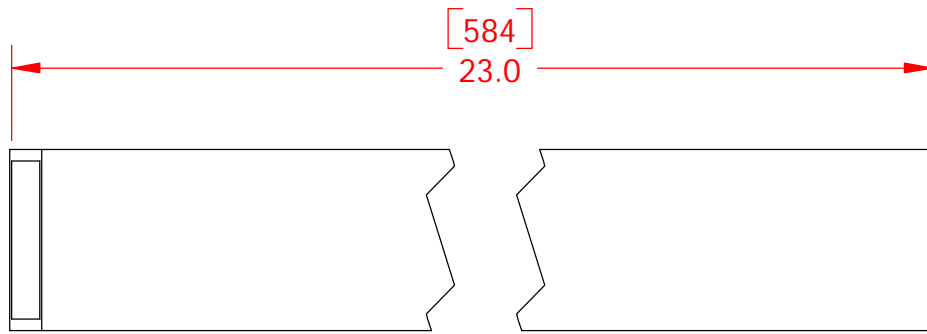
DIMENSIONS ARE IN INCHES
 TOLERANCES:
 FRACTIONAL $\pm 1/32$
 ANGULAR $\pm 1^\circ$
 TWO PLACE DECIMAL $\pm .03$
 THREE PLACE DECIMAL $\pm .010$

BOOK CHASSIS
FRONT ENGINE BAY
BOTTOM CROSS RAIL
(E)

FOR EDUCATIONAL USE ONLY
 THE INFORMATION CONTAINED IN THIS DRAWING IS NOT INTENDED FOR USE IN THE CONSTRUCTION OR MANUFACTURE OF PARTS. THE INFORMATION IS PROVIDED WITHOUT WARRANTY FOR EDUCATIONAL REFERENCE ONLY.

MATERIAL
STEEL - RHS
1"x1", 16swg
 DO NOT SCALE DRAWING

SIZE A	DWG. NO. E	REV.
SCALE:1:1	WEIGHT:	SHEET 1 OF 1



DIMENSIONS ARE IN INCHES
 TOLERANCES:
 FRACTIONAL $\pm 1/32$
 ANGULAR $\pm 1^\circ$
 TWO PLACE DECIMAL $\pm .03$
 THREE PLACE DECIMAL $\pm .010$

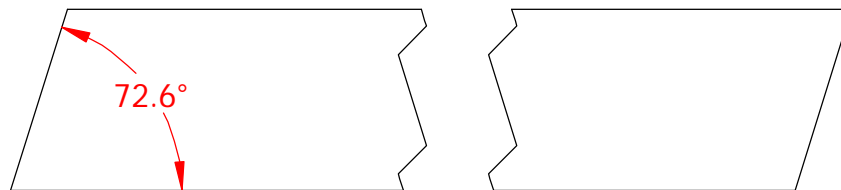
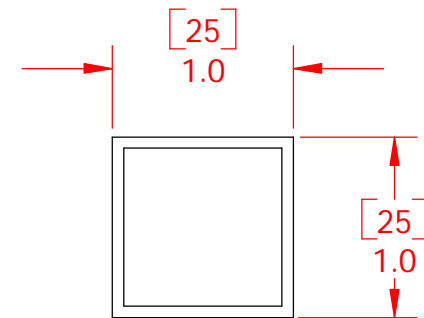
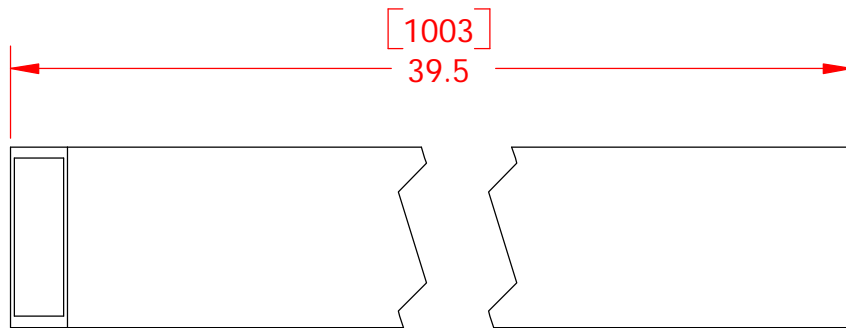
BOOK CHASSIS

COCKPIT BOTTOM FRONT SIDE RAIL (D1 & D2)

FOR EDUCATIONAL USE ONLY
 THE INFORMATION CONTAINED IN THIS
 DRAWING IS NOT INTENDED FOR USE IN
 THE CONSTRUCTION OR MANUFACTURE
 OF PARTS. THE INFORMATION IS PROVIDED
 WITHOUT WARRANTY FOR EDUCATIONAL
 REFERENCE ONLY.

MATERIAL
**STEEL - RHS
 1"x1", 16swg**
 DO NOT SCALE DRAWING

SIZE A	DWG. NO. D	REV.
SCALE:1:1	WEIGHT:	SHEET 1 OF 1



DIMENSIONS ARE IN INCHES
TOLERANCES:
FRACTIONAL $\pm 1/32$
ANGULAR $\pm 1^\circ$
TWO PLACE DECIMAL $\pm .03$
THREE PLACE DECIMAL $\pm .010$

BOOK CHASSIS

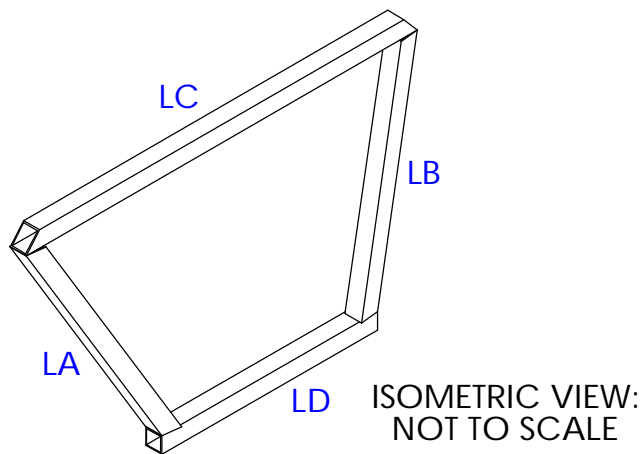
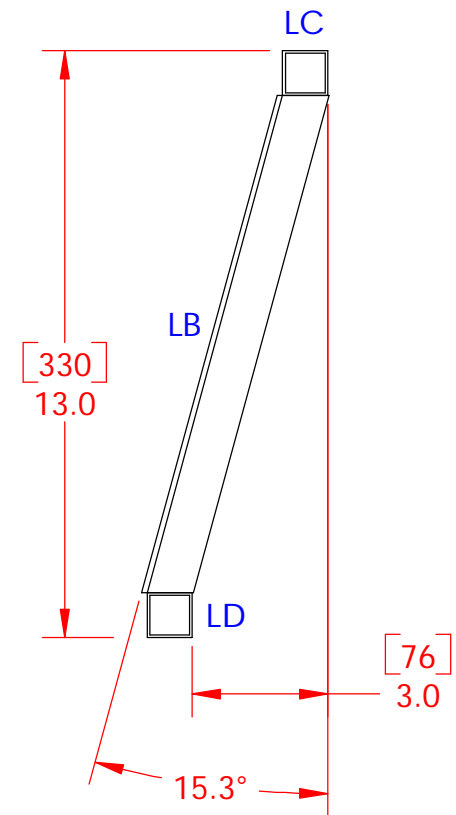
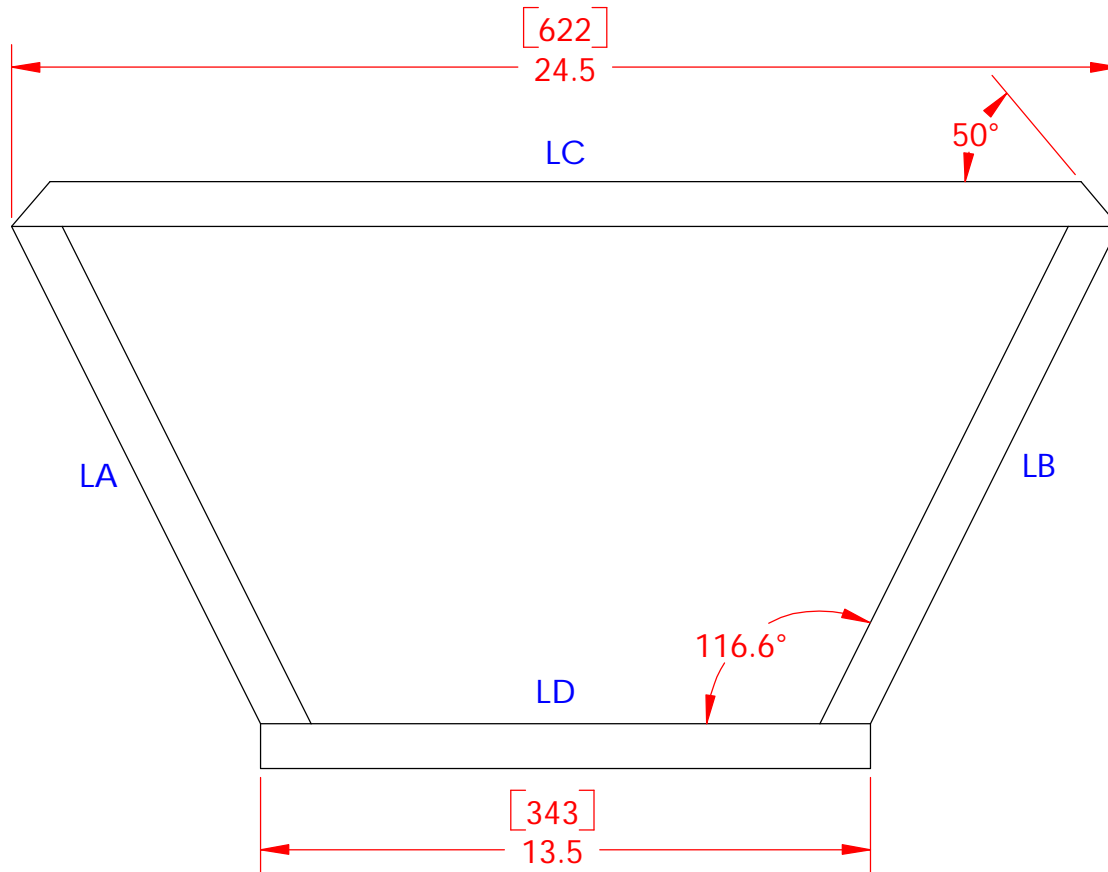
ENGINE BAY BOTTOM SIDE RAIL (F1 & F2)

FOR EDUCATIONAL USE ONLY
THE INFORMATION CONTAINED IN THIS DRAWING IS NOT INTENDED FOR USE IN THE CONSTRUCTION OR MANUFACTURE OF PARTS. THE INFORMATION IS PROVIDED WITHOUT WARRANTY FOR EDUCATIONAL REFERENCE ONLY.

MATERIAL
**STEEL - RHS
1"x1", 16swg**

DO NOT SCALE DRAWING

SIZE A	DWG. NO. F	REV.
SCALE:1:1	WEIGHT:	SHEET 1 OF 1



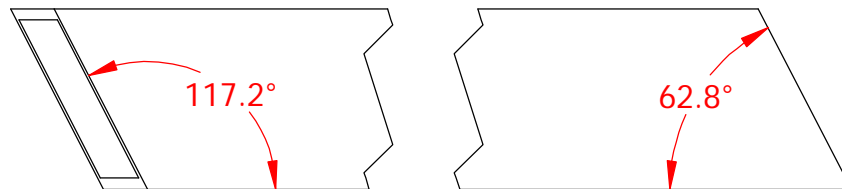
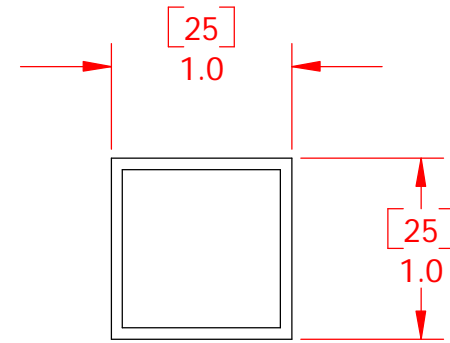
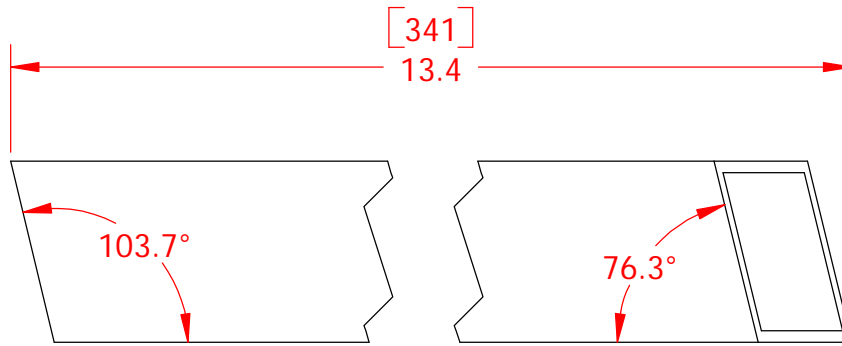
FOR EDUCATIONAL USE ONLY
 THE INFORMATION CONTAINED IN THIS DRAWING IS NOT INTENDED FOR USE IN THE CONSTRUCTION OR MANUFACTURE OF PARTS. THE INFORMATION IS PROVIDED WITHOUT WARRANTY FOR EDUCATIONAL REFERENCE ONLY.

DIMENSIONS ARE IN INCHES
 TOLERANCES:
 FRACTIONAL $\pm 1/32$
 ANGULAR $\pm 1^\circ$
 TWO PLACE DECIMAL $\pm .03$
 THREE PLACE DECIMAL $\pm .010$

MATERIAL
STEEL - RHS
1"x1", 16swg

DO NOT SCALE DRAWING

BOOK CHASSIS			
FRONT END ASSEMBLY			
SIZE A	DWG. NO. frontEndAssembly	REV.	
SCALE:1:4	WEIGHT:	SHEET 1 OF 1	



DIMENSIONS ARE IN INCHES
 TOLERANCES:
 FRACTIONAL $\pm 1/32$
 ANGULAR $\pm 1^\circ$
 TWO PLACE DECIMAL $\pm .03$
 THREE PLACE DECIMAL $\pm .010$

BOOK CHASSIS

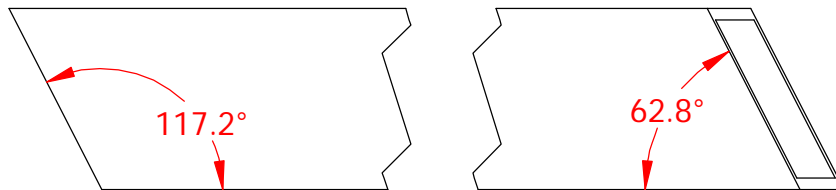
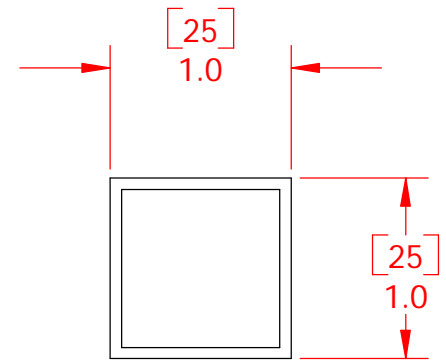
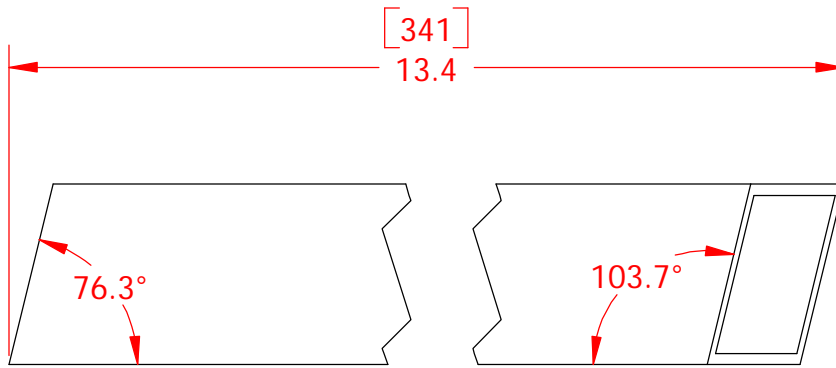
FRONT END LEFT SIDE MEMBER (LA)

FOR EDUCATIONAL USE ONLY
 THE INFORMATION CONTAINED IN THIS
 DRAWING IS NOT INTENDED FOR USE IN
 THE CONSTRUCTION OR MANUFACTURE
 OF PARTS. THE INFORMATION IS PROVIDED
 WITHOUT WARRANTY FOR EDUCATIONAL
 REFERENCE ONLY.

MATERIAL
**STEEL - RHS
 1"x1", 16swg**

DO NOT SCALE DRAWING

SIZE A	DWG. NO. LA	REV.
SCALE:1:1	WEIGHT:	SHEET 1 OF 1



DIMENSIONS ARE IN INCHES
 TOLERANCES:
 FRACTIONAL $\pm 1/32$
 ANGULAR $\pm 1^\circ$
 TWO PLACE DECIMAL $\pm .03$
 THREE PLACE DECIMAL $\pm .010$

BOOK CHASSIS

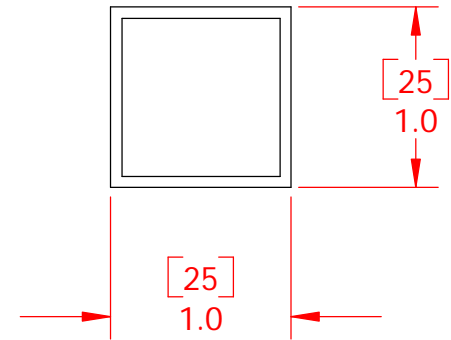
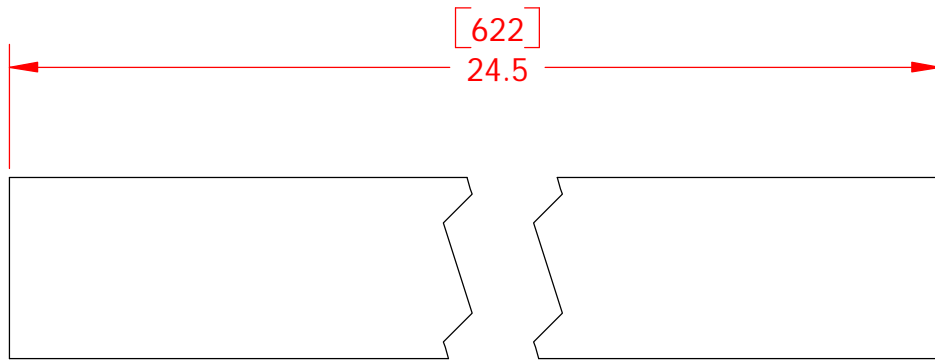
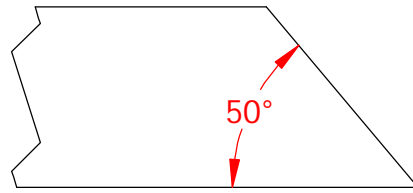
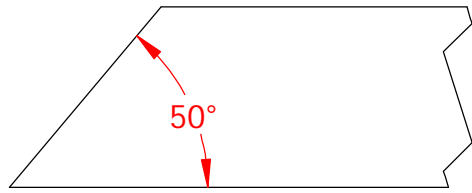
FRONT END RIGHT SIDE MEMBER (LB)

FOR EDUCATIONAL USE ONLY
 THE INFORMATION CONTAINED IN THIS DRAWING IS NOT INTENDED FOR USE IN THE CONSTRUCTION OR MANUFACTURE OF PARTS. THE INFORMATION IS PROVIDED WITHOUT WARRANTY FOR EDUCATIONAL REFERENCE ONLY.

MATERIAL
**STEEL - RHS
 1"x1", 16swg**

DO NOT SCALE DRAWING

SIZE A	DWG. NO. LB	REV.
SCALE:1:1	WEIGHT:	SHEET 1 OF 1



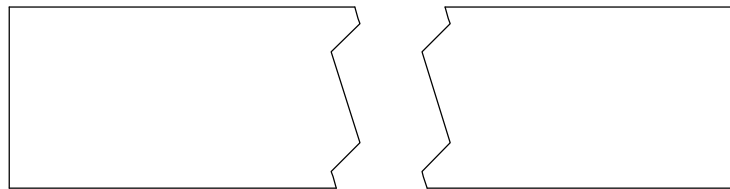
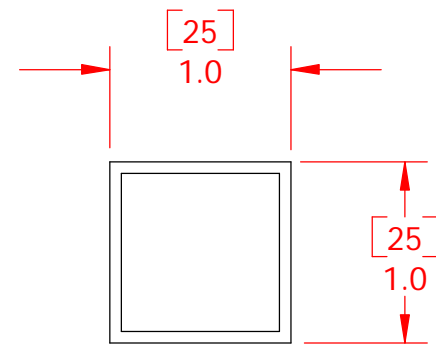
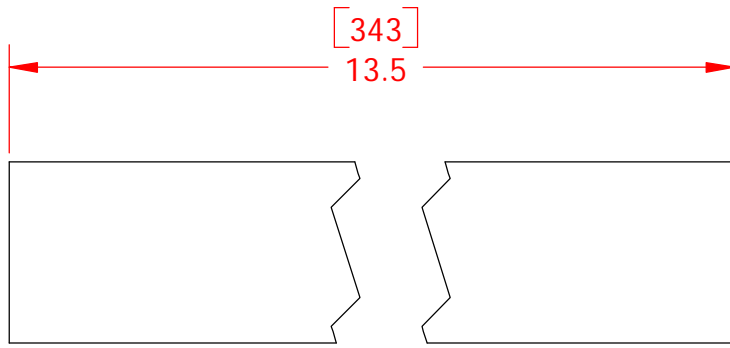
DIMENSIONS ARE IN INCHES
 TOLERANCES:
 FRACTIONAL $\pm 1/32$
 ANGULAR $\pm 1^\circ$
 TWO PLACE DECIMAL $\pm .03$
 THREE PLACE DECIMAL $\pm .010$

BOOK CHASSIS
FRONT END
TOP CROSS RAIL
(LC)

FOR EDUCATIONAL USE ONLY
 THE INFORMATION CONTAINED IN THIS DRAWING IS NOT INTENDED FOR USE IN THE CONSTRUCTION OR MANUFACTURE OF PARTS. THE INFORMATION IS PROVIDED WITHOUT WARRANTY FOR EDUCATIONAL REFERENCE ONLY.

MATERIAL
STEEL - RHS
1"x1", 16swg
 DO NOT SCALE DRAWING

SIZE A	DWG. NO. LC	REV.
SCALE:1:1	WEIGHT:	SHEET 1 OF 1

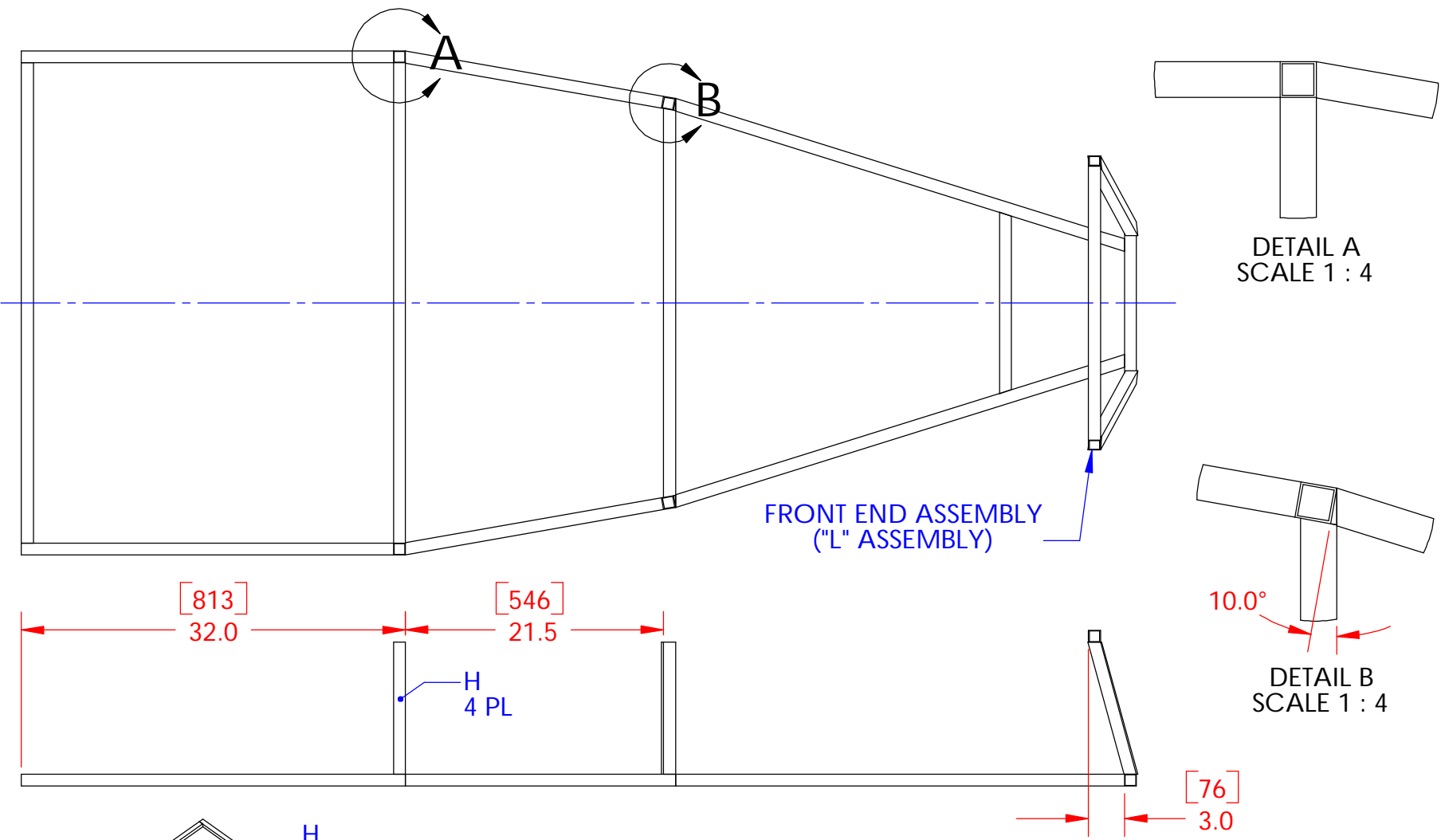


DIMENSIONS ARE IN INCHES
 TOLERANCES:
 FRACTIONAL $\pm 1/32$
 ANGULAR $\pm 1^\circ$
 TWO PLACE DECIMAL $\pm .03$
 THREE PLACE DECIMAL $\pm .010$

FOR EDUCATIONAL USE ONLY
 THE INFORMATION CONTAINED IN THIS DRAWING IS NOT INTENDED FOR USE IN THE CONSTRUCTION OR MANUFACTURE OF PARTS. THE INFORMATION IS PROVIDED WITHOUT WARRANTY FOR EDUCATIONAL REFERENCE ONLY.

MATERIAL
STEEL - RHS
1"x1", 16swg
 DO NOT SCALE DRAWING

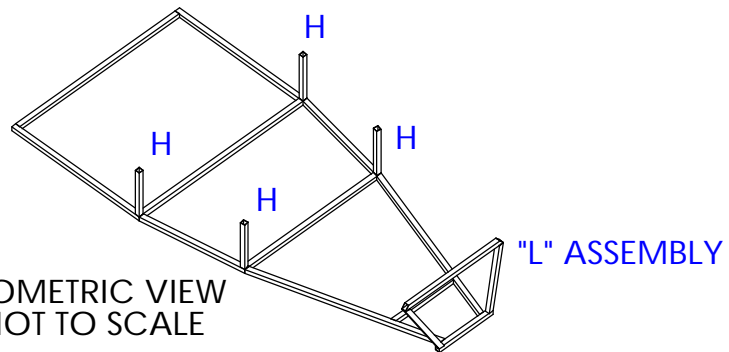
BOOK CHASSIS		
FRONT END BOTTOM CROSS RAIL (LD)		
SIZE A	DWG. NO. LD	REV.
SCALE:1:1	WEIGHT:	SHEET 1 OF 1



DETAIL A
SCALE 1 : 4

DETAIL B
SCALE 1 : 4

FRONT END ASSEMBLY
("L" ASSEMBLY)



ISOMETRIC VIEW
NOT TO SCALE

"L" ASSEMBLY

DIMENSIONS ARE IN INCHES
TOLERANCES:
FRACTIONAL ± 1/32
ANGULAR ± 1°
TWO PLACE DECIMAL ± .03
THREE PLACE DECIMAL ± .010

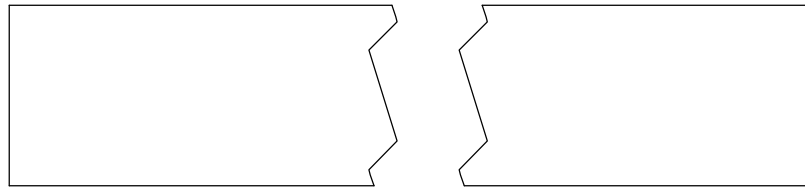
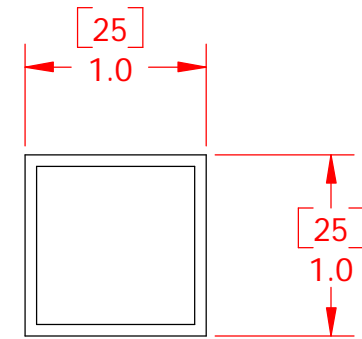
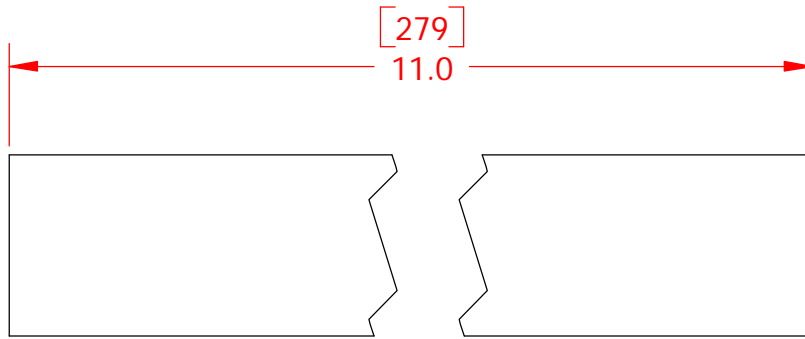
MATERIAL
STEEL - RHS
1"x1", 16swg

DO NOT SCALE DRAWING

FOR EDUCATIONAL USE ONLY
THE INFORMATION CONTAINED IN THIS DRAWING IS NOT INTENDED FOR USE IN THE CONSTRUCTION OR MANUFACTURE OF PARTS. THE INFORMATION IS PROVIDED WITHOUT WARRANTY FOR EDUCATIONAL REFERENCE ONLY.

BOOK CHASSIS
BOTTOM UPRIGHT
RAIL LAYOUT

SIZE A	DWG. NO. bookFrame	REV.
SCALE:1:12	WEIGHT:	SHEET 1 OF 1



DIMENSIONS ARE IN INCHES
 TOLERANCES:
 FRACTIONAL $\pm 1/32$
 ANGULAR $\pm 1^\circ$
 TWO PLACE DECIMAL $\pm .03$
 THREE PLACE DECIMAL $\pm .010$

BOOK CHASSIS

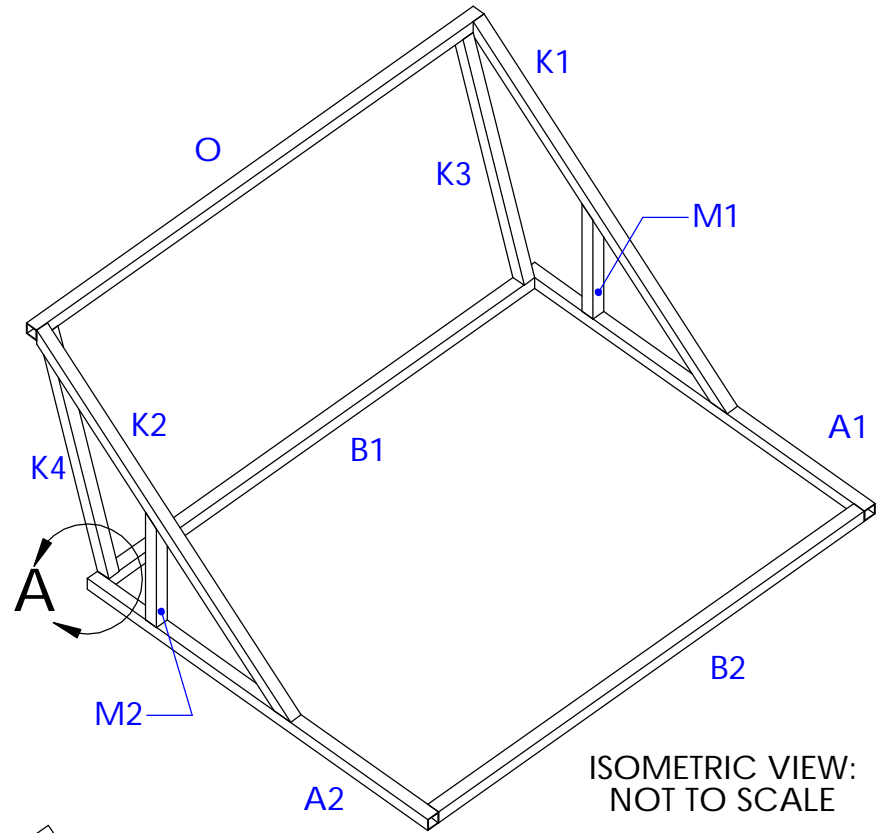
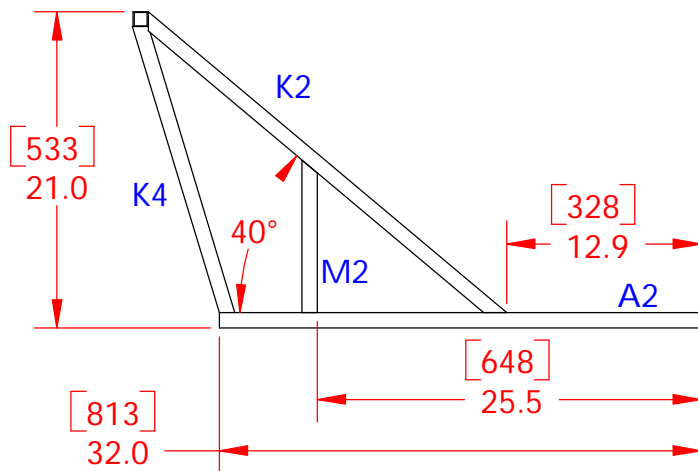
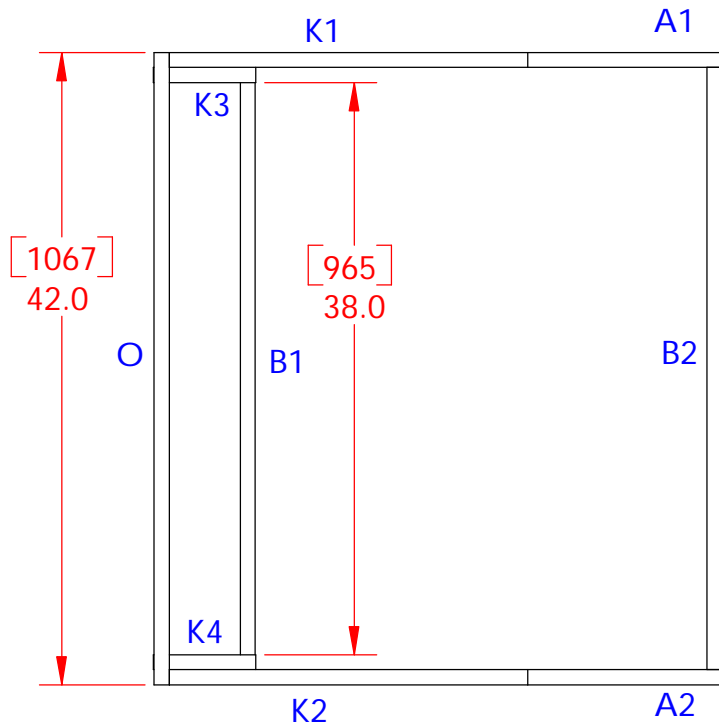
CENTER UPRIGHT (H)

FOR EDUCATIONAL USE ONLY
 THE INFORMATION CONTAINED IN THIS DRAWING IS NOT INTENDED FOR USE IN THE CONSTRUCTION OR MANUFACTURE OF PARTS. THE INFORMATION IS PROVIDED WITHOUT WARRANTY FOR EDUCATIONAL REFERENCE ONLY.

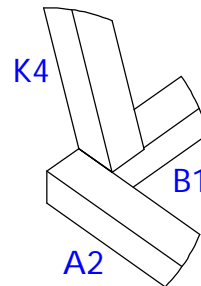
MATERIAL
**STEEL - RHS
 1"x1", 16swg**

DO NOT SCALE DRAWING

SIZE A	DWG. NO. H	REV.
SCALE:1:1	WEIGHT:	SHEET 1 OF 1



ISOMETRIC VIEW:
NOT TO SCALE



DETAIL A
SCALE 1 : 4

NOTE: ASSEMBLED PARTS FORWARD
OF "B2" HIDDEN FOR CLARITY.

DIMENSIONS ARE IN INCHES
TOLERANCES:
FRACTIONAL $\pm 1/32$
ANGULAR $\pm 1^\circ$
TWO PLACE DECIMAL $\pm .03$
THREE PLACE DECIMAL $\pm .010$

BOOK CHASSIS

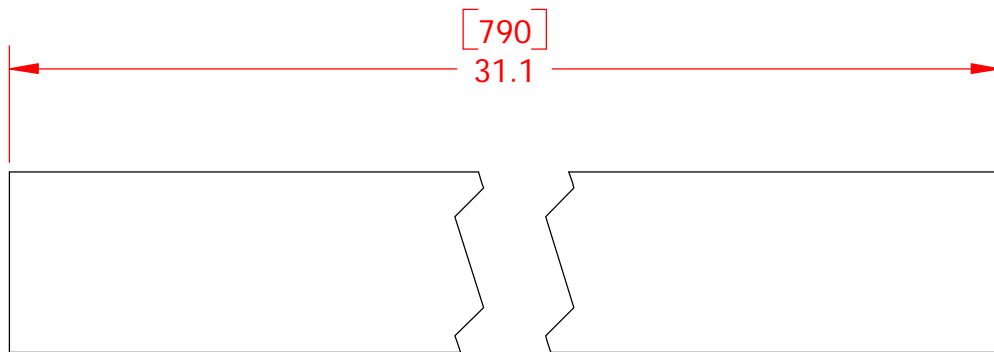
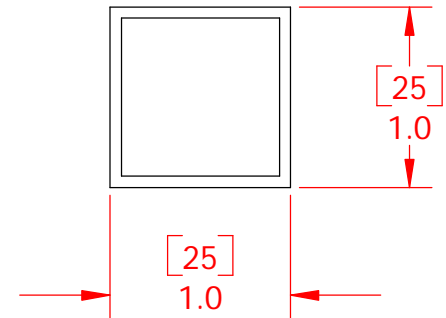
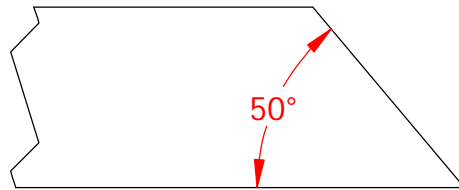
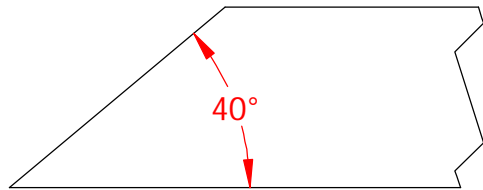
REAR BULKHEAD SIDE RAIL LAYOUT

MATERIAL
STEEL - RHS
1"X1", 16swg

DO NOT SCALE DRAWING

SIZE A	DWG. NO. bookFrame	REV.
SCALE:1:1	WEIGHT:	SHEET 1 OF 1

FOR EDUCATIONAL USE ONLY
THE INFORMATION CONTAINED IN THIS
DRAWING IS NOT INTENDED FOR USE IN
THE CONSTRUCTION OR MANUFACTURE
OF PARTS. THE INFORMATION IS PROVIDED
WITHOUT WARRANTY FOR EDUCATIONAL
REFERENCE ONLY.



DIMENSIONS ARE IN INCHES
 TOLERANCES:
 FRACTIONAL $\pm 1/32$
 ANGULAR $\pm 1^\circ$
 TWO PLACE DECIMAL $\pm .03$
 THREE PLACE DECIMAL $\pm .010$

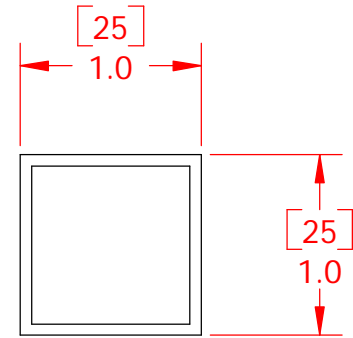
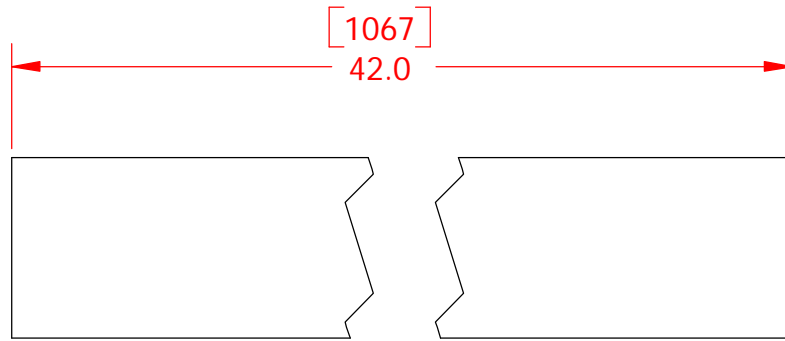
BOOK CHASSIS

REAR BULKHEAD SIDE MEMBER (K1 & K2)

FOR EDUCATIONAL USE ONLY
 THE INFORMATION CONTAINED IN THIS
 DRAWING IS NOT INTENDED FOR USE IN
 THE CONSTRUCTION OR MANUFACTURE
 OF PARTS. THE INFORMATION IS PROVIDED
 WITHOUT WARRANTY FOR EDUCATIONAL
 REFERENCE ONLY.

MATERIAL
**STEEL - RHS
 1"x1", 16swg**
 DO NOT SCALE DRAWING

SIZE A	DWG. NO. K1_2	REV.
SCALE:1:1	WEIGHT:	SHEET 1 OF 1



DIMENSIONS ARE IN INCHES
 TOLERANCES:
 FRACTIONAL $\pm 1/32$
 ANGULAR $\pm 1^\circ$
 TWO PLACE DECIMAL $\pm .03$
 THREE PLACE DECIMAL $\pm .010$

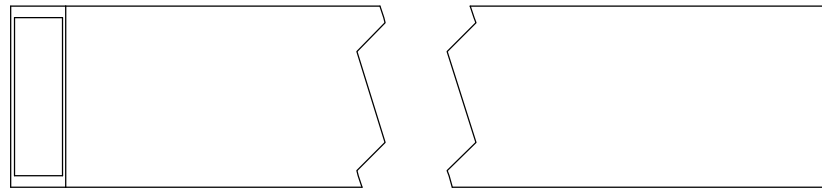
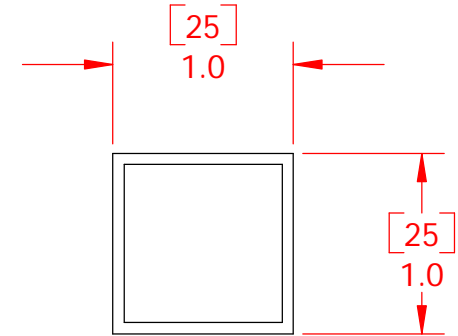
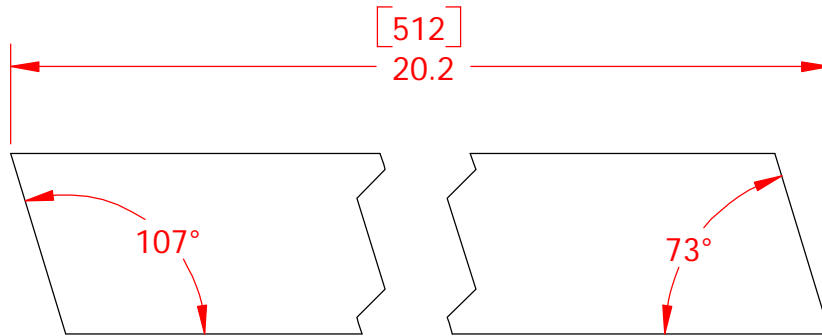
BOOK CHASSIS
REAR BULKHEAD
TOP CROSS RAIL
(O)

FOR EDUCATIONAL USE ONLY
 THE INFORMATION CONTAINED IN THIS DRAWING IS NOT INTENDED FOR USE IN THE CONSTRUCTION OR MANUFACTURE OF PARTS. THE INFORMATION IS PROVIDED WITHOUT WARRANTY FOR EDUCATIONAL REFERENCE ONLY.

MATERIAL
STEEL - RHS
1"x1", 16swg

DO NOT SCALE DRAWING

SIZE A	DWG. NO. O	REV.
SCALE:1:1	WEIGHT:	SHEET 1 OF 1



DIMENSIONS ARE IN INCHES
 TOLERANCES:
 FRACTIONAL $\pm 1/32$
 ANGULAR $\pm 1^\circ$
 TWO PLACE DECIMAL $\pm .03$
 THREE PLACE DECIMAL $\pm .010$

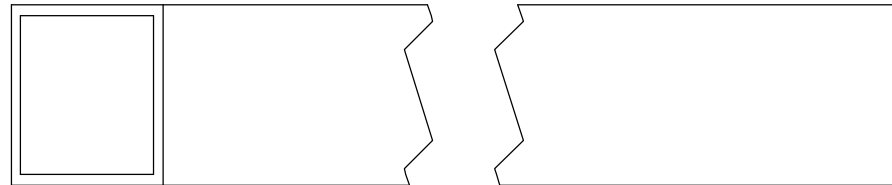
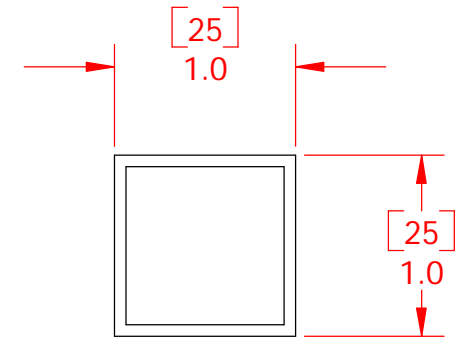
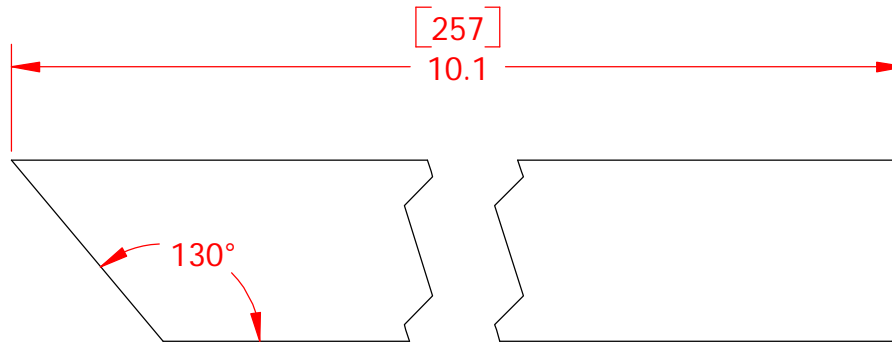
BOOK CHASSIS

REAR BULKHEAD TOP CROSS RAIL SUPPORT (K3 & K4)

FOR EDUCATIONAL USE ONLY
 THE INFORMATION CONTAINED IN THIS
 DRAWING IS NOT INTENDED FOR USE IN
 THE CONSTRUCTION OR MANUFACTURE
 OF PARTS. THE INFORMATION IS PROVIDED
 WITHOUT WARRANTY FOR EDUCATIONAL
 REFERENCE ONLY.

MATERIAL
**STEEL - RHS
 1"x1", 16swg**
 DO NOT SCALE DRAWING

SIZE A	DWG. NO. K3_4	REV.
SCALE:1:1	WEIGHT:	SHEET 1 OF 1

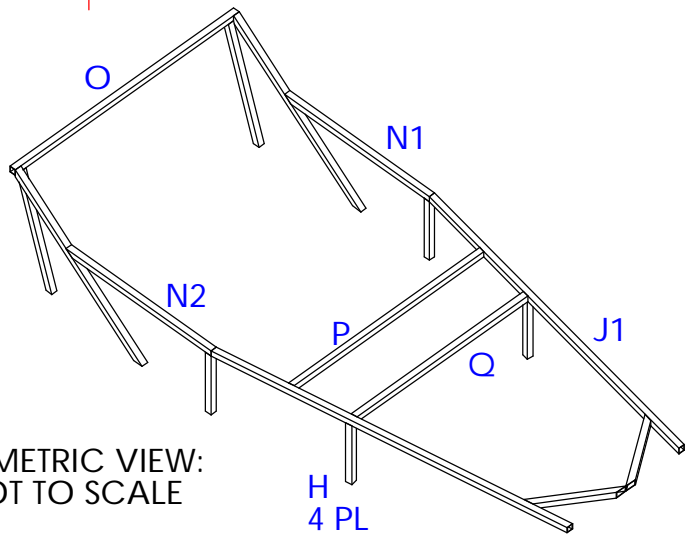
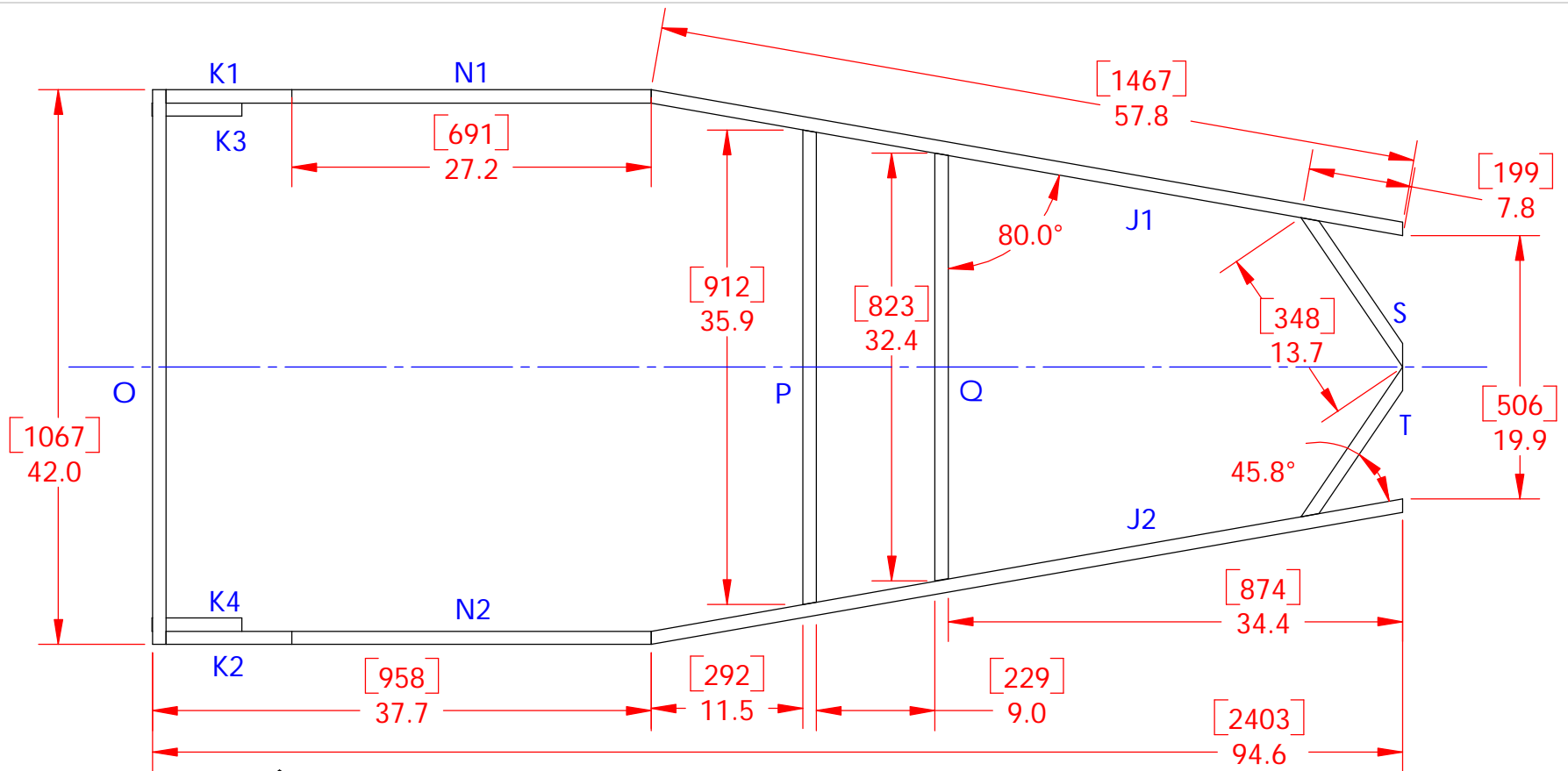


DIMENSIONS ARE IN INCHES
 TOLERANCES:
 FRACTIONAL $\pm 1/32$
 ANGULAR $\pm 1^\circ$
 TWO PLACE DECIMAL $\pm .03$
 THREE PLACE DECIMAL $\pm .010$

FOR EDUCATIONAL USE ONLY
 THE INFORMATION CONTAINED IN THIS DRAWING IS NOT INTENDED FOR USE IN THE CONSTRUCTION OR MANUFACTURE OF PARTS. THE INFORMATION IS PROVIDED WITHOUT WARRANTY FOR EDUCATIONAL REFERENCE ONLY.

MATERIAL
STEEL - RHS
1"x1", 16swg
 DO NOT SCALE DRAWING

BOOK CHASSIS		
REAR BULKHEAD UPRIGHT SUPPORT (M1 & M2)		
SIZE A	DWG. NO. M	REV.
SCALE:1:1	WEIGHT:	SHEET 1 OF 1



ISOMETRIC VIEW:
NOT TO SCALE

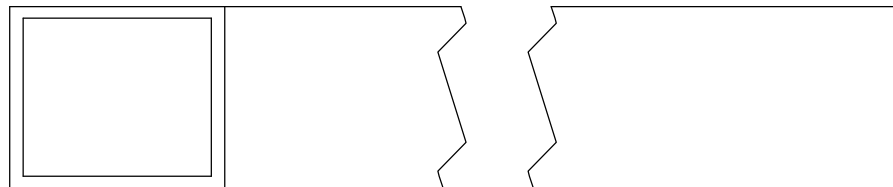
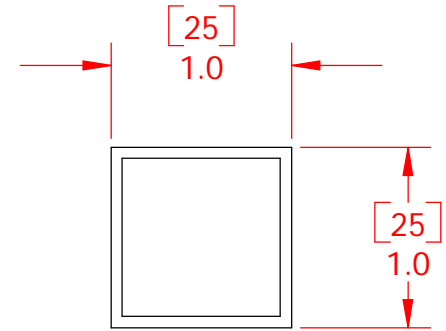
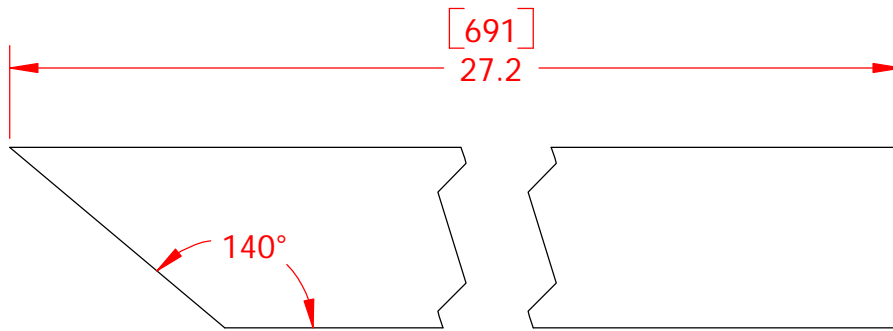
NOTE: FRONT ASSEMBLY AND BOTTOM RAILS HIDDEN FOR CLARITY.

FOR EDUCATIONAL USE ONLY
THE INFORMATION CONTAINED IN THIS DRAWING IS NOT INTENDED FOR USE IN THE CONSTRUCTION OR MANUFACTURE OF PARTS. THE INFORMATION IS PROVIDED WITHOUT WARRANTY FOR EDUCATIONAL REFERENCE ONLY.

DIMENSIONS ARE IN INCHES
TOLERANCES:
FRACTIONAL $\pm 1/32$
ANGULAR $\pm 1^\circ$
TWO PLACE DECIMAL $\pm .03$
THREE PLACE DECIMAL $\pm .010$

MATERIAL
STEEL - RHS
1"x1", 16swg
DO NOT SCALE DRAWING

BOOK CHASSIS		TOP RAIL LAYOUT	REV.
SIZE A	DWG. NO. bookFrame		
SCALE:1:12	WEIGHT:	SHEET 1 OF 1	



DIMENSIONS ARE IN INCHES
 TOLERANCES:
 FRACTIONAL $\pm 1/32$
 ANGULAR $\pm 1^\circ$
 TWO PLACE DECIMAL $\pm .03$
 THREE PLACE DECIMAL $\pm .010$

BOOK CHASSIS

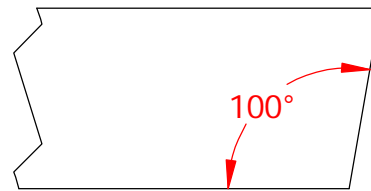
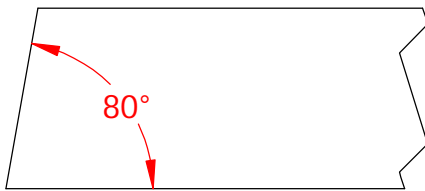
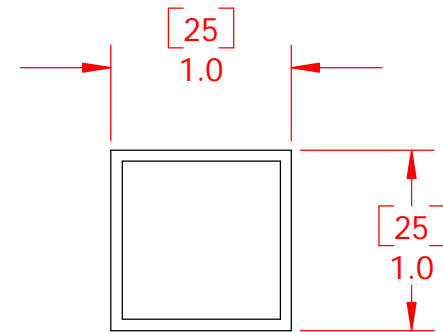
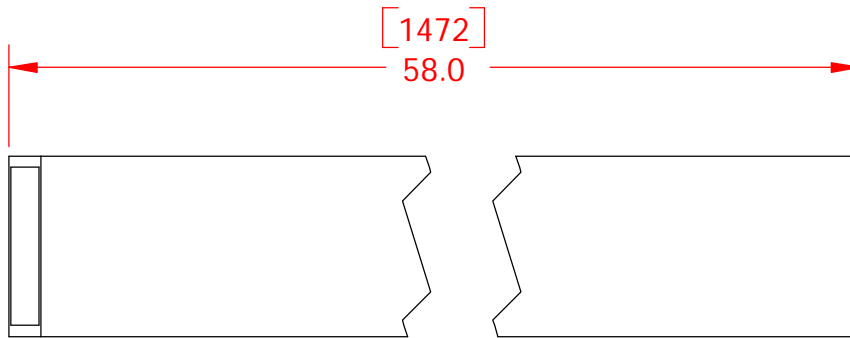
COCKPIT TOP SIDE RAIL (N1 & N2)

FOR EDUCATIONAL USE ONLY
 THE INFORMATION CONTAINED IN THIS
 DRAWING IS NOT INTENDED FOR USE IN
 THE CONSTRUCTION OR MANUFACTURE
 OF PARTS. THE INFORMATION IS PROVIDED
 WITHOUT WARRANTY FOR EDUCATIONAL
 REFERENCE ONLY.

MATERIAL
**STEEL - RHS
 1"x1", 16swg**

DO NOT SCALE DRAWING

SIZE A	DWG. NO. N	REV.
SCALE:1:1	WEIGHT:	SHEET 1 OF 1



DIMENSIONS ARE IN INCHES
 TOLERANCES:
 FRACTIONAL $\pm 1/32$
 ANGULAR $\pm 1^\circ$
 TWO PLACE DECIMAL $\pm .03$
 THREE PLACE DECIMAL $\pm .010$

BOOK CHASSIS

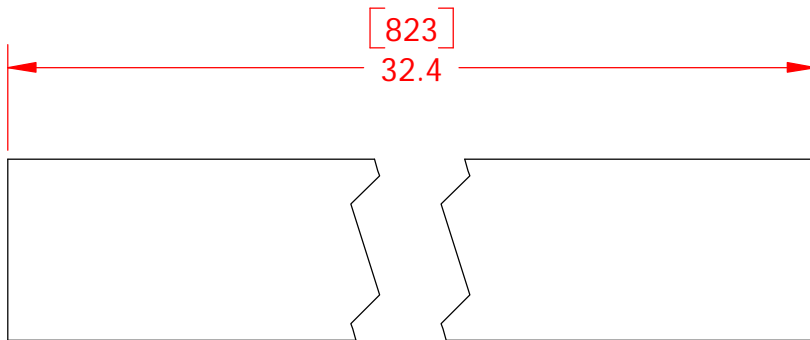
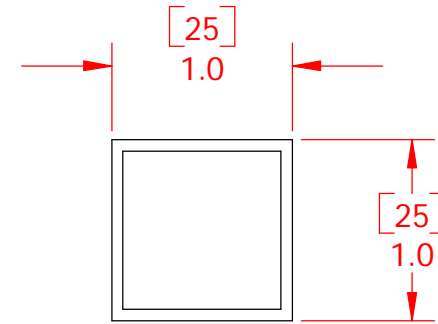
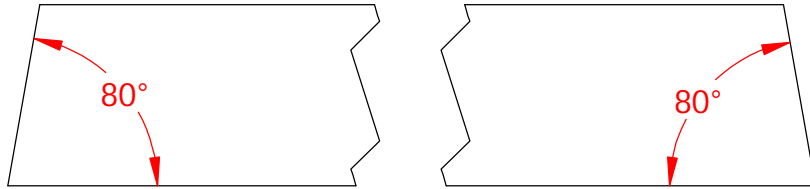
TOP FRONT SIDE RAIL (J1 & J2)

FOR EDUCATIONAL USE ONLY
 THE INFORMATION CONTAINED IN THIS
 DRAWING IS NOT INTENDED FOR USE IN
 THE CONSTRUCTION OR MANUFACTURE
 OF PARTS. THE INFORMATION IS PROVIDED
 WITHOUT WARRANTY FOR EDUCATIONAL
 REFERENCE ONLY.

MATERIAL
**STEEL - RHS
 1"x1", 16swg**

DO NOT SCALE DRAWING

SIZE A	DWG. NO. J	REV.
SCALE:1:1	WEIGHT:	SHEET 1 OF 1



DIMENSIONS ARE IN INCHES
 TOLERANCES:
 FRACTIONAL $\pm 1/32$
 ANGULAR $\pm 1^\circ$
 TWO PLACE DECIMAL $\pm .03$
 THREE PLACE DECIMAL $\pm .010$

MATERIAL
STEEL - RHS
1"x1", 16swg

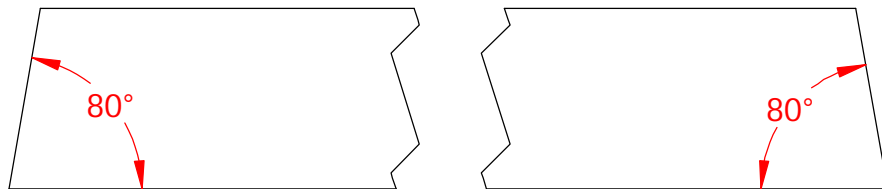
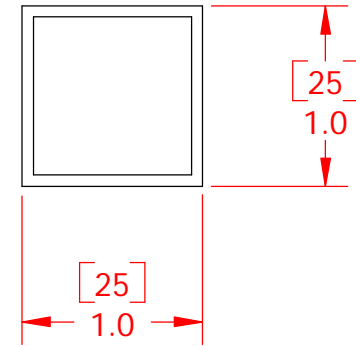
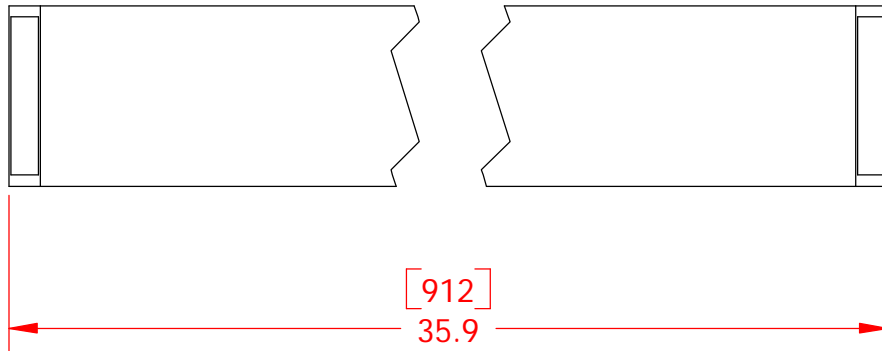
DO NOT SCALE DRAWING

BOOK CHASSIS

FRONT BULKHEAD TOP CROSS RAIL (Q)

SIZE A	DWG. NO. Q	REV.
SCALE:1:1	WEIGHT:	SHEET 1 OF 1

FOR EDUCATIONAL USE ONLY
 THE INFORMATION CONTAINED IN THIS DRAWING IS NOT INTENDED FOR USE IN THE CONSTRUCTION OR MANUFACTURE OF PARTS. THE INFORMATION IS PROVIDED WITHOUT WARRANTY FOR EDUCATIONAL REFERENCE ONLY.



DIMENSIONS ARE IN INCHES
TOLERANCES:
FRACTIONAL $\pm 1/32$
ANGULAR $\pm 1^\circ$
TWO PLACE DECIMAL $\pm .03$
THREE PLACE DECIMAL $\pm .010$

BOOK CHASSIS

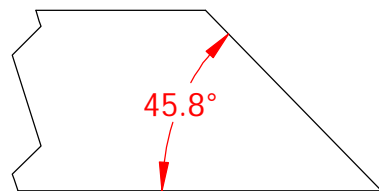
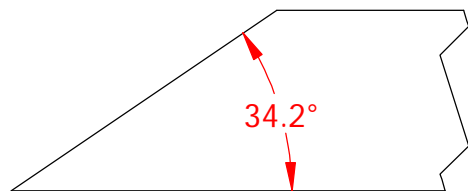
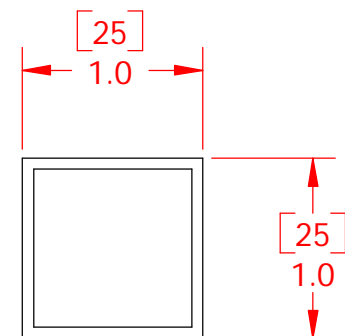
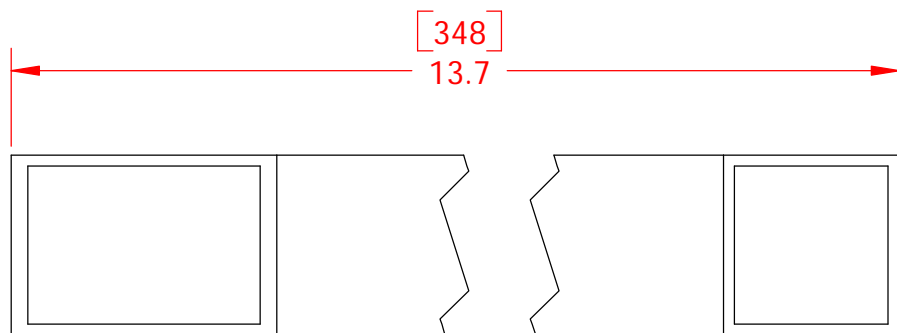
SCUTTLE SUPPORT CROSS RAIL (P)

FOR EDUCATIONAL USE ONLY
THE INFORMATION CONTAINED IN THIS DRAWING IS NOT INTENDED FOR USE IN THE CONSTRUCTION OR MANUFACTURE OF PARTS. THE INFORMATION IS PROVIDED WITHOUT WARRANTY FOR EDUCATIONAL REFERENCE ONLY.

MATERIAL
**STEEL - RHS
1"x1", 16swg**

DO NOT SCALE DRAWING

SIZE A	DWG. NO. P	REV.
SCALE:1:1	WEIGHT:	SHEET 1 OF 1

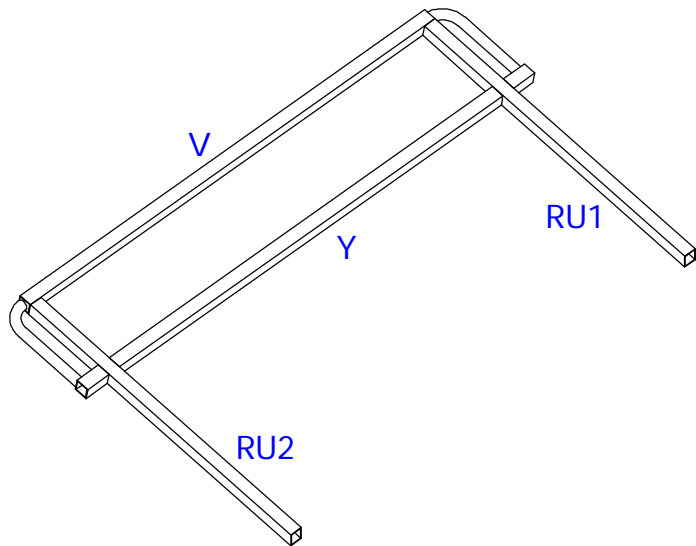
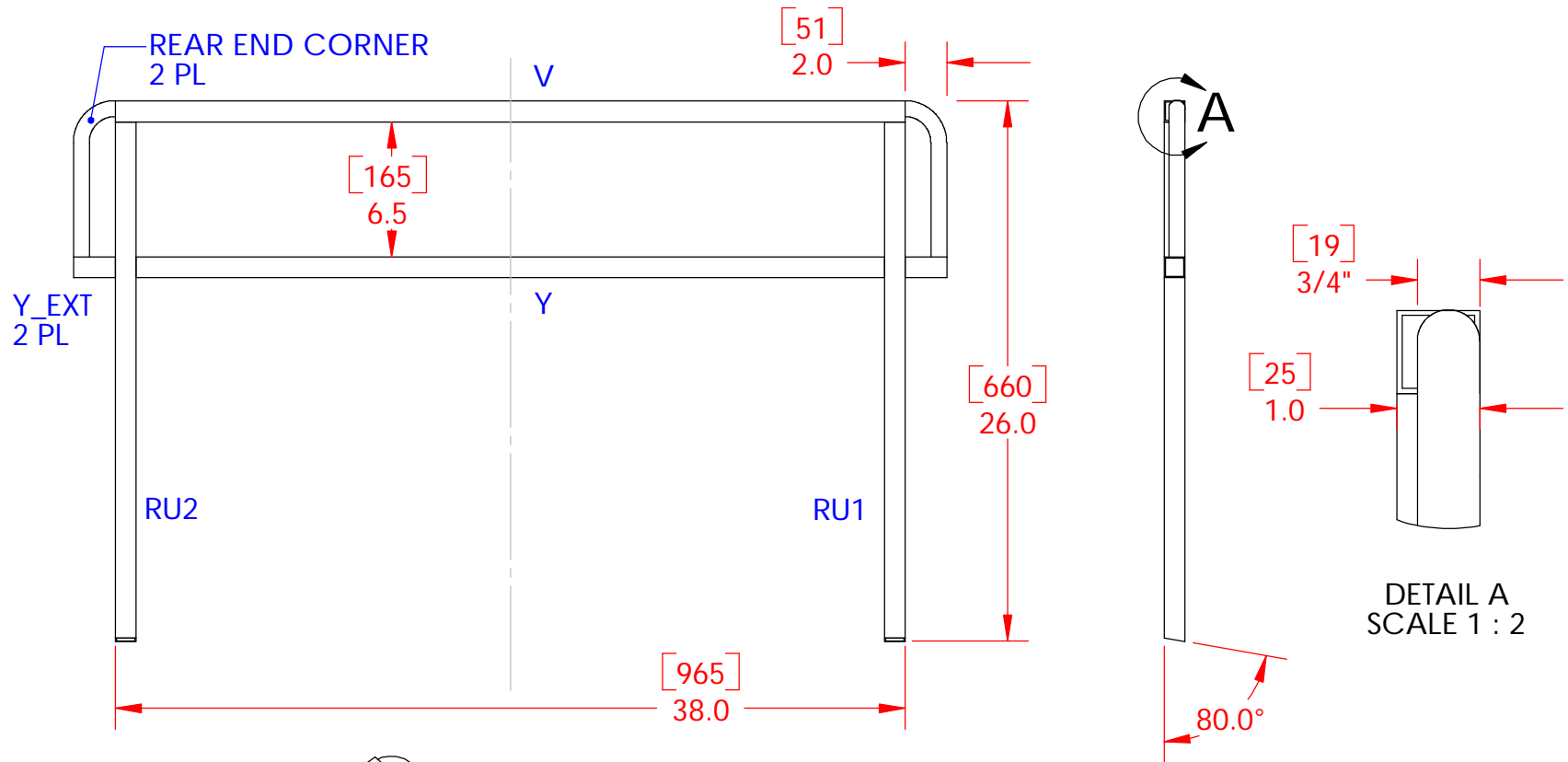


DIMENSIONS ARE IN INCHES
 TOLERANCES:
 FRACTIONAL $\pm 1/32$
 ANGULAR $\pm 1^\circ$
 TWO PLACE DECIMAL $\pm .03$
 THREE PLACE DECIMAL $\pm .010$

FOR EDUCATIONAL USE ONLY
 THE INFORMATION CONTAINED IN THIS DRAWING IS NOT INTENDED FOR USE IN THE CONSTRUCTION OR MANUFACTURE OF PARTS. THE INFORMATION IS PROVIDED WITHOUT WARRANTY FOR EDUCATIONAL REFERENCE ONLY.

MATERIAL
STEEL - RHS
1"x1", 16swg
 DO NOT SCALE DRAWING

BOOK CHASSIS		
FRONT DIAGONAL STRENGTH MEMBER (S & T)		
SIZE A	DWG. NO. S_T	REV.
SCALE:1:1	WEIGHT:	SHEET 1 OF 1



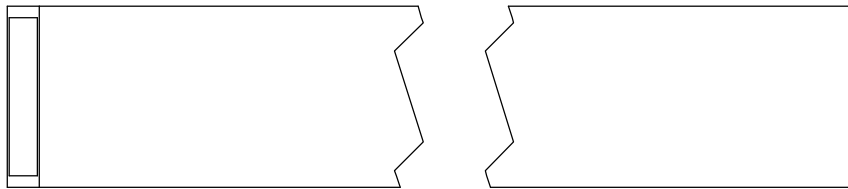
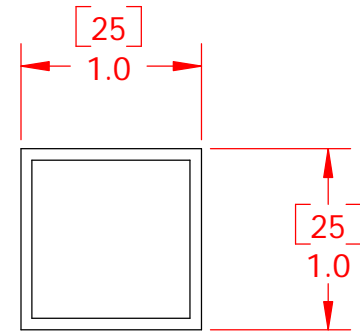
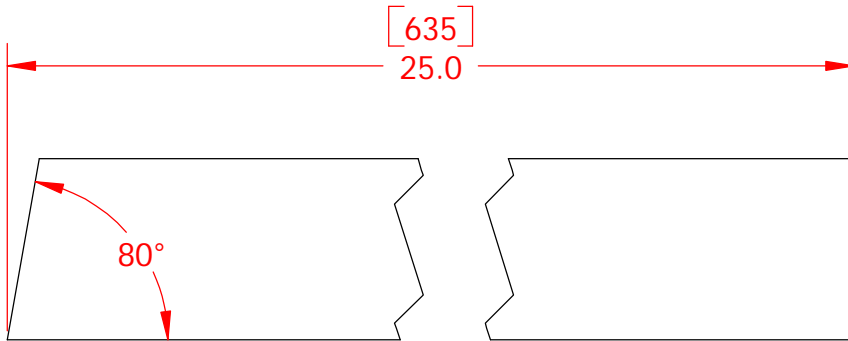
FOR EDUCATIONAL USE ONLY
 THE INFORMATION CONTAINED IN THIS DRAWING IS NOT INTENDED FOR USE IN THE CONSTRUCTION OR MANUFACTURE OF PARTS. THE INFORMATION IS PROVIDED WITHOUT WARRANTY FOR EDUCATIONAL REFERENCE ONLY.

DIMENSIONS ARE IN INCHES
 TOLERANCES:
 FRACTIONAL $\pm 1/32$
 ANGULAR $\pm 1^\circ$
 TWO PLACE DECIMAL $\pm .03$
 THREE PLACE DECIMAL $\pm .010$

MATERIAL STEEL - RHS
 1"x1" - 16swg,
 $\varnothing 3/4"$ TUBE

DO NOT SCALE DRAWING

BOOK CHASSIS			
REAR END BOTTOM ASSEMBLY			
SIZE	DWG. NO.	REV.	
A	bookFrame		
SCALE:1:1	WEIGHT:	SHEET 1 OF 1	



DIMENSIONS ARE IN INCHES
 TOLERANCES:
 FRACTIONAL $\pm 1/32$
 ANGULAR $\pm 1^\circ$
 TWO PLACE DECIMAL $\pm .03$
 THREE PLACE DECIMAL $\pm .010$

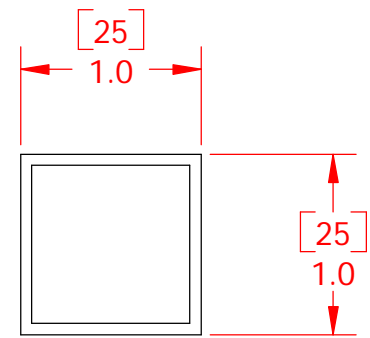
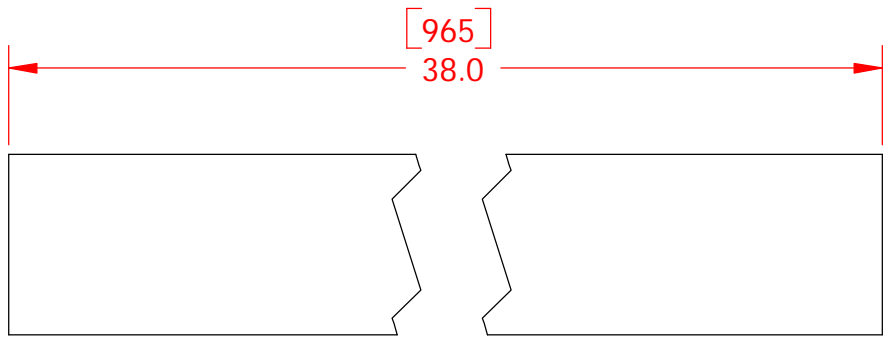
FOR EDUCATIONAL USE ONLY
 THE INFORMATION CONTAINED IN THIS
 DRAWING IS NOT INTENDED FOR USE IN
 THE CONSTRUCTION OR MANUFACTURE
 OF PARTS. THE INFORMATION IS PROVIDED
 WITHOUT WARRANTY FOR EDUCATIONAL
 REFERENCE ONLY.

MATERIAL
STEEL - RHS
1"x1", 16swg
 DO NOT SCALE DRAWING

BOOK CHASSIS

REAR END BOTTOM SIDE RAIL (RU1 & RU2)

SIZE A	DWG. NO. RU	REV.
SCALE:1:1	WEIGHT:	SHEET 1 OF 1



FOR EDUCATIONAL USE ONLY

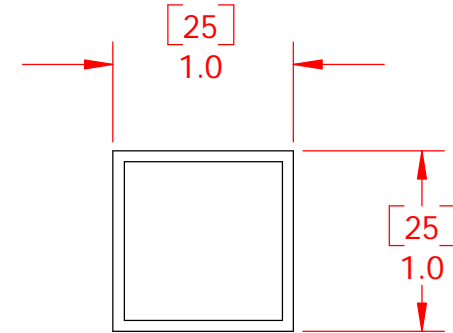
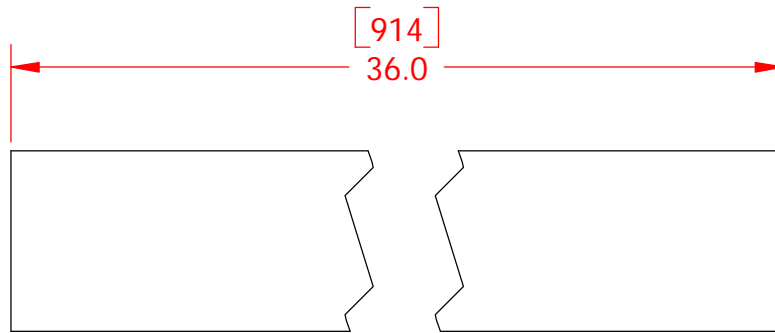
THE INFORMATION CONTAINED IN THIS DRAWING IS NOT INTENDED FOR USE IN THE CONSTRUCTION OR MANUFACTURE OF PARTS. THE INFORMATION IS PROVIDED WITHOUT WARRANTY FOR EDUCATIONAL REFERENCE ONLY.

DIMENSIONS ARE IN INCHES
 TOLERANCES:
 FRACTIONAL $\pm 1/32$
 ANGULAR $\pm 1^\circ$
 TWO PLACE DECIMAL $\pm .03$
 THREE PLACE DECIMAL $\pm .010$

MATERIAL
STEEL - RHS
1"x1", 16swg

DO NOT SCALE DRAWING

BOOK CHASSIS		
REAR END BOTTOM OUTER CROSS RAIL (V)		
SIZE A	DWG. NO. V	REV.
SCALE:1:1	WEIGHT:	SHEET 1 OF 1



DIMENSIONS ARE IN INCHES
TOLERANCES:
FRACTIONAL $\pm 1/32$
ANGULAR $\pm 1^\circ$
TWO PLACE DECIMAL $\pm .03$
THREE PLACE DECIMAL $\pm .010$

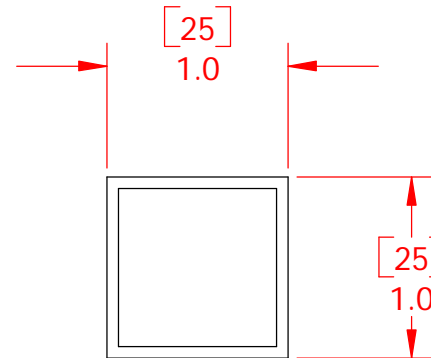
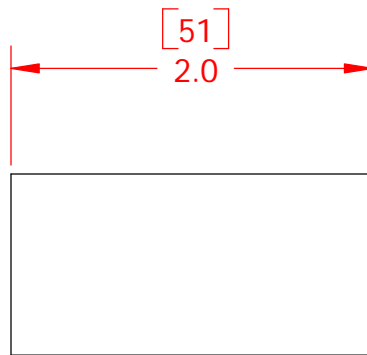
FOR EDUCATIONAL USE ONLY
THE INFORMATION CONTAINED IN THIS DRAWING IS NOT INTENDED FOR USE IN THE CONSTRUCTION OR MANUFACTURE OF PARTS. THE INFORMATION IS PROVIDED WITHOUT WARRANTY FOR EDUCATIONAL REFERENCE ONLY.

MATERIAL
**STEEL - RHS
1"x1", 16swg**
DO NOT SCALE DRAWING

BOOK CHASSIS

**REAR END BOTTOM
INNER CROSS RAIL
(Y)**

SIZE A	DWG. NO. Y	REV.
SCALE:1:1	WEIGHT:	SHEET 1 OF 1

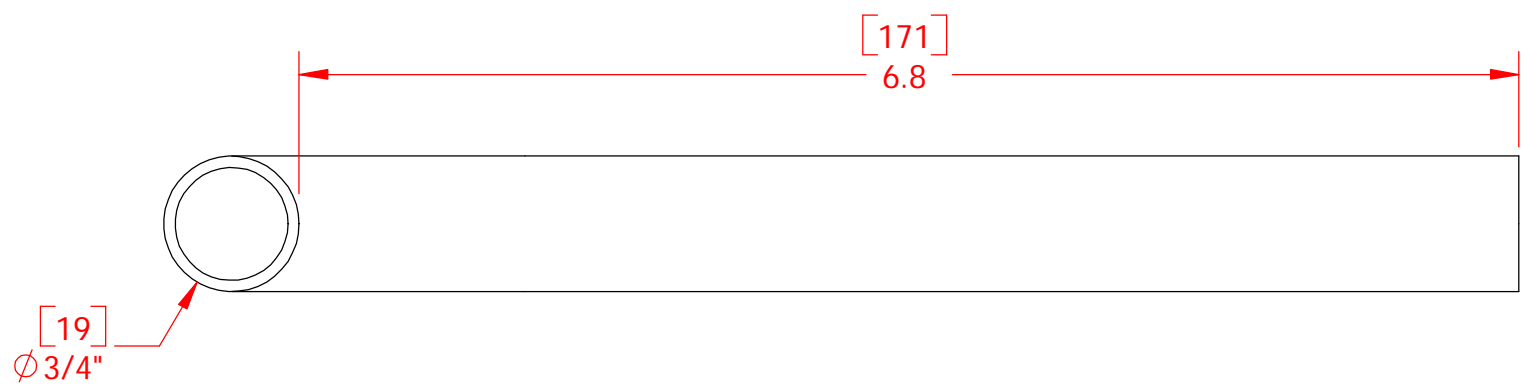
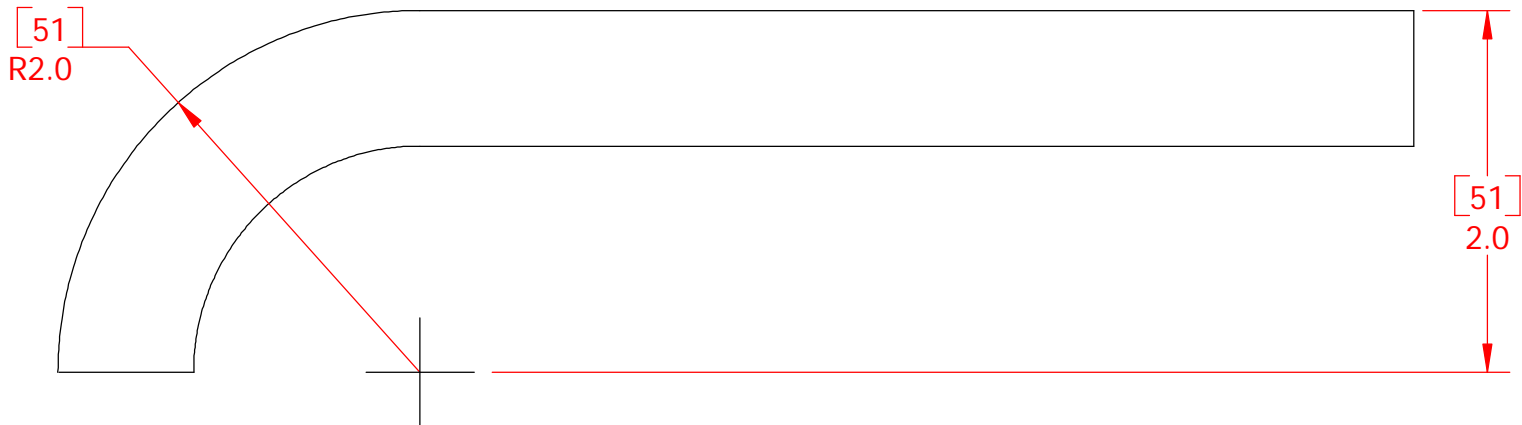


DIMENSIONS ARE IN INCHES
 TOLERANCES:
 FRACTIONAL $\pm 1/32$
 ANGULAR $\pm 1^\circ$
 TWO PLACE DECIMAL $\pm .03$
 THREE PLACE DECIMAL $\pm .010$

FOR EDUCATIONAL USE ONLY
 THE INFORMATION CONTAINED IN THIS DRAWING IS NOT INTENDED FOR USE IN THE CONSTRUCTION OR MANUFACTURE OF PARTS. THE INFORMATION IS PROVIDED WITHOUT WARRANTY FOR EDUCATIONAL REFERENCE ONLY.

MATERIAL
STEEL - RHS
1"x1", 16swg
 DO NOT SCALE DRAWING

BOOK CHASSIS		
REAR END BOTTOM INNER CROSS RAIL EXTENSION (Y_EXT)		
SIZE A	DWG. NO. Y_EXT	REV.
SCALE:1:1	WEIGHT:	SHEET 1 OF 1



DIMENSIONS ARE IN INCHES
 TOLERANCES:
 FRACTIONAL $\pm 1/32$
 ANGULAR $\pm 1^\circ$
 TWO PLACE DECIMAL $\pm .03$
 THREE PLACE DECIMAL $\pm .010$

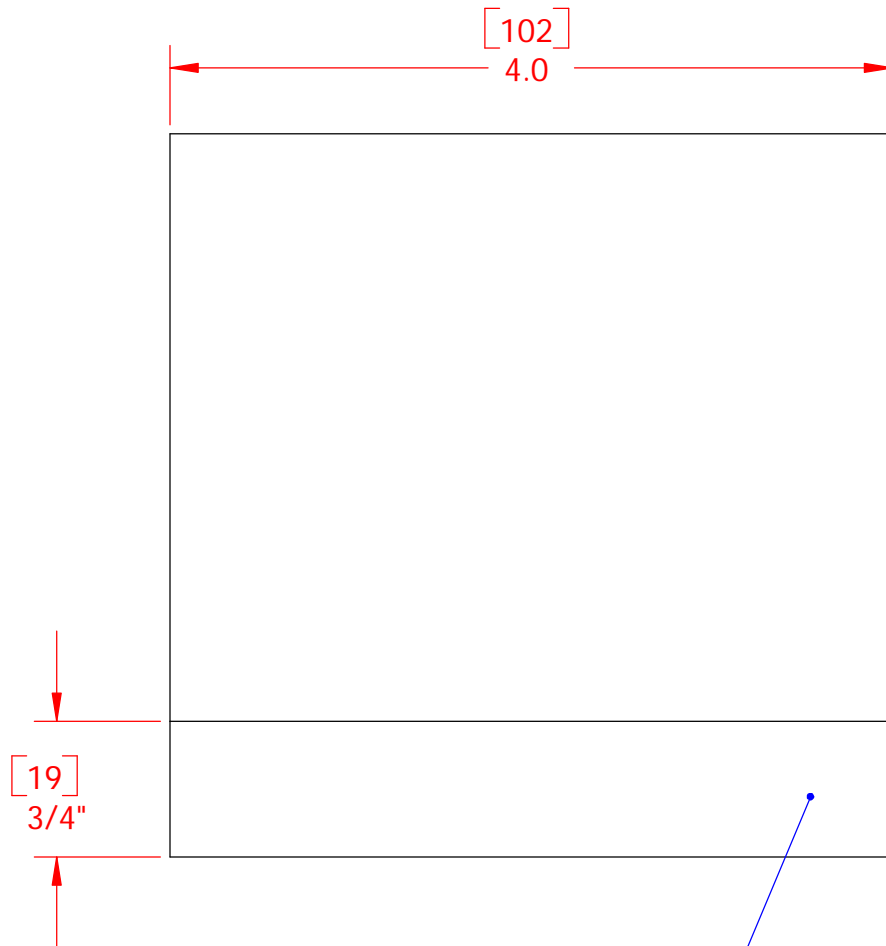
BOOK CHASSIS

REAR END BOTTOM CORNER TUBE

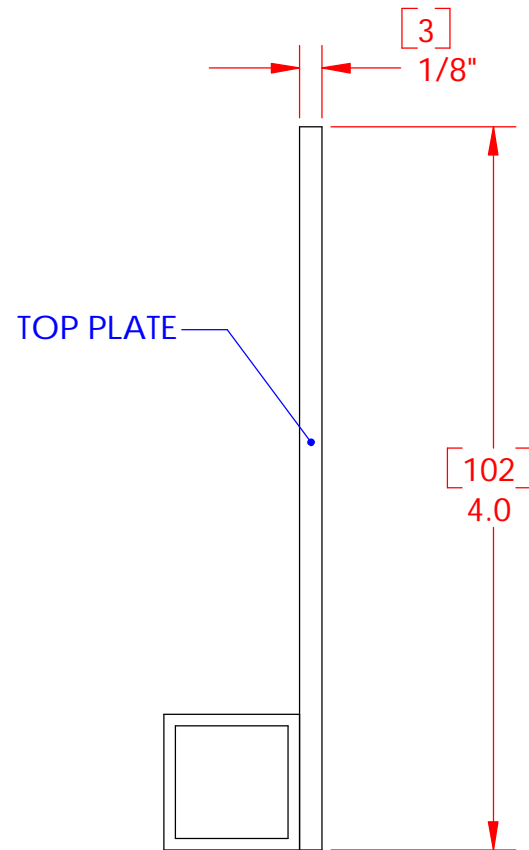
FOR EDUCATIONAL USE ONLY
 THE INFORMATION CONTAINED IN THIS DRAWING IS NOT INTENDED FOR USE IN THE CONSTRUCTION OR MANUFACTURE OF PARTS. THE INFORMATION IS PROVIDED WITHOUT WARRANTY FOR EDUCATIONAL REFERENCE ONLY.

MATERIAL
STEEL - TUBE
 $\phi 3/4"$
 DO NOT SCALE DRAWING

SIZE A	DWG. NO. rearBottomCorner	REV.
SCALE:1:1	WEIGHT:	SHEET 1 OF 1



TOP PLATE MEMBER



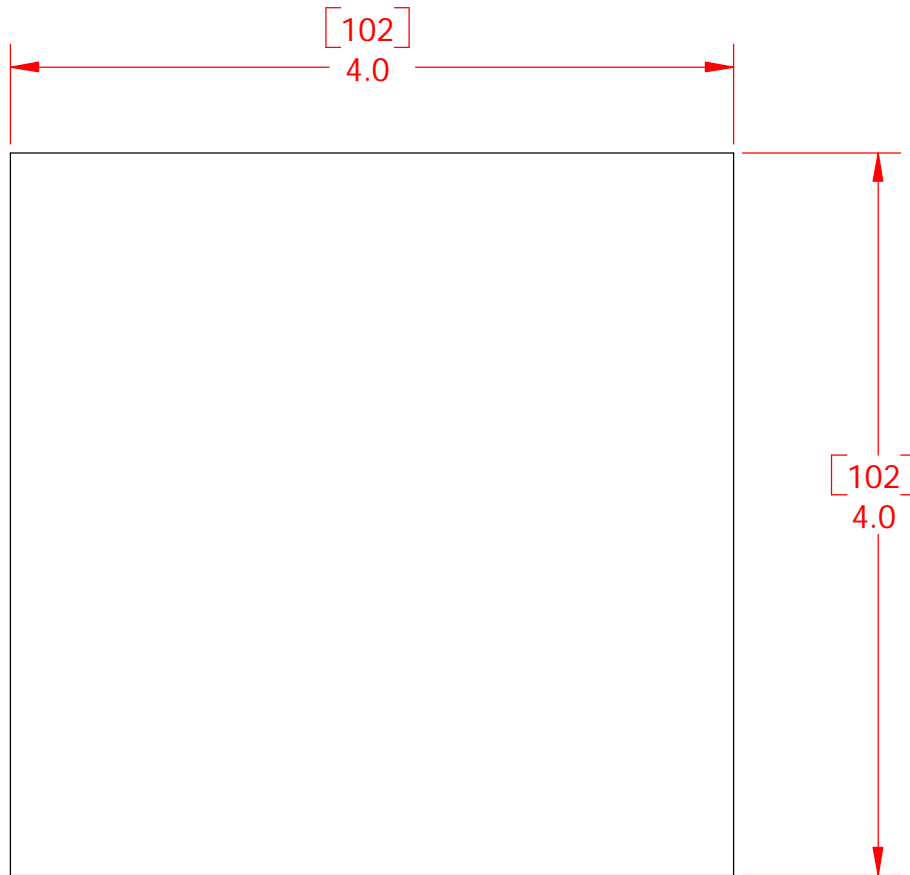
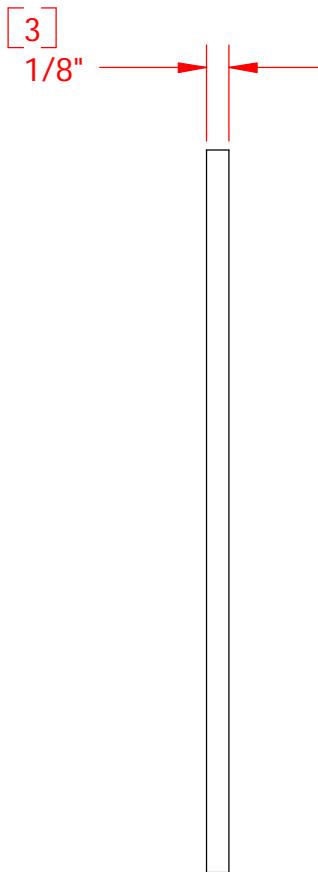
DIMENSIONS ARE IN INCHES
 TOLERANCES:
 FRACTIONAL $\pm 1/32$
 ANGULAR $\pm 1^\circ$
 TWO PLACE DECIMAL $\pm .03$
 THREE PLACE DECIMAL $\pm .010$

BOOK CHASSIS
REAR BULKHEAD
TOP PLATE ASSEMBLY

FOR EDUCATIONAL USE ONLY
 THE INFORMATION CONTAINED IN THIS DRAWING IS NOT INTENDED FOR USE IN THE CONSTRUCTION OR MANUFACTURE OF PARTS. THE INFORMATION IS PROVIDED WITHOUT WARRANTY FOR EDUCATIONAL REFERENCE ONLY.

MATERIAL
 DO NOT SCALE DRAWING

SIZE A	DWG. NO. rearPlateAssembly	REV.
SCALE:1:1	WEIGHT:	SHEET 1 OF 1

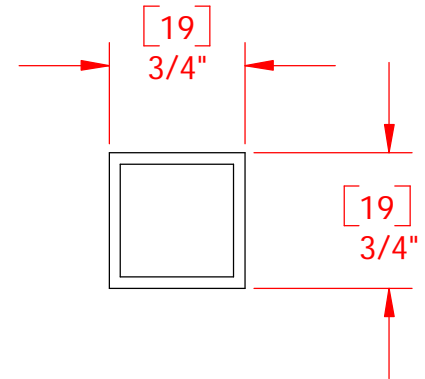
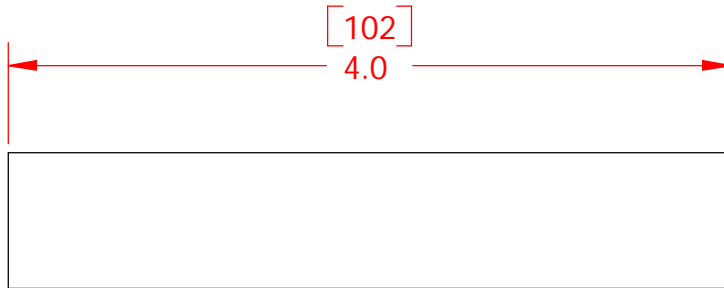


DIMENSIONS ARE IN INCHES
 TOLERANCES:
 FRACTIONAL $\pm 1/32$
 ANGULAR $\pm 1^\circ$
 TWO PLACE DECIMAL $\pm .03$
 THREE PLACE DECIMAL $\pm .010$

FOR EDUCATIONAL USE ONLY
 THE INFORMATION CONTAINED IN THIS DRAWING IS NOT INTENDED FOR USE IN THE CONSTRUCTION OR MANUFACTURE OF PARTS. THE INFORMATION IS PROVIDED WITHOUT WARRANTY FOR EDUCATIONAL REFERENCE ONLY.

MATERIAL
STEEL - PLATE
1/8" THICK
 DO NOT SCALE DRAWING

BOOK CHASSIS		
REAR BULKHEAD TOP PLATE		
SIZE A	DWG. NO. rearPlate	REV.
SCALE:1:1	WEIGHT:	SHEET 1 OF 1



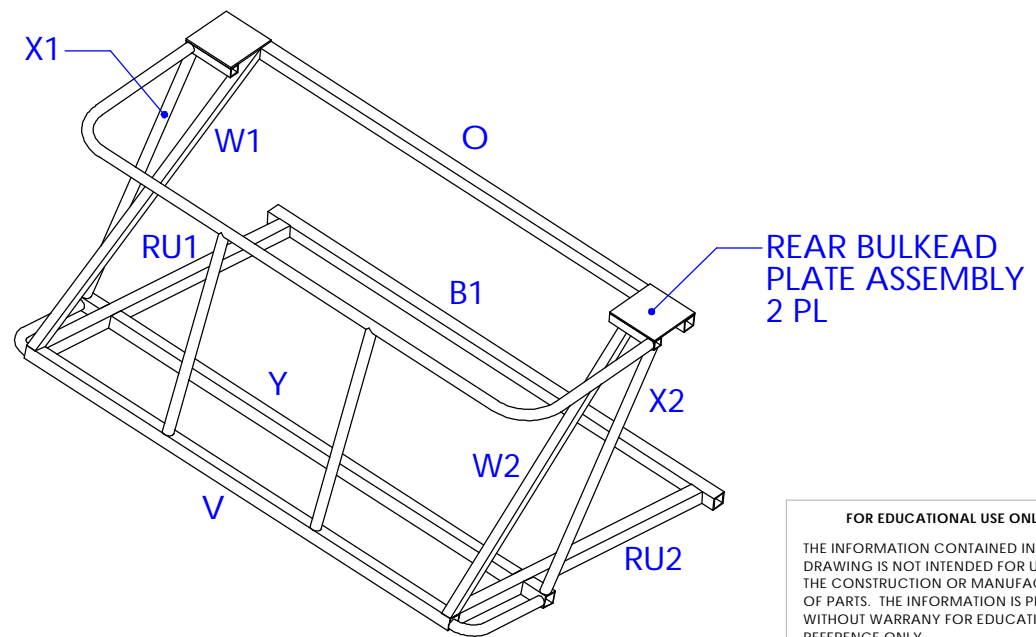
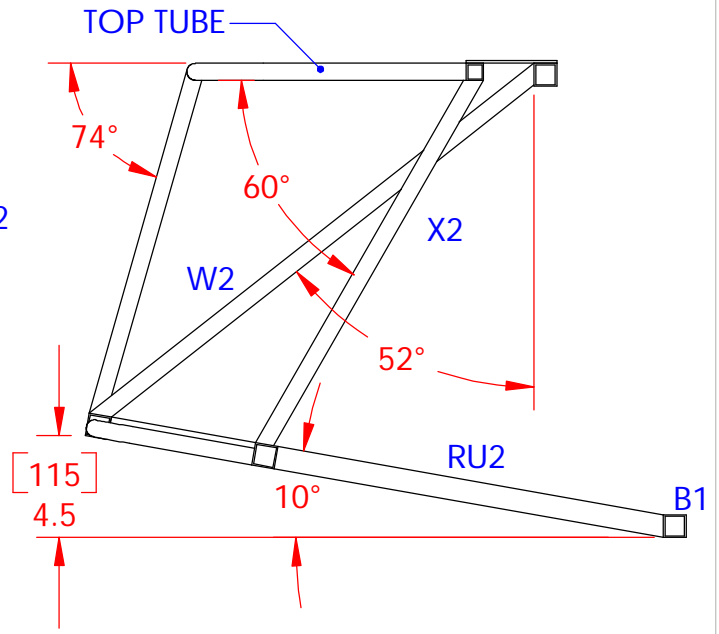
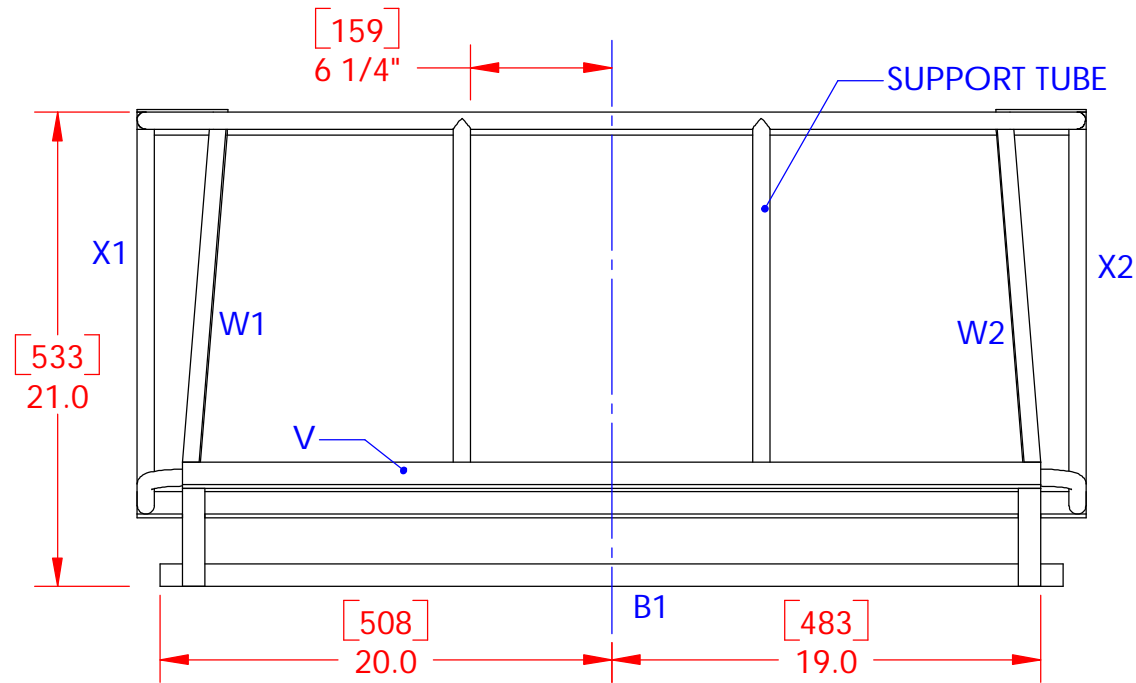
FOR EDUCATIONAL USE ONLY
 THE INFORMATION CONTAINED IN THIS DRAWING IS NOT INTENDED FOR USE IN THE CONSTRUCTION OR MANUFACTURE OF PARTS. THE INFORMATION IS PROVIDED WITHOUT WARRANTY FOR EDUCATIONAL REFERENCE ONLY.

DIMENSIONS ARE IN INCHES
 TOLERANCES:
 FRACTIONAL $\pm 1/32$
 ANGULAR $\pm 1^\circ$
 TWO PLACE DECIMAL $\pm .03$
 THREE PLACE DECIMAL $\pm .010$

MATERIAL
STEEL - RHS
3/4" x 3/4", 16swg

DO NOT SCALE DRAWING

BOOK CHASSIS		
REAR BULKHEAD TOP PLATE MEMBER		
SIZE A	DWG. NO. rearPlateMember	REV.
SCALE:1:1	WEIGHT:	SHEET 1 OF 1



NOTE: ALL ASSEMBLED PARTS FORWARD OF "B1" AND "O" HIDDEN FOR CLARITY.

DIMENSIONS ARE IN INCHES
 TOLERANCES:
 FRACTIONAL ± 1/32
 ANGULAR ± 1°
 TWO PLACE DECIMAL ± .03
 THREE PLACE DECIMAL ± .010

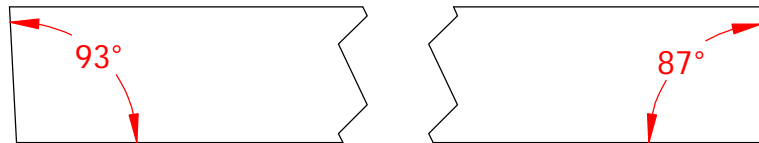
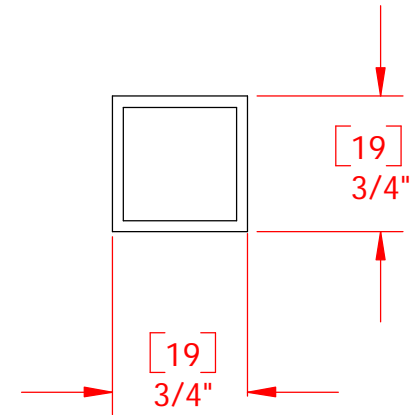
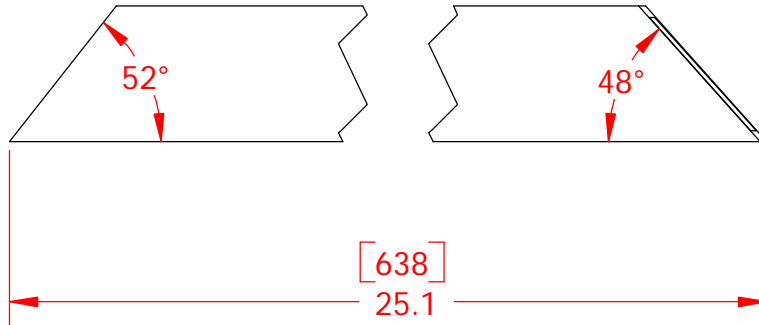
BOOK CHASSIS

REAR END LAYOUT

FOR EDUCATIONAL USE ONLY
 THE INFORMATION CONTAINED IN THIS DRAWING IS NOT INTENDED FOR USE IN THE CONSTRUCTION OR MANUFACTURE OF PARTS. THE INFORMATION IS PROVIDED WITHOUT WARRANTY FOR EDUCATIONAL REFERENCE ONLY.

MATERIAL
 DO NOT SCALE DRAWING

SIZE A	DWG. NO. bookFrame	REV.
SCALE:1:8	WEIGHT:	SHEET 1 OF 1



DIMENSIONS ARE IN INCHES
 TOLERANCES:
 FRACTIONAL $\pm 1/32$
 ANGULAR $\pm 1^\circ$
 TWO PLACE DECIMAL $\pm .03$
 THREE PLACE DECIMAL $\pm .010$

BOOK CHASSIS

REAR END LEFT SIDE DIAGONAL SUPPORT MEMBER (W1)

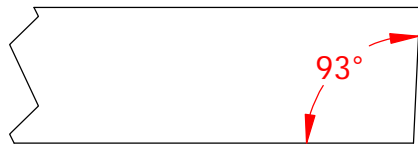
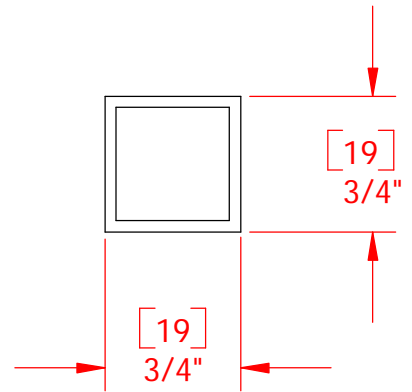
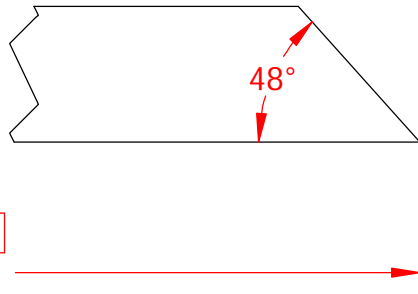
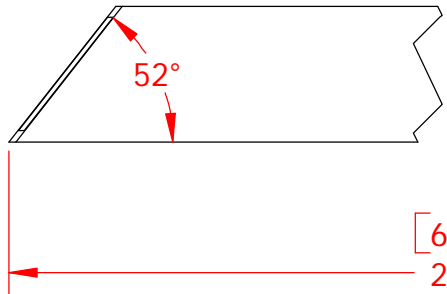
FOR EDUCATIONAL USE ONLY

THE INFORMATION CONTAINED IN THIS
 DRAWING IS NOT INTENDED FOR USE IN
 THE CONSTRUCTION OR MANUFACTURE
 OF PARTS. THE INFORMATION IS PROVIDED
 WITHOUT WARRANTY FOR EDUCATIONAL
 REFERENCE ONLY.

MATERIAL
STEEL - RHS
3/4" X 3/4", 16swg

DO NOT SCALE DRAWING

SIZE A	DWG. NO. W1	REV.
SCALE:1:1	WEIGHT:	SHEET 1 OF 1

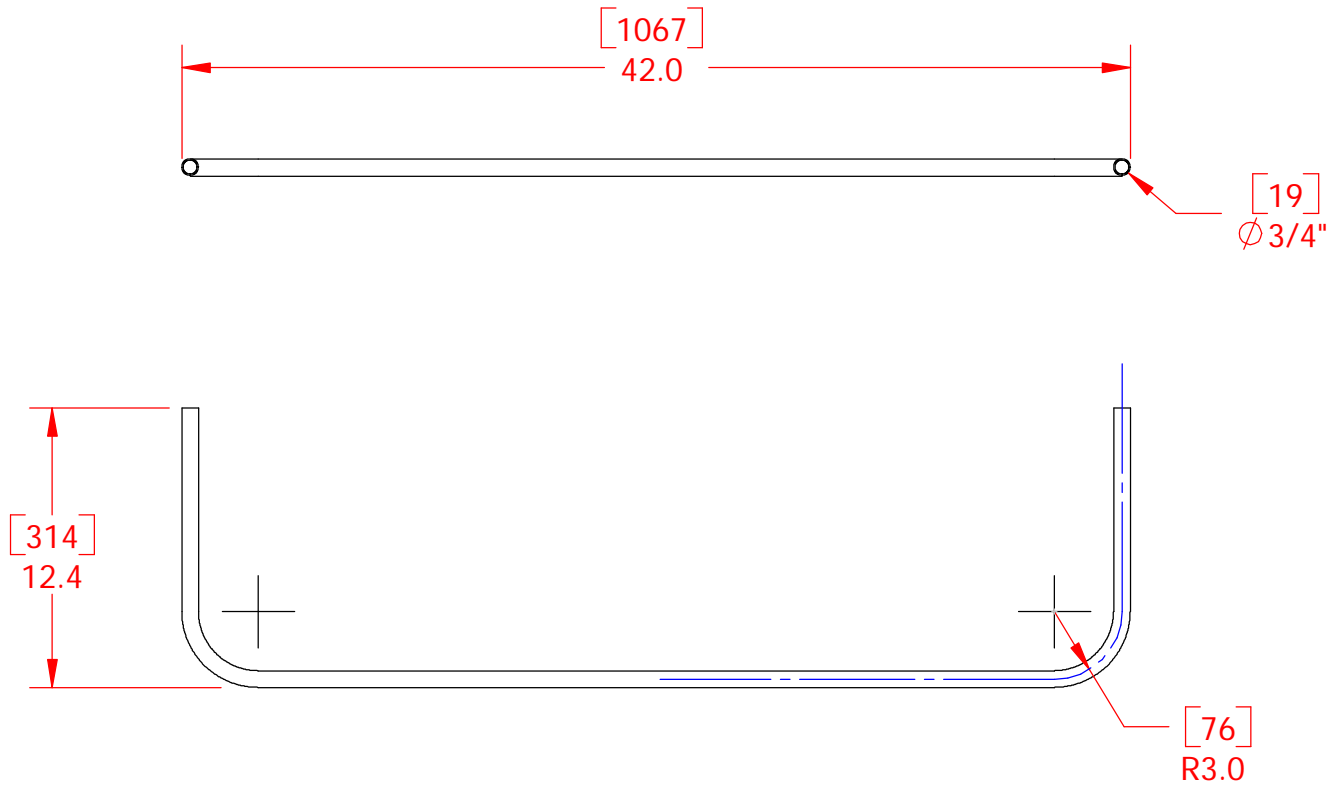


DIMENSIONS ARE IN INCHES
 TOLERANCES:
 FRACTIONAL $\pm 1/32$
 ANGULAR $\pm 1^\circ$
 TWO PLACE DECIMAL $\pm .03$
 THREE PLACE DECIMAL $\pm .010$

FOR EDUCATIONAL USE ONLY
 THE INFORMATION CONTAINED IN THIS DRAWING IS NOT INTENDED FOR USE IN THE CONSTRUCTION OR MANUFACTURE OF PARTS. THE INFORMATION IS PROVIDED WITHOUT WARRANTY FOR EDUCATIONAL REFERENCE ONLY.

MATERIAL
STEEL - RHS
3/4" X 3/4", 16swg
 DO NOT SCALE DRAWING

BOOK CHASSIS		
REAR END RIGHT SIDE DIAGONAL SUPPORT MEMBER (W2)		
SIZE A	DWG. NO. W2	REV.
SCALE:1:1	WEIGHT:	SHEET 1 OF 1



FOR EDUCATIONAL USE ONLY
 THE INFORMATION CONTAINED IN THIS DRAWING IS NOT INTENDED FOR USE IN THE CONSTRUCTION OR MANUFACTURE OF PARTS. THE INFORMATION IS PROVIDED WITHOUT WARRANTY FOR EDUCATIONAL REFERENCE ONLY.

DIMENSIONS ARE IN INCHES
 TOLERANCES:
 FRACTIONAL ± 1/32
 ANGULAR ± 1°
 TWO PLACE DECIMAL ± .03
 THREE PLACE DECIMAL ± .010

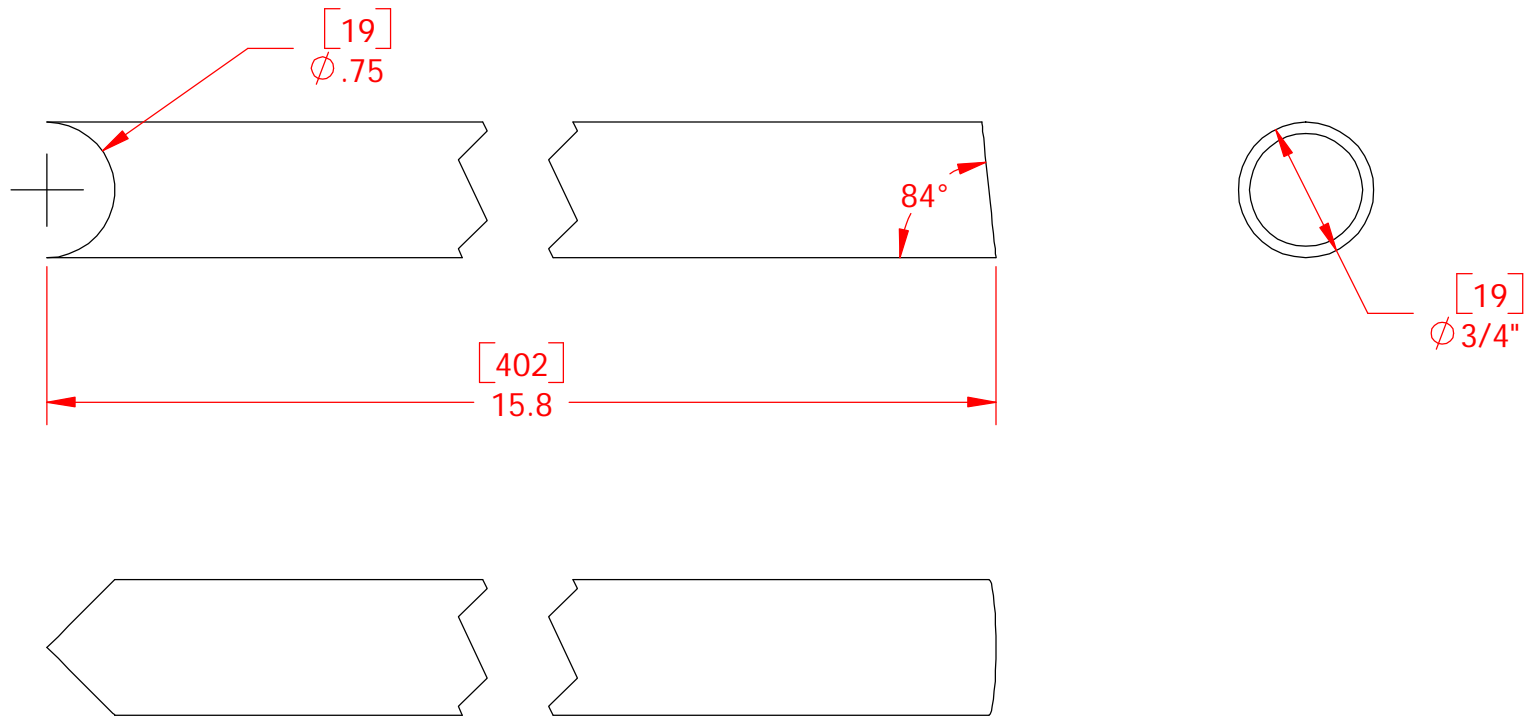
MATERIAL
STEEL - TUBE
 $\Phi 3/4"$

DO NOT SCALE DRAWING

BOOK CHASSIS

**REAR END
 TOP TUBE**

SIZE A	DWG. NO. rearTopTube	REV.
SCALE:1:8	WEIGHT:	SHEET 1 OF 1



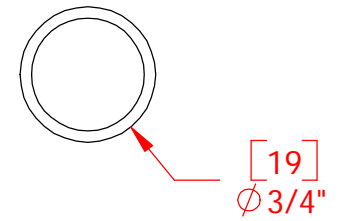
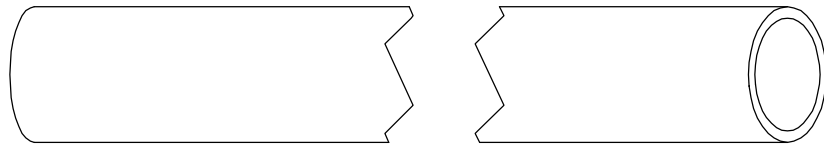
DIMENSIONS ARE IN INCHES
 TOLERANCES:
 FRACTIONAL $\pm 1/32$
 ANGULAR $\pm 1^\circ$
 TWO PLACE DECIMAL $\pm .03$
 THREE PLACE DECIMAL $\pm .010$

BOOK CHASSIS
REAR END UPRIGHT
SUPPORT TUBE
(X3 & X4)

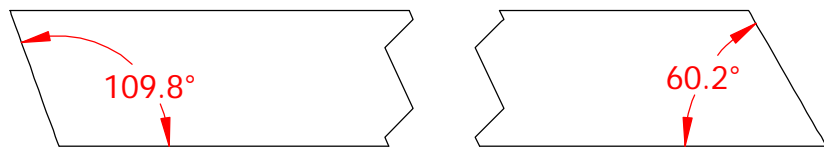
FOR EDUCATIONAL USE ONLY
 THE INFORMATION CONTAINED IN THIS DRAWING IS NOT INTENDED FOR USE IN THE CONSTRUCTION OR MANUFACTURE OF PARTS. THE INFORMATION IS PROVIDED WITHOUT WARRANTY FOR EDUCATIONAL REFERENCE ONLY.

MATERIAL
STEEL - TUBE
 $\phi 3/4$
 DO NOT SCALE DRAWING

SIZE A	DWG. NO. X3_4	REV.
SCALE:1:1	WEIGHT:	SHEET 1 OF 1



NOTE: OVERALL LENGTH = 18.9 [480]



DIMENSIONS ARE IN INCHES
 TOLERANCES:
 FRACTIONAL ± 1/32
 ANGULAR ± 1°
 TWO PLACE DECIMAL ± .03
 THREE PLACE DECIMAL ± .010

BOOK CHASSIS

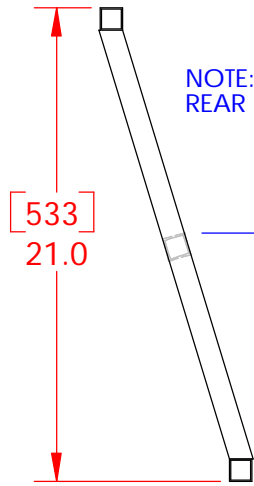
**REAR END DIAGONAL
 BODY PANEL SUPPORT
 (X1 & X2)**

FOR EDUCATIONAL USE ONLY
 THE INFORMATION CONTAINED IN THIS
 DRAWING IS NOT INTENDED FOR USE IN
 THE CONSTRUCTION OR MANUFACTURE
 OF PARTS. THE INFORMATION IS PROVIDED
 WITHOUT WARRANTY FOR EDUCATIONAL
 REFERENCE ONLY.

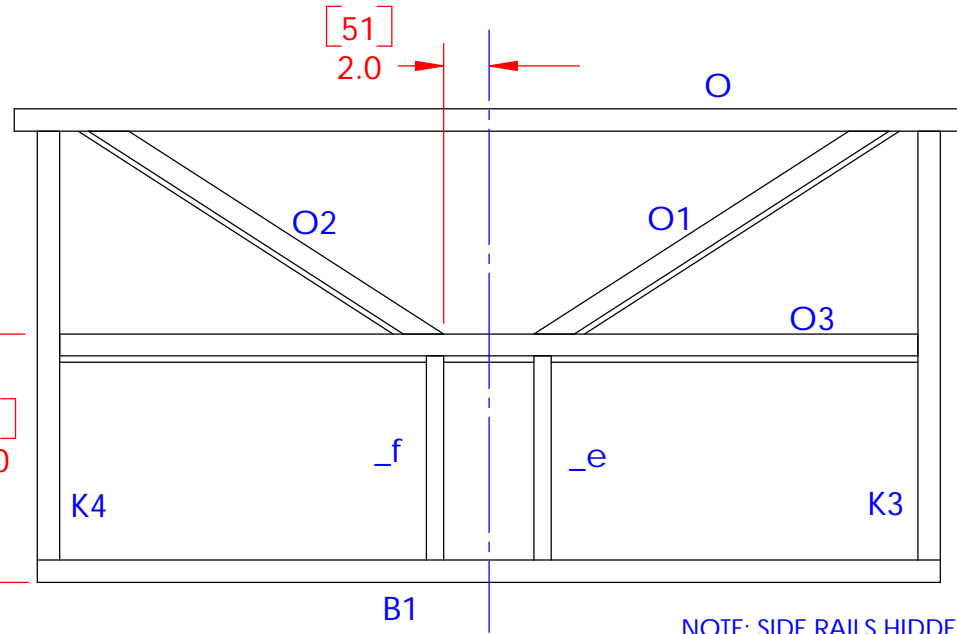
MATERIAL
**STEEL - TUBE
 3/4" DIAM.**

DO NOT SCALE DRAWING

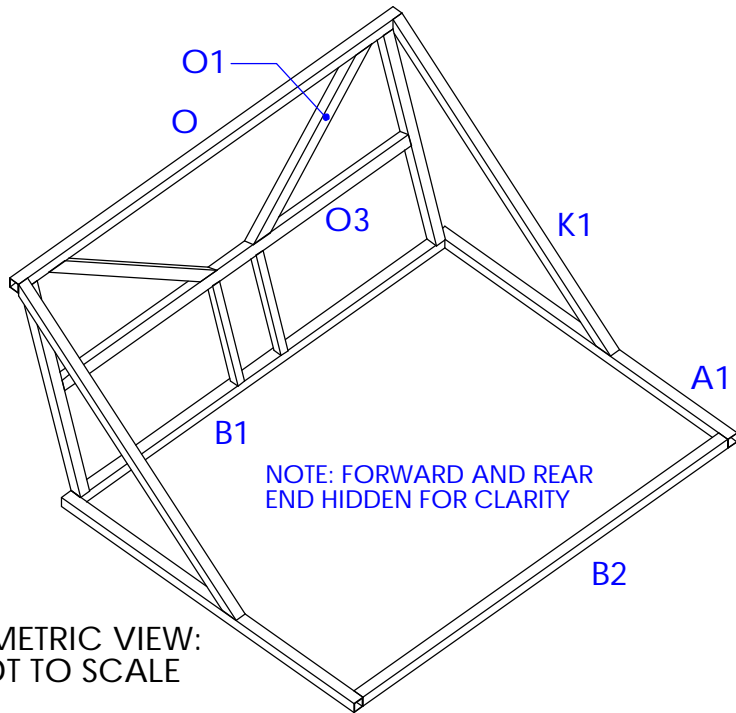
SIZE A	DWG. NO. X1_2	REV.
SCALE:1:1	WEIGHT:	SHEET 1 OF 1



NOTE: SIDE VIEW OF REAR BULKHEAD ONLY



NOTE: SIDE RAILS HIDDEN IN FRONT VIEW FOR CLARIDY



NOTE: FORWARD AND REAR END HIDDEN FOR CLARITY

ISOMETRIC VIEW:
NOT TO SCALE

DIMENSIONS ARE IN INCHES
TOLERANCES:
FRACTIONAL $\pm 1/32$
ANGULAR $\pm 1^\circ$
TWO PLACE DECIMAL $\pm .03$
THREE PLACE DECIMAL $\pm .010$

MATERIAL

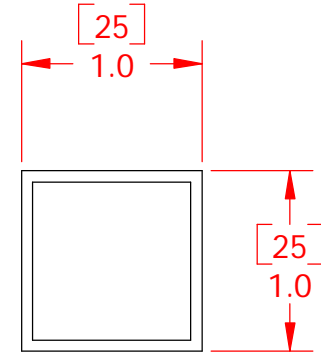
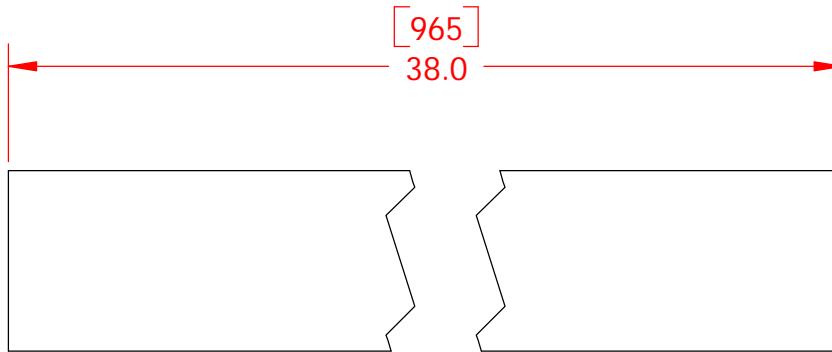
DO NOT SCALE DRAWING

BOOK CHASSIS

REAR BULKHEAD LAYOUT

SIZE A	DWG. NO. bookFrame	REV.
SCALE:1:1	WEIGHT:	SHEET 1 OF 1

FOR EDUCATIONAL USE ONLY
THE INFORMATION CONTAINED IN THIS DRAWING IS NOT INTENDED FOR USE IN THE CONSTRUCTION OR MANUFACTURE OF PARTS. THE INFORMATION IS PROVIDED WITHOUT WARRANTY FOR EDUCATIONAL REFERENCE ONLY.



DIMENSIONS ARE IN INCHES
 TOLERANCES:
 FRACTIONAL $\pm 1/32$
 ANGULAR $\pm 1^\circ$
 TWO PLACE DECIMAL $\pm .03$
 THREE PLACE DECIMAL $\pm .010$

BOOK CHASSIS

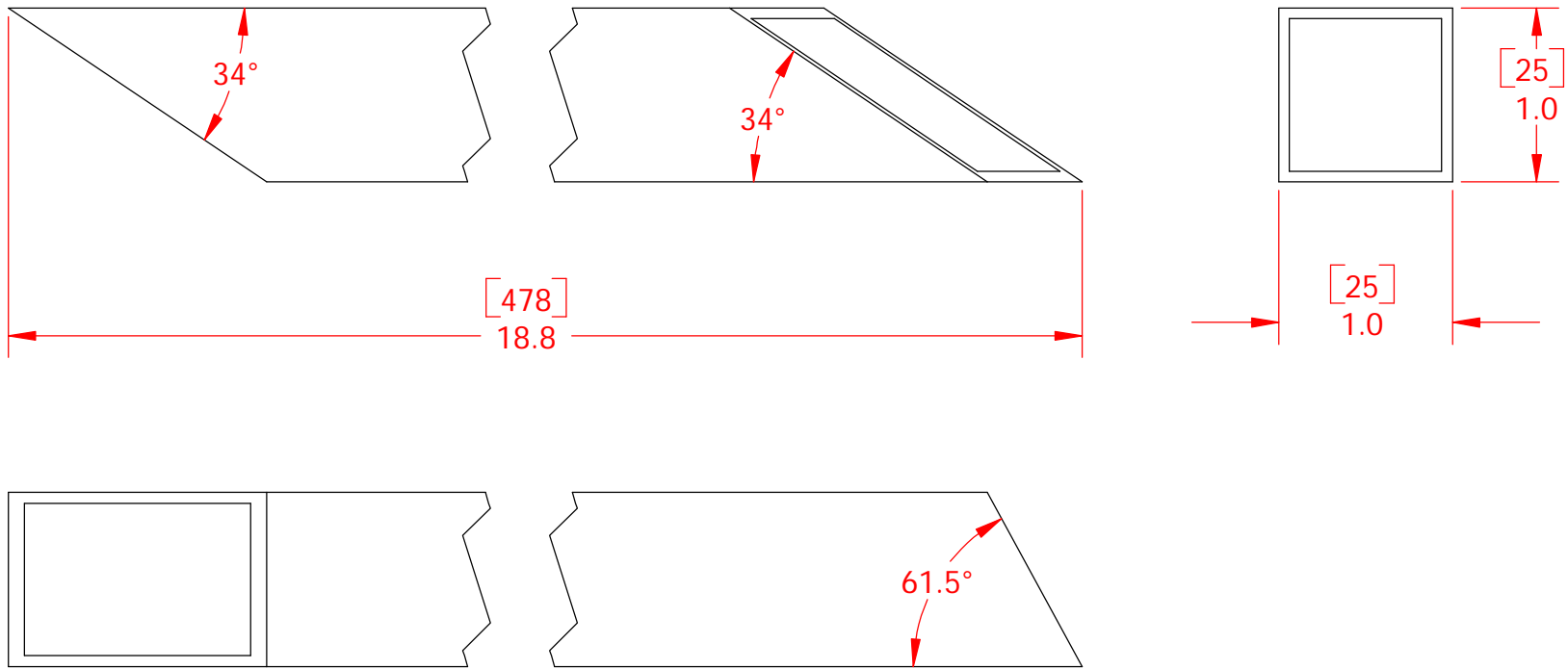
REAR BULKHEAD CENTER CROSS RAIL (O3)

FOR EDUCATIONAL USE ONLY
 THE INFORMATION CONTAINED IN THIS
 DRAWING IS NOT INTENDED FOR USE IN
 THE CONSTRUCTION OR MANUFACTURE
 OF PARTS. THE INFORMATION IS PROVIDED
 WITHOUT WARRANTY FOR EDUCATIONAL
 REFERENCE ONLY.

MATERIAL
**STEEL - RHS
 1"x1", 16swg**

DO NOT SCALE DRAWING

SIZE A	DWG. NO. O3	REV.
SCALE:1:1	WEIGHT:	SHEET 1 OF 1

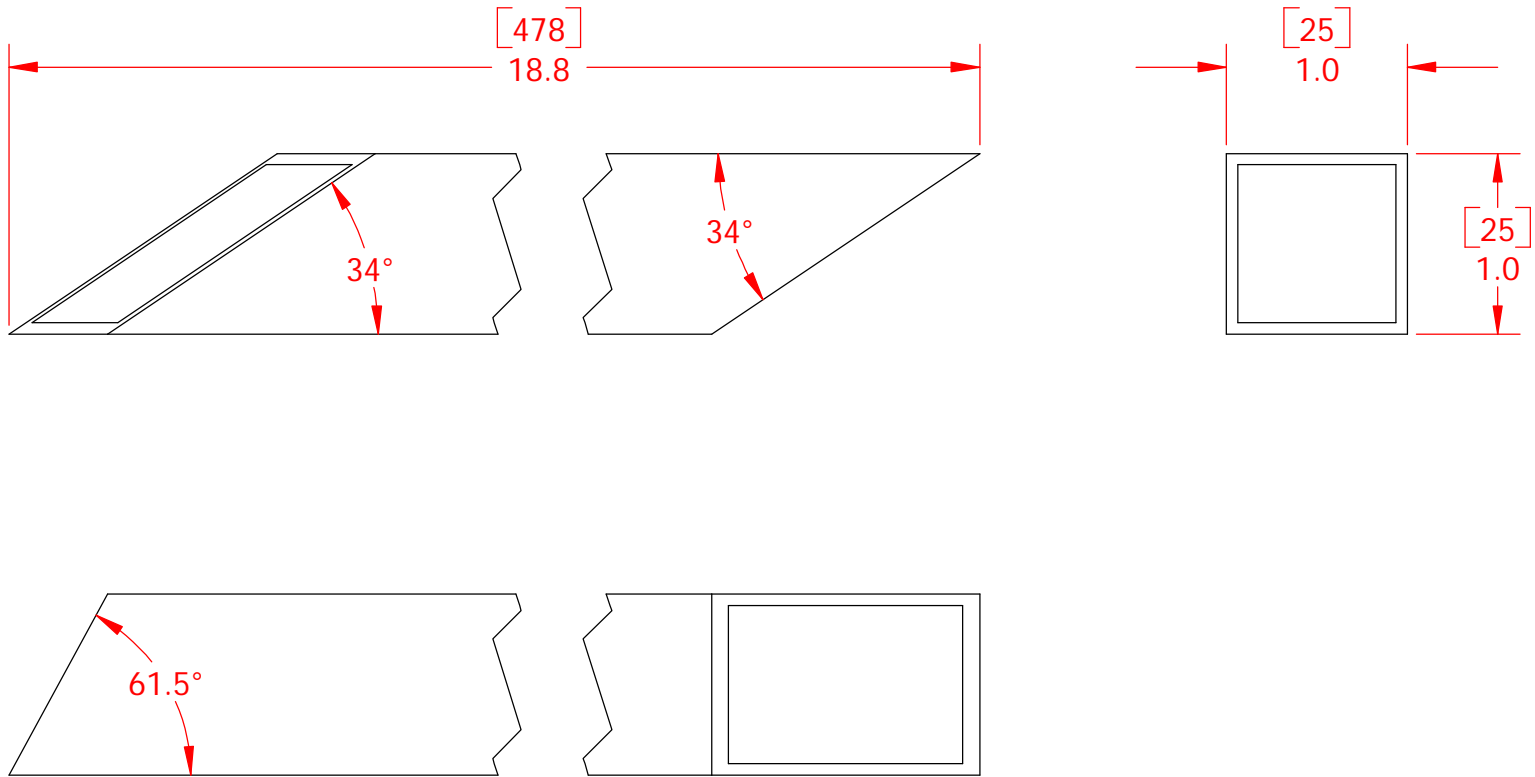


DIMENSIONS ARE IN INCHES
 TOLERANCES:
 FRACTIONAL ± 1/32
 ANGULAR ± 1°
 TWO PLACE DECIMAL ± .03
 THREE PLACE DECIMAL ± .010

FOR EDUCATIONAL USE ONLY
 THE INFORMATION CONTAINED IN THIS DRAWING IS NOT INTENDED FOR USE IN THE CONSTRUCTION OR MANUFACTURE OF PARTS. THE INFORMATION IS PROVIDED WITHOUT WARRANTY FOR EDUCATIONAL REFERENCE ONLY.

MATERIAL
STEEL - RHS
1"X1", 16swg
 DO NOT SCALE DRAWING

BOOK CHASSIS		
REAR BULHEAD LEFT SIDE DIAGONAL SUPPORT MEMBER (O1)		
SIZE A	DWG. NO. O1	REV.
SCALE:1:1	WEIGHT:	SHEET 1 OF 1



DIMENSIONS ARE IN INCHES
 TOLERANCES:
 FRACTIONAL ± 1/32
 ANGULAR ± 1°
 TWO PLACE DECIMAL ± .03
 THREE PLACE DECIMAL ± .010

BOOK CHASSIS

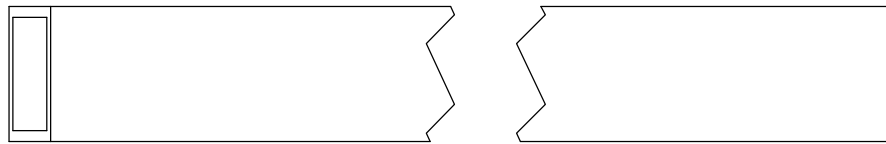
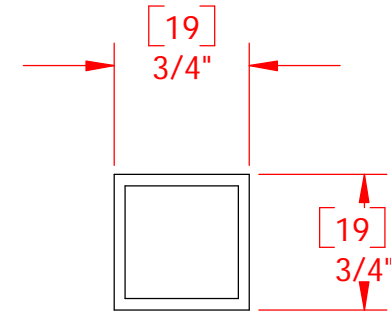
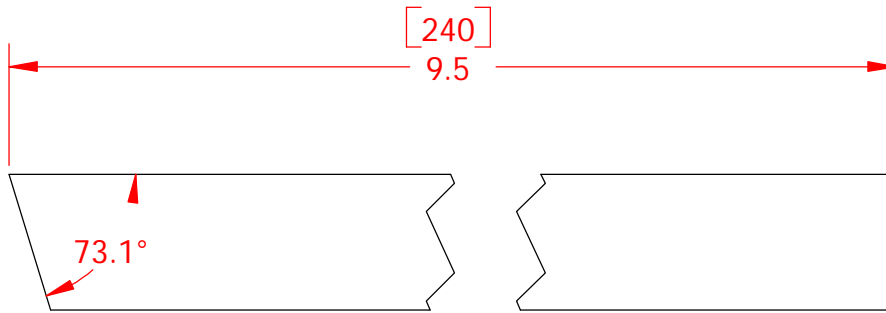
REAR BULKHEAD RIGHT SIDE DIAGONAL SUPPORT MEMBER (O2)

FOR EDUCATIONAL USE ONLY
 THE INFORMATION CONTAINED IN THIS
 DRAWING IS NOT INTENDED FOR USE IN
 THE CONSTRUCTION OR MANUFACTURE
 OF PARTS. THE INFORMATION IS PROVIDED
 WITHOUT WARRANTY FOR EDUCATIONAL
 REFERENCE ONLY.

MATERIAL
**STEEL - RHS
 1"X1", 16swg**

DO NOT SCALE DRAWING

SIZE A	DWG. NO. O2	REV.
SCALE:1:1	WEIGHT:	SHEET 1 OF 1



DIMENSIONS ARE IN INCHES
 TOLERANCES:
 FRACTIONAL $\pm 1/32$
 ANGULAR $\pm 1^\circ$
 TWO PLACE DECIMAL $\pm .03$
 THREE PLACE DECIMAL $\pm .010$

BOOK CHASSIS

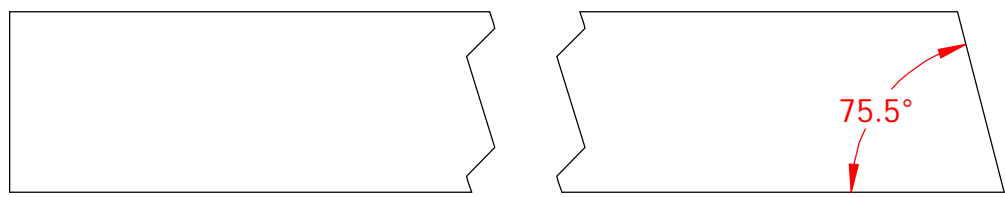
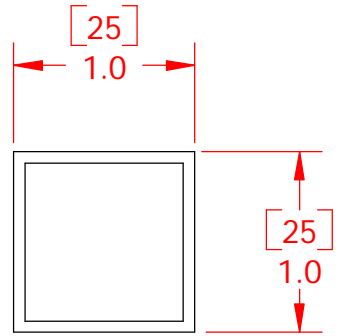
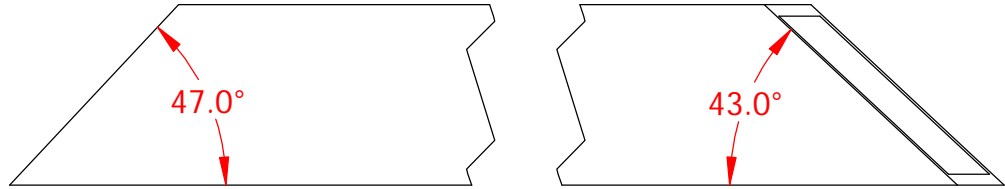
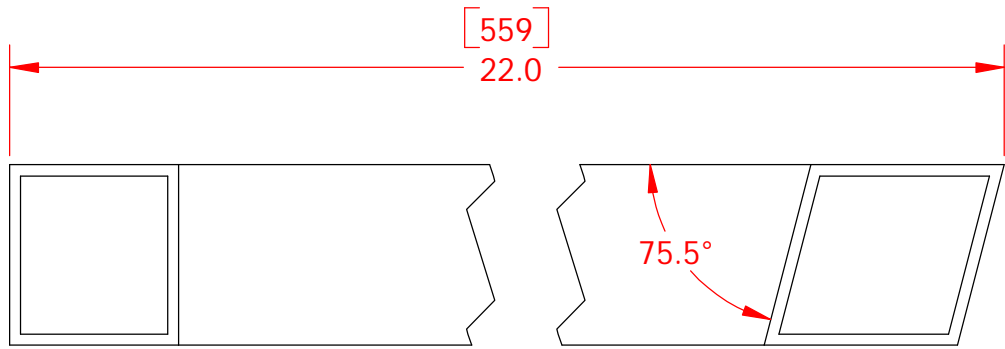
REAR BULKHEAD TRANSMISSION TUNNEL UPRIGHT (e&f)

FOR EDUCATIONAL USE ONLY
 THE INFORMATION CONTAINED IN THIS
 DRAWING IS NOT INTENDED FOR USE IN
 THE CONSTRUCTION OR MANUFACTURE
 OF PARTS. THE INFORMATION IS PROVIDED
 WITHOUT WARRANTY FOR EDUCATIONAL
 REFERENCE ONLY.

MATERIAL
STEEL - RHS
3/4"X3/4", 16swg

DO NOT SCALE DRAWING

SIZE A	DWG. NO. trans_e_f	REV.
SCALE:1:1	WEIGHT:	SHEET 1 OF 1



DIMENSIONS ARE IN INCHES
 TOLERANCES:
 FRACTIONAL $\pm 1/32$
 ANGULAR $\pm 1^\circ$
 TWO PLACE DECIMAL $\pm .03$
 THREE PLACE DECIMAL $\pm .010$

BOOK CHASSIS

REAR END DIAGONAL SUPPORT MEMBER (Z)

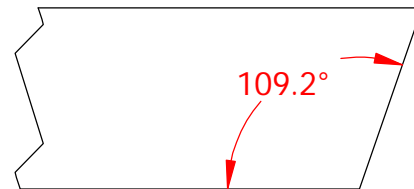
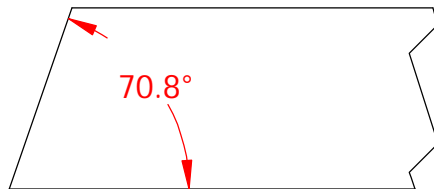
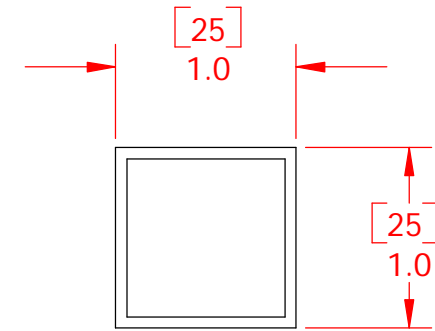
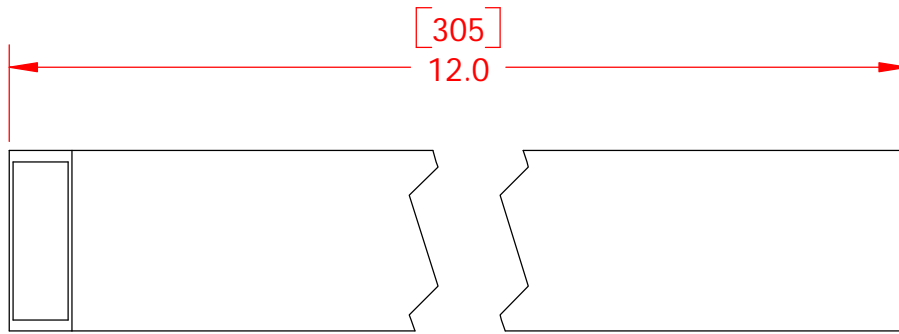
FOR EDUCATIONAL USE ONLY

THE INFORMATION CONTAINED IN THIS DRAWING IS NOT INTENDED FOR USE IN THE CONSTRUCTION OR MANUFACTURE OF PARTS. THE INFORMATION IS PROVIDED WITHOUT WARRANTY FOR EDUCATIONAL REFERENCE ONLY.

MATERIAL
STEEL - RHS
1"x1", 16swg

DO NOT SCALE DRAWING

SIZE A	DWG. NO. Z	REV.
SCALE:1:1	WEIGHT:	SHEET 1 OF 1



DIMENSIONS ARE IN INCHES
 TOLERANCES:
 FRACTIONAL $\pm 1/32$
 ANGULAR $\pm 1^\circ$
 TWO PLACE DECIMAL $\pm .03$
 THREE PLACE DECIMAL $\pm .010$

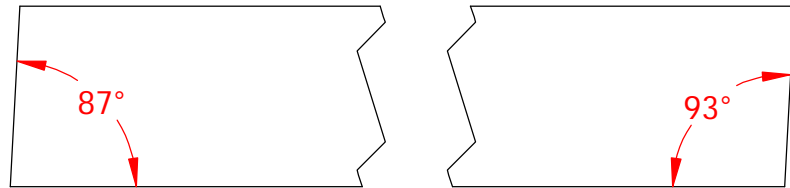
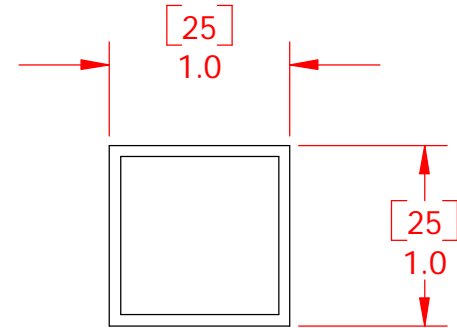
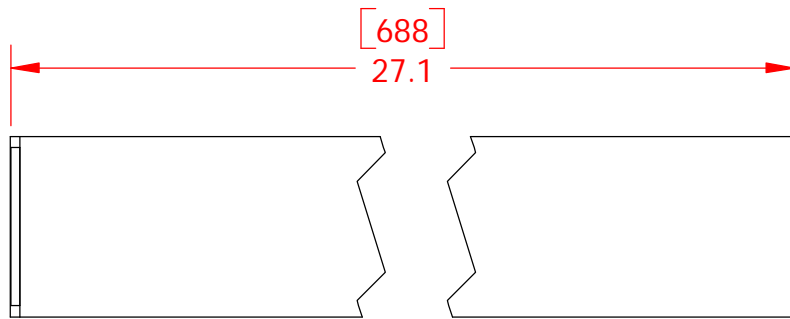
BOOK CHASSIS

FRONT SUSPENSION SUPPORT MEMBER (FU1&FU2)

FOR EDUCATIONAL USE ONLY
 THE INFORMATION CONTAINED IN THIS
 DRAWING IS NOT INTENDED FOR USE IN
 THE CONSTRUCTION OR MANUFACTURE
 OF PARTS. THE INFORMATION IS PROVIDED
 WITHOUT WARRANTY FOR EDUCATIONAL
 REFERENCE ONLY.

MATERIAL
STEEL - RHS
1"X1", 16swg
 DO NOT SCALE DRAWING

SIZE A	DWG. NO. FU	REV.
SCALE:1:1	WEIGHT:	SHEET 1 OF 1



DIMENSIONS ARE IN INCHES
 TOLERANCES:
 FRACTIONAL ± 1/32
 ANGULAR ± 1°
 TWO PLACE DECIMAL ± .03
 THREE PLACE DECIMAL ± .010

BOOK CHASSIS

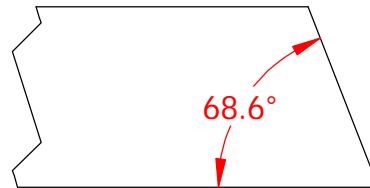
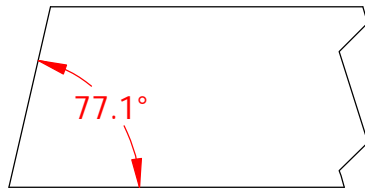
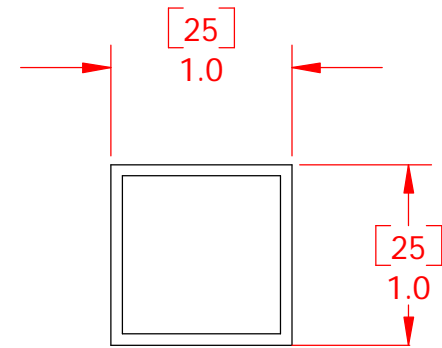
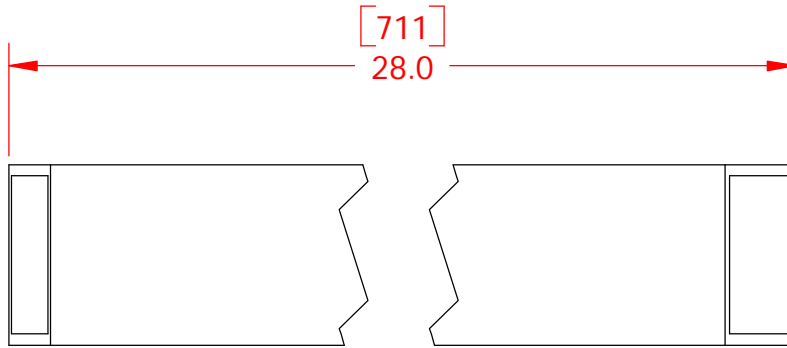
ENGINE MOUNT BOTTOM INSIDE RAIL (G1 & G2)

FOR EDUCATIONAL USE ONLY
 THE INFORMATION CONTAINED IN THIS
 DRAWING IS NOT INTENDED FOR USE IN
 THE CONSTRUCTION OR MANUFACTURE
 OF PARTS. THE INFORMATION IS PROVIDED
 WITHOUT WARRANTY FOR EDUCATIONAL
 REFERENCE ONLY.

MATERIAL
**STEEL - RHS
 1"x1", 16swg**

DO NOT SCALE DRAWING

SIZE A	DWG. NO. G	REV.
SCALE:1:1	WEIGHT:	SHEET 1 OF 1



DIMENSIONS ARE IN INCHES
 TOLERANCES:
 FRACTIONAL $\pm 1/32$
 ANGULAR $\pm 1^\circ$
 TWO PLACE DECIMAL $\pm .03$
 THREE PLACE DECIMAL $\pm .010$

BOOK CHASSIS

ENGINE BAY STRENGTH MEMBER (R)

FOR EDUCATIONAL USE ONLY
 THE INFORMATION CONTAINED IN THIS
 DRAWING IS NOT INTENDED FOR USE IN
 THE CONSTRUCTION OR MANUFACTURE
 OF PARTS. THE INFORMATION IS PROVIDED
 WITHOUT WARRANTY FOR EDUCATIONAL
 REFERENCE ONLY.

MATERIAL
STEEL - RHS
1"x1", 16swg
 DO NOT SCALE DRAWING

SIZE A	DWG. NO. R	REV.
SCALE:1:1		